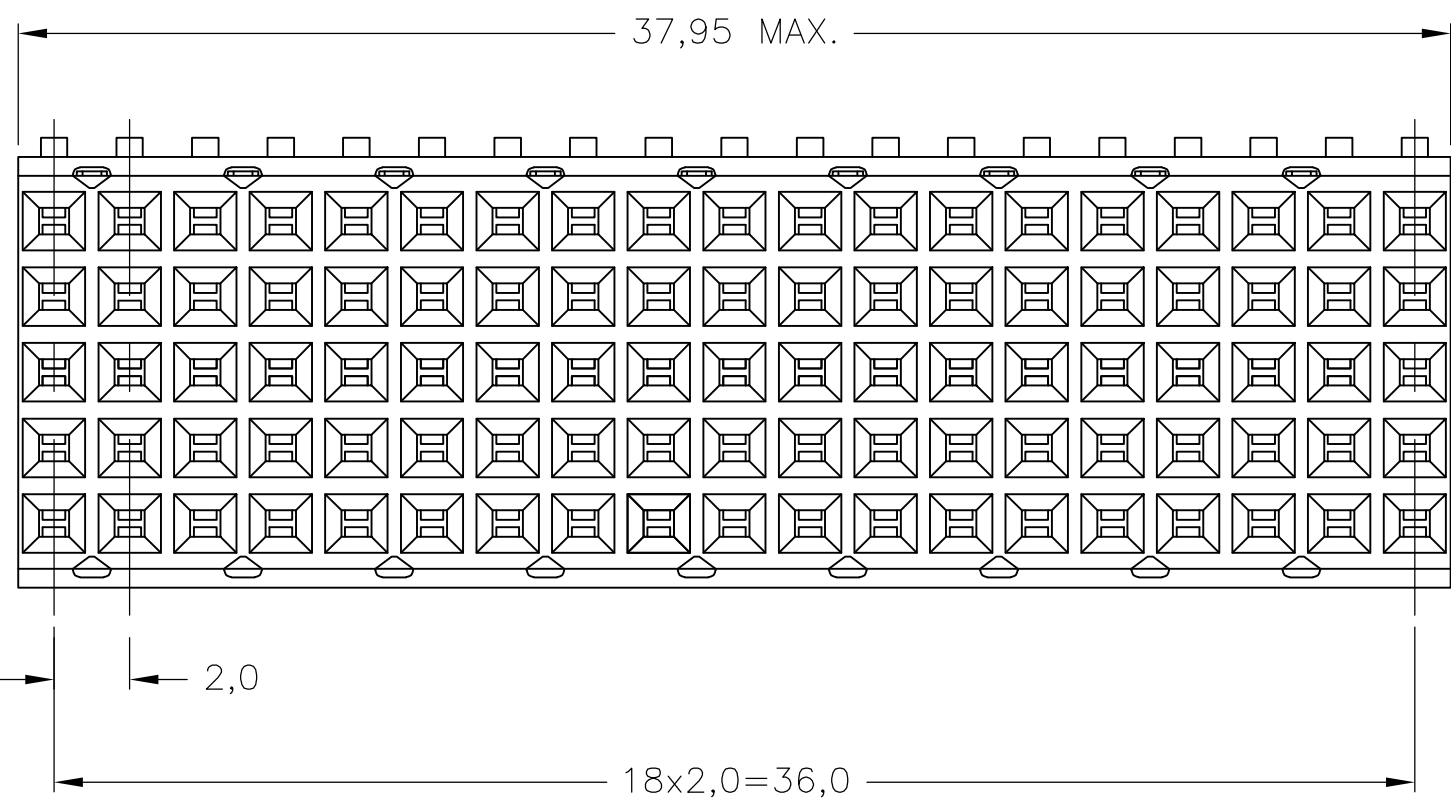
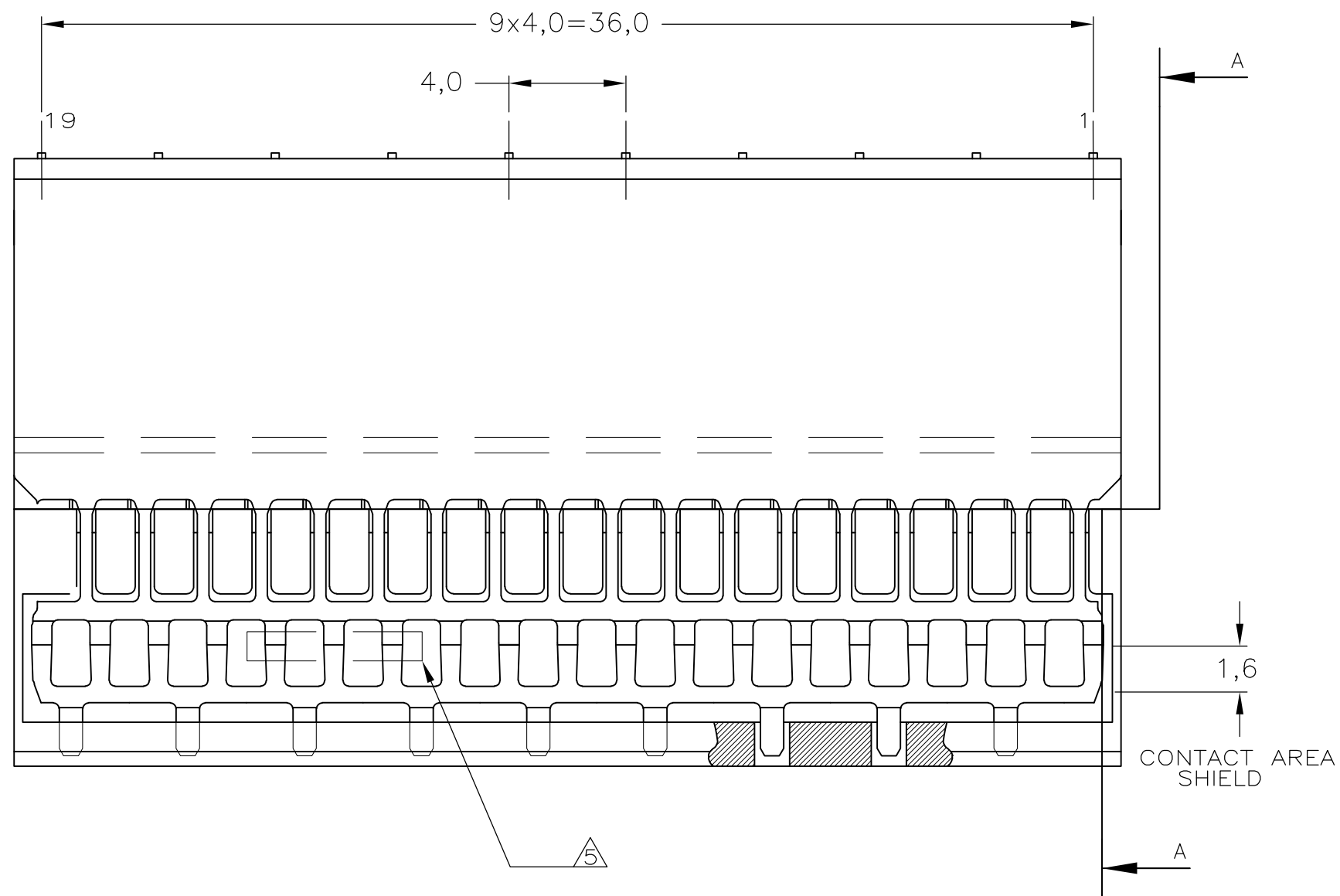
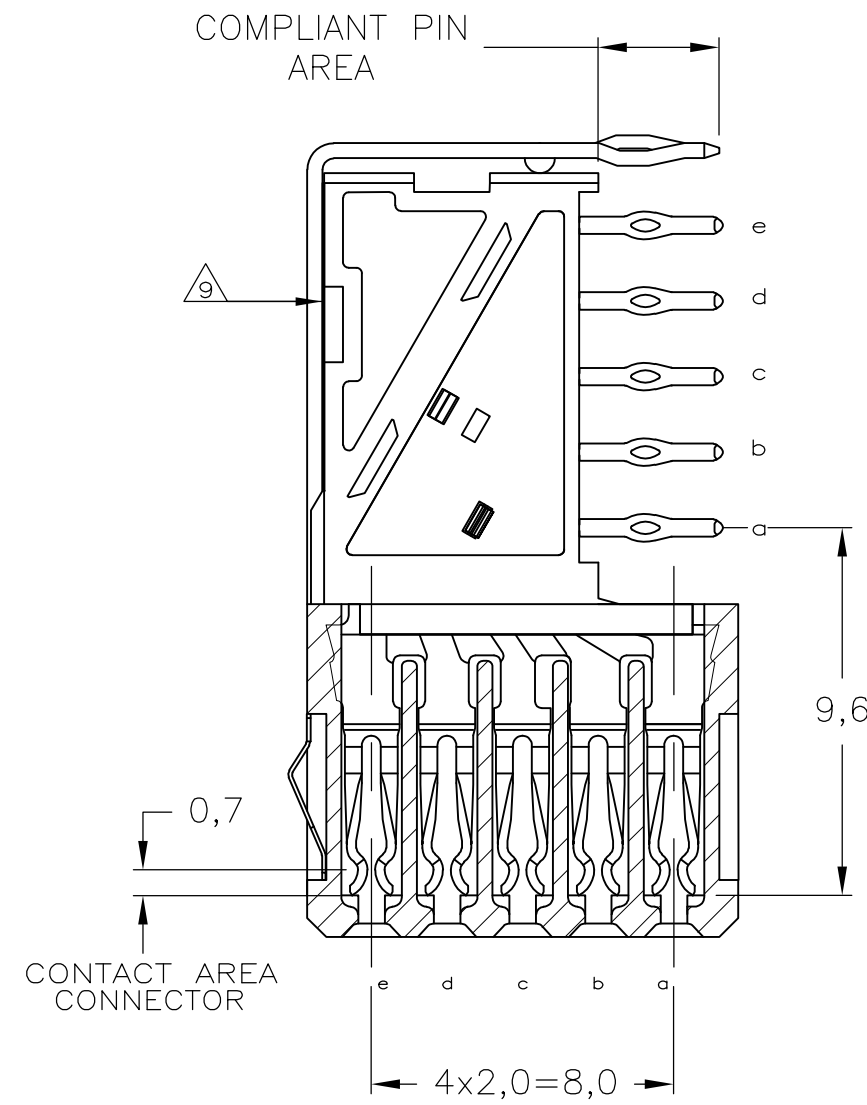


THIS DRAWING IS UNPUBLISHED. RELEASED FOR PUBLICATION  
 © COPYRIGHT - By - ALL RIGHTS RESERVED.

LOC		DIST		REVISIONS			
P	LTR	DESCRIPTION	DATE	DWN	APVD		
	B	REVISED PER ECO-14-009607	27JUN2014	SY	FY		

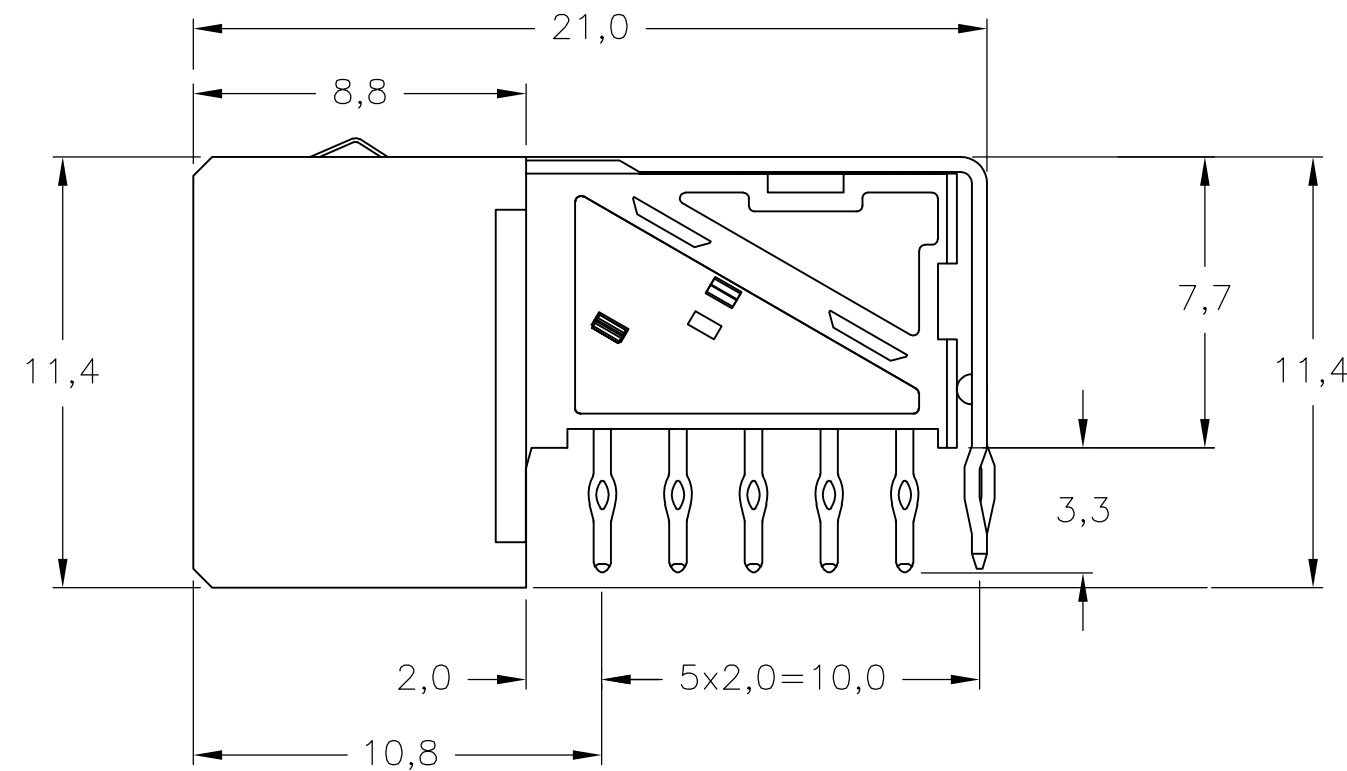


SECTION A-A

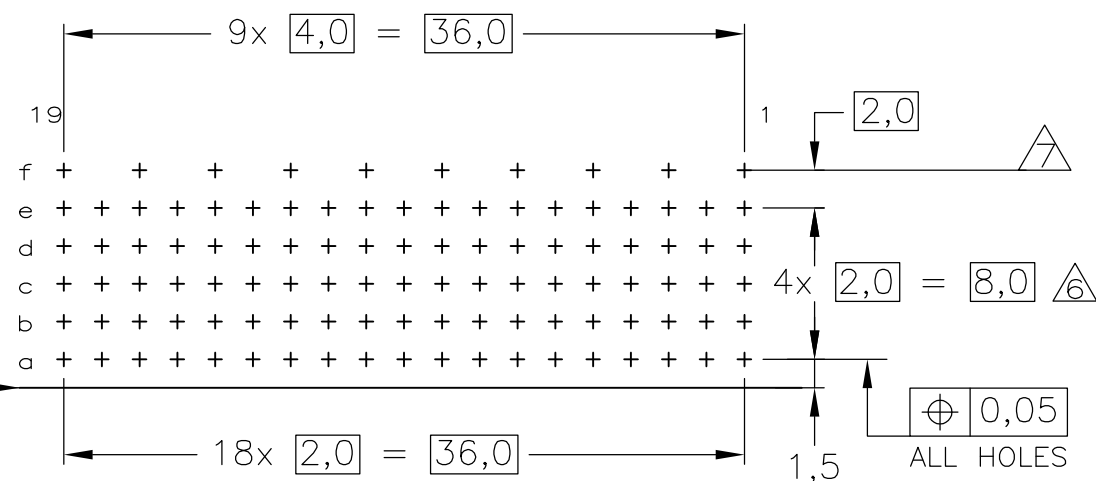


NOTES:

- 1 MATERIAL CONTACTS; PHOSPHORBRONZE
- 2 MATERIAL HOUSING; GLASSFILLED POLYESTER (GRAY)
- 3 GENERAL PLATING SPECIFICATION: UNDERPLATING (ENTIRE CONTACT): 1,27µm NICKEL MIN. AND COMPLIANT PIN SECTION: 0,5µm TIN-LEAD MIN. FOR PLATING OF MATING SURFACES SEE APPLICABLE SPECIFICATION REFERENCE FOR EACH DASH NUMBER.
- 4 CONFORMS TO ALL TESTING ACCORDING IEC 61076-4-101 PERFORMANCE LEVEL 2.
- 5 CONFORMS TO ALL TESTING ACCORDING IEC 61076-4-101 PERFORMANCE LEVEL 1.
- 6 ASSEMBLY PRINTED WITH P/N AND DATECODE THE MARKING CAN APPEAR ON THE FRONT SIDE OR BACK SIDE.
- 7 HOLE PATTERN FOR FEMALE CONNECTOR TYPE B-19 COLUMNS 95 PLATED-THROUGH HOLES AT 2x2mm SQUARE GRID
- 8 ROW "f" 10 PLATED THROUGH HOLES FOR UPERSHIELD CONNECTOR & SHIELD LUBRICATED WITH BELLCORE APPROVED LUBRICANT, TECHNICAL REFERENCE TR-NWT-001217 ISSUE 1, SEPT. 1992. CONNECTOR TESTED AND QUALIFIED AGAINST BELLCORE QUALITY LEVEL III, CENTRAL OFFICE APPLICATIONS
- 9 SHIELD MOUNTED ON CONNECTOR WITH DOUBLE SIDED ADHESIVE TAPE OR ADHESIVE.
- 10 BASIC P.N. LOWERSHIELD: 352029 OR 5352029



COMPONENT SIDE AS SHOWN  
 RECOMMENDED PCB-HOLE LAY-OUT  
 SCALE 2,5:1



P.C.B. HOLE DIM. COMPLIANT PIN  
 FOR DETAILS SEE  
 APPLICATION SPECIFICATION

THIS DRAWING IS A CONTROLLED DOCUMENT.		DWN SANDERS YAN 25NOV2013	2170864-1
DIMENSIONS: mm		CHK -	FINISH
TOLERANCES UNLESS OTHERWISE SPECIFIED:		APVD FRANK YANG 25NOV2013	MATERIAL
0-PLG ± 1-PLG ± 2-PLG ± ±0.2 3-PLG ± 4-PLG ± ANGLES ± FINISH		NAME	PARTNUMBER
MATERIAL		108-19082	TE Connectivity
		114-19029	Z-PACK 2mm HM
		WEIGHT	TYPE B - 19 COLUMNS
		CUSTOMER DRAWING	PRE-SHIELDED RECEPTACLE
		SCALE 5:1	RESTRICTED TO
		SHEET 1 of 1	
		REV B	