

FTDI Chip

VI800A-PoE Datasheet

Plug in accessory for VM800P Embedded Video Engine Plus module



1 Introduction

The VI800A-PoE is a plug in accessory for the VM800P Plus module, which is used to develop and demonstrate the functionality of the FT800 Embedded Video Engine, EVE.

This module behaves as a SPI to ethernet bridge on the VM800P Plus module with the additional option of providing a 5V, 1.8A power pin derived from the ethernet port.

1.1 Features

- Connects to the VM800P Plus module using an SPI slave interface
- SPI slave interface is converted to an ethernet interface compliant with IEEE 802.3 10BASE-T and 802.3u 100BASE-TX
- Power over Ethernet (PoE) supplies 5V DC at 1.8A. May be used to power VM800P module. Conforms to IEEE 802.3af
- VI800A-PoE module is powered from the VM800P module (3V3 supply)
- 6 LEDs to indicate Ethernet status. (2 integrated in the RJ45 connector)
- RJ45 connector

2 Ordering Information

Part No.	Description
VI800A-PoE	VI800A Power over Ethernet module, plug in accessory for the VM800P Plus module

Table 2-1 – Ordering information

Table of Contents

1	Introduction	1
1.1	Features.....	1
2	Ordering Information	2
3	Hardware Description.....	4
3.1	VI800A Power over Ethernet module	4
3.2	Physical Descriptions	5
3.2.1	Dimensions.....	5
3.2.2	VI800A Power over Ethernet Connectors	6
3.2.3	VI800A Power over Ethernet Components.....	7
4	Board Schematics	9
5	Hardware Setup Guide.....	10
5.1	Power Configuration	10
6	Contact Information	11
	Appendix A – References.....	11
	Appendix B - List of Figures and Tables.....	12
	Appendix C – Revision History.....	13

3 Hardware Description

Please refer to section [3.2.2](#) for connector settings.

3.1 VI800A Power over Ethernet module



Figure 3-1 – VI800A-PoE module

The VI800A-PoE module is designed to connect directly with the VM800P Plus module.

The main functions of the VI800A-PoE module are as follows:

- Plug in accessory board for the VM800P Plus module.
- Interface to the VM800P Plus board as a SPI slave device.
- Connects with an external Ethernet interface.
- Contains 6 LEDs (2 integrated in RJ45 connector).
- Powered by the VM800P Plus board
- 5V @1.8A power available from Power over Ethernet (PoE)

3.2 Physical Descriptions

3.2.1 Dimensions

The VI800A-PoE module dimension is illustrated in [Figure 3-2](#) and [Figure 3-3](#).

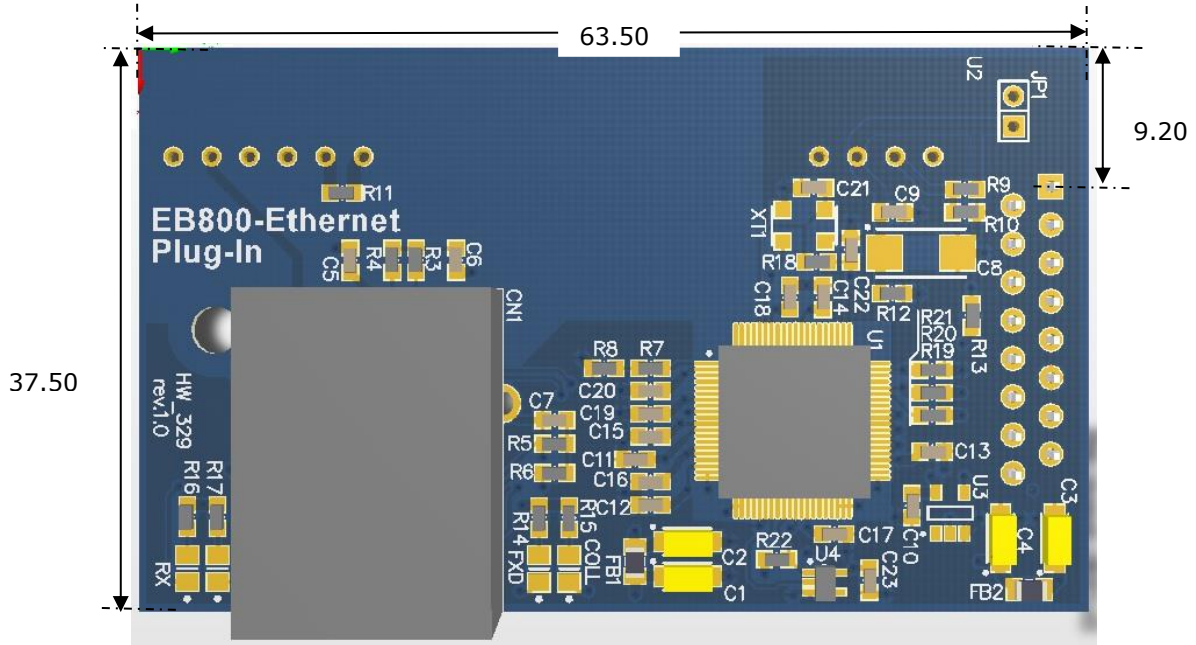


Figure 3-2 – VI800A-PoE module Top view

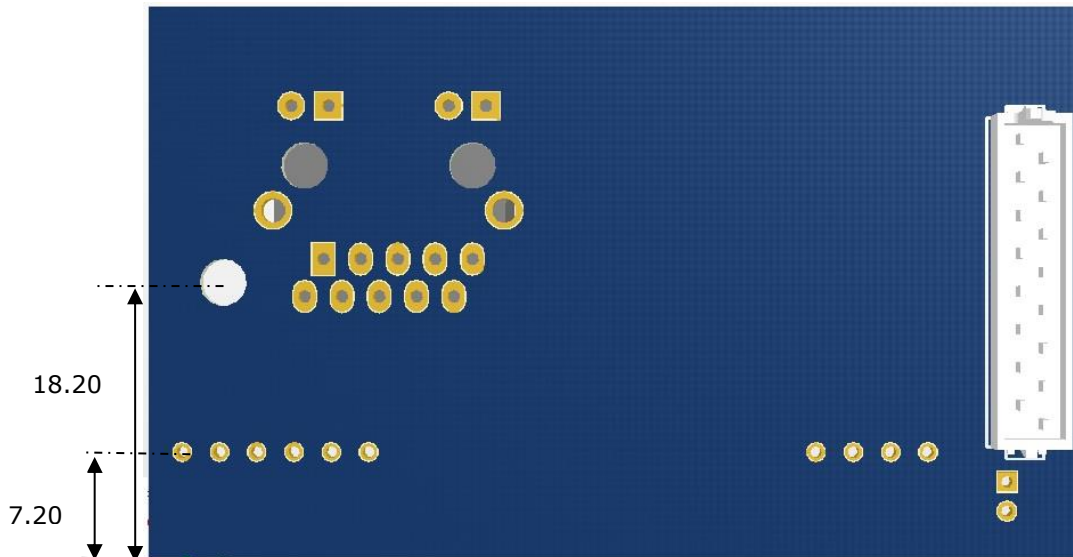


Figure 3-3 – VI800A-PoE module Bottom view



Figure 3-4 – VI800A-PoE module Side view

All dimensions are in mm

3.2.2 VI800A Power over Ethernet Connectors

Connectors and jumpers are described in the following sections.

- **CN1 - RJ45**

This is a standard ethernet connector with integrated LEDs and output for PoE.

Pin No.	Name	Type	Description
1	TX+	O	Ethernet data TX+ output
2	TX-	O	Ethernet data TX- output
3	RX+	I	Ethernet data RX+ input
4	POWER	PWR	Power (36-57V)
5	POWER	PWR	Power (36-57V)
6	RX-	I	Ethernet data RX- input
7	GND	GND	Ground
8	GND	GND	Ground

Table 3-1 – CN1 Pinout

- **CN2- Plug in Interface**

This is the interface where the control and data signals from the VM800P boards are routed. There are also power and ground pins on this interface. This interface is used to connect the VI800A-PoE board to the VM800P Plus board.

Note:

This connector should be connected to J6 of the VM800P Plus board.

Pin No.	Name	Type	Description
1	SCK	I	SPI Clock input
2	MOSI	I	SPI Master Out Slave in
3	MISO	O	SPI Master In Slave out
4	SS	I	SPI Chip select, active low
5	INT0	O	Interrupt output, active low
6	IO6	I	Daughter reset input, active low
7	AD4	IO	Address/Data Line 4
8	AD5	IO	Address/Data Line 5
9	3V3	P	3.3V power supply
10	5V	P	5V power supply
11	GND	P	Ground
12	RST#	I	Reset, active low
13	AD1	IO	Address/Data Line 1
14	NC	NA	Not Connected
15	ETH_INT#	O	Interrupt out, active low
16	AD2	IO	Address/Data Line 2

Table 3-2 – CN2 Pinout

- **JP1- Power from PoE**

Jumper connection fitted when power source is from PoE.

3.2.3 VI800A Power over Ethernet Components

- **U1 – W5100**

This converts the SPI signals from the VM800P Plus board to Ethernet signals. The interface is IEEE 802.3 10BASE-T and 802.3u 100BASE-TX compliant.

- **U2 – AG9705-2BR**

Power over Ethernet PWR module. This module takes an input from the Ethernet port and outputs 5V @ 1.8A and conforms to IEEE 802.3af

- **CN1 – LPJ0514GENL**

The RJ45 Ethernet connector to connect the ethernet cable with 2 integrated indicator LEDs.

The green LED indicates if a link is established or not. If illuminated the link is good.

The yellow LED indicates the link speed. Illuminated is 100Base-TX and unlit is 10Base-T

- **LED1 –LED4**

Indicates the status of the Ethernet transmission.

LED1: This is the FDX LED. It is yellow in colour.

LED2: This is the collision LED. It is yellow in colour

LED3: This is the RX LED. It is green in colour

LED4: This is the TX LED. It is green in colour

4 Board Schematics

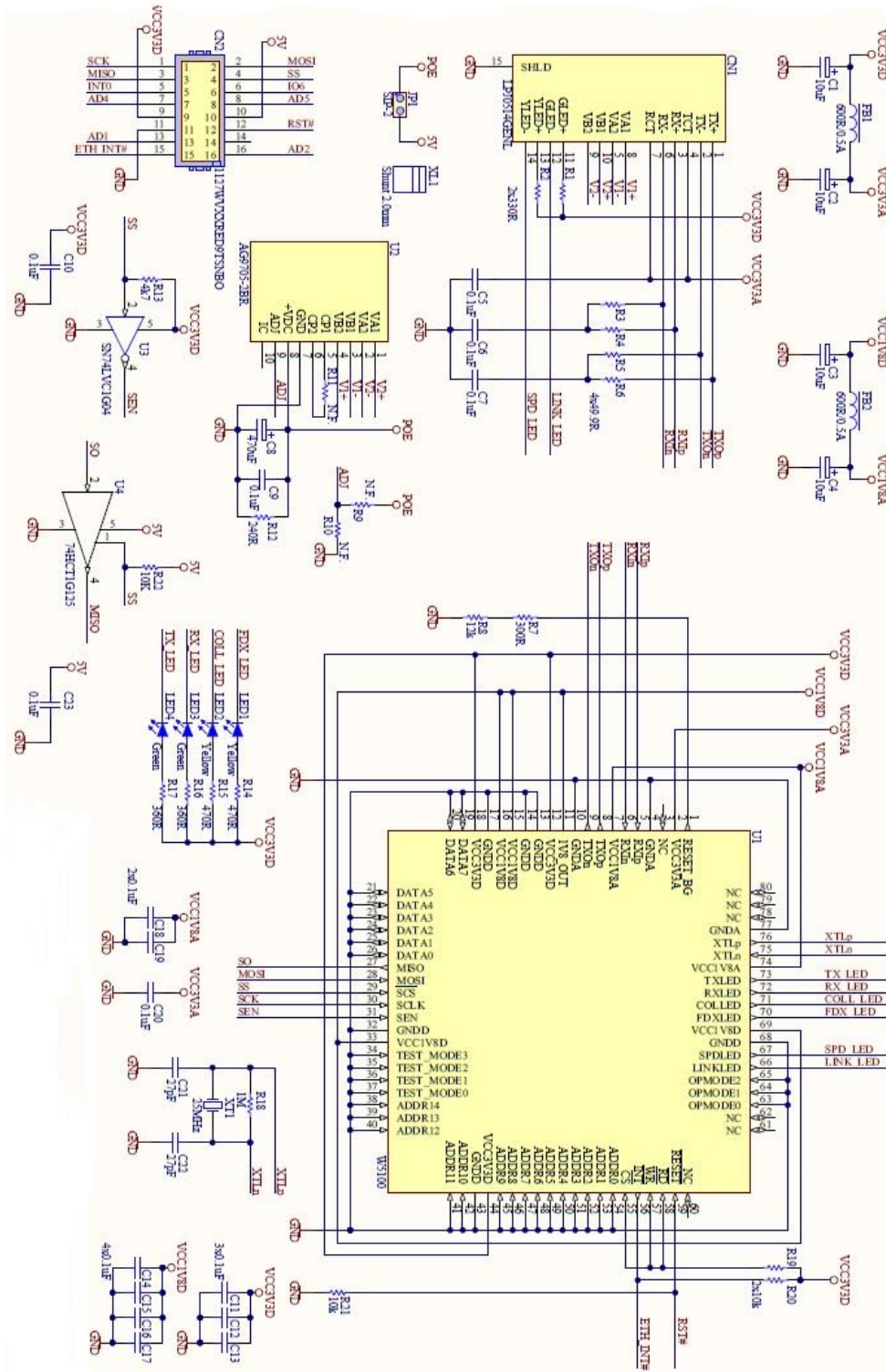


Figure 4-1 - VI800A-PoE Schematics

5 Hardware Setup Guide

5.1 Power Configuration

The board could be powered from PoE or the VM800P Plus board from the setting of JP1. The CN2 connector on the VI800 PoE board should be connected to the J6 connector of the VM800P Plus board as shown in the Figure 5-1.

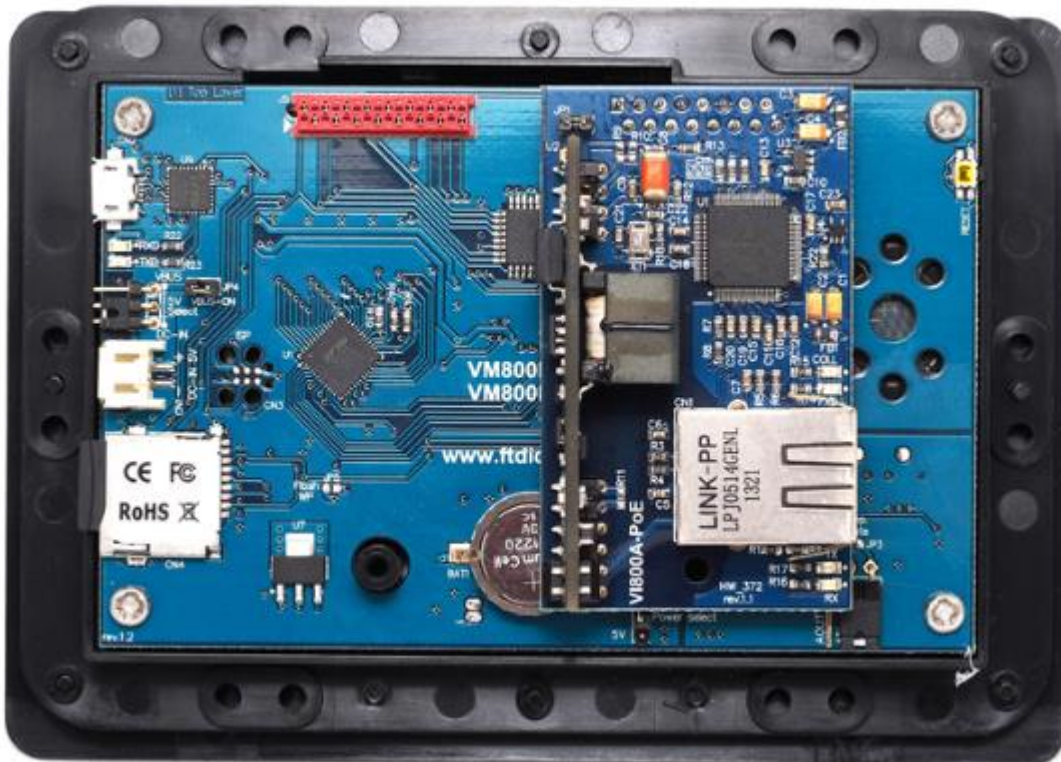


Figure 5-1 – VI800A-PoE module connected to VM800P Plus module

6 Contact Information

Head Office – Glasgow, UK

Unit 1, 2 Seaward Place, Centurion Business Park
Glasgow G41 1HH
United Kingdom
Tel: +44 (0) 141 429 2777
Fax: +44 (0) 141 429 2758

E-mail (Sales) sales1@ftdichip.com
E-mail (Support) support1@ftdichip.com
E-mail (General Enquiries) admin1@ftdichip.com

Branch Office – Tigard, Oregon, USA

7130 SW Fir Loop
Tigard, OR 97223
USA
Tel: +1 (503) 547 0988
Fax: +1 (503) 547 0987

E-Mail (Sales) us.sales@ftdichip.com
E-Mail (Support) us.support@ftdichip.com
E-Mail (General Enquiries) us.admin@ftdichip.com

Branch Office – Taipei, Taiwan

2F, No. 516, Sec. 1, NeiHu Road
Taipei 114
Taiwan, R.O.C.
Tel: +886 (0) 2 8797 1330
Fax: +886 (0) 2 8751 9737

E-mail (Sales) tw.sales1@ftdichip.com
E-mail (Support) tw.support1@ftdichip.com
E-mail (General Enquiries) tw.admin1@ftdichip.com

Branch Office – Shanghai, China

Room 1103, No. 666 West Huaihai Road,
Changning District, Shanghai, 200052
China
Tel: +86 (0)21 6235 1596
Fax: +86 (0)21 6235 1595

E-mail (Sales) cn.sales@ftdichip.com
E-mail (Support) cn.support@ftdichip.com
E-mail (General Enquiries) cn.admin@ftdichip.com

Web Site

<http://www.ftdichip.com/>

Distributor and Sales Representatives

Please visit the Sales Network page of the [FTDI Web site](#) for the contact details of our distributor(s) and sales representative(s) in your country.

System and equipment manufacturers and designers are responsible to ensure that their systems, and any Future Technology Devices International Ltd (FTDI) devices incorporated in their systems, meet all applicable safety, regulatory and system-level performance requirements. All application-related information in this document (including application descriptions, suggested FTDI devices and other materials) is provided for reference only. While FTDI has taken care to assure it is accurate, this information is subject to customer confirmation, and FTDI disclaims all liability for system designs and for any applications assistance provided by FTDI. Use of FTDI devices in life support and/or safety applications is entirely at the user's risk, and the user agrees to defend, indemnify and hold harmless FTDI from any and all damages, claims, suits or expense resulting from such use. This document is subject to change without notice. No freedom to use patents or other intellectual property rights is implied by the publication of this document. Neither the whole nor any part of the information contained in, or the product described in this document, may be adapted or reproduced in any material or electronic form without the prior written consent of the copyright holder. Future Technology Devices International Ltd, Unit 1, 2 Seaward Place, Centurion Business Park, Glasgow G41 1HH, United Kingdom. Scotland Registered Company Number: SC136640

Appendix A – References

VM800P datasheet: [VM800P Plus board](#)

FT800 datasheet: [FT800 Embedded Video Engine](#)

FT800 software programming guide: [FT800 Programmer Guide](#)

FT800 sample application notes:

[AN 246 VM800CB SampleAPP Arduino Introduction](#)

http://www.ftdichip.com/Support/Documents/AppNotes/AN_275_FT800_Example_with_Arduino.pdf

[AN 332 VI800A POE SampleApp](#)

Appendix B - List of Figures and Tables

List of Figures

Figure 3-1 – VI800A-PoE module	4
Figure 3-2 – VI800A-PoE module Top view	5
Figure 3-3 – VI800A-PoE module Bottom view	5
Figure 3-4 – VI800A-PoE module Side view	6
Figure 4-1 – VI800A-PoE Schematics	9
Figure 5-1 – VI800A-PoE module connected to VM800P Plus module	10

List of Tables

Table 2-1 – Ordering information	2
Table 3-1 – CN1 Pinout.....	6
Table 3-2 – CN2 Pinout.....	6

Appendix C – Revision History

Document Title: DS_VI800A-PoE
Document Reference No.: FT_000996
Clearance No.: FTDI#414
Product Page: <http://www.ftdichip.com/EVE.htm>
Document Feedback: [Send Feedback](#)

Version 1.0	Initial Datasheet released	10/14/14
Version 1.1	Initial Datasheet released	10/20/14