

KNOB LOCK (PLASTIC)



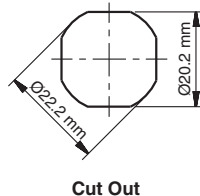
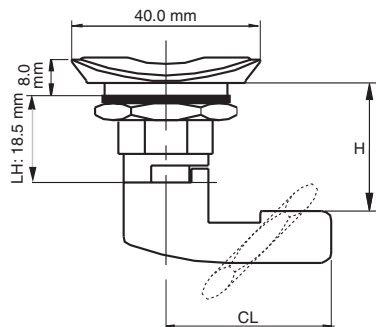
*Example with cam. Cam sold separately.

Specifications

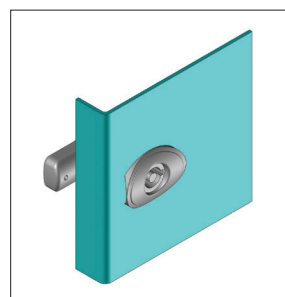
- Material:
 - Housing: Polyamide DIN-EN ISO 1043-1 PA6 GFR 30
 - Driver: Zinc Alloy (Zamak) or PA6 GFR 30
 - Nut: Zinc Alloy (Zamak) or PA6 GFR 30
 - Cam: Steel or Plastic

Features

- Designed to act as a knob
- Applications: Electric panels, machinery covers



Cut Out



Driver/Head Style



3mm Double Bit

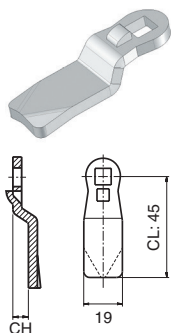


Slot (2x4)

Item Number					
Zinc Alloy / Chrome	Zinc Alloy / Black	Nylon / Black	Driver	Cam	
060111300	060121300	060201300	3mm Double Bit	Select Cam Below	
-	-	060204200	Slot (2x4)	Select Cam Below	

Item Number	Housing	Driver Material	Driver	Cam
16120124200	Nylon	Zinc Alloy (Zamak)	Slot (2x4)	Select Cam Below
16120201300	Nylon	Nylon	3mm Double Bit	Select Cam Below
16120204200	Nylon	Nylon	Slot (2x4)	Select Cam Below

Steel Cam

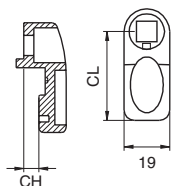


Material: Steel
Finish: Zinc plated
Thickness: 4 mm

Item Number	CH (mm)	CL (mm)	H (mm)
30403033	0	45	18.5
30403439	1	45	19.5
30403159	2	45	20.5
30403063	3	45	21.5
30403149	4	45	22.5
30403160	6	45	24.5
30403161	8	45	26.5
30403162	10	45	28.5
30403045	12	45	30.5
30403163	14	45	32.5
30403151	16	45	34.5
30403165	18	45	36.5

Item Number	CH (mm)	CL (mm)	H (mm)
30403166	20	45	38.5
30403167	22	45	40.5
30403168	24	45	42.5
30403169	-2	45	16.5
30403170	-4	45	14.5
30403171	-6	45	12.5
30403172	-8	45	10.5
30403173	-10	45	8.5
30403174	-12	45	6.5
30403175	-14	45	4.5

Nylon Cam



Item Number	CH (mm)	CL (mm)	H (mm)
30402004	0	35	18.5
30402011	0	25	18.5
30402005	6	35	24.5
30402008	4	45	22.5
30402013	-4	45	14.5