

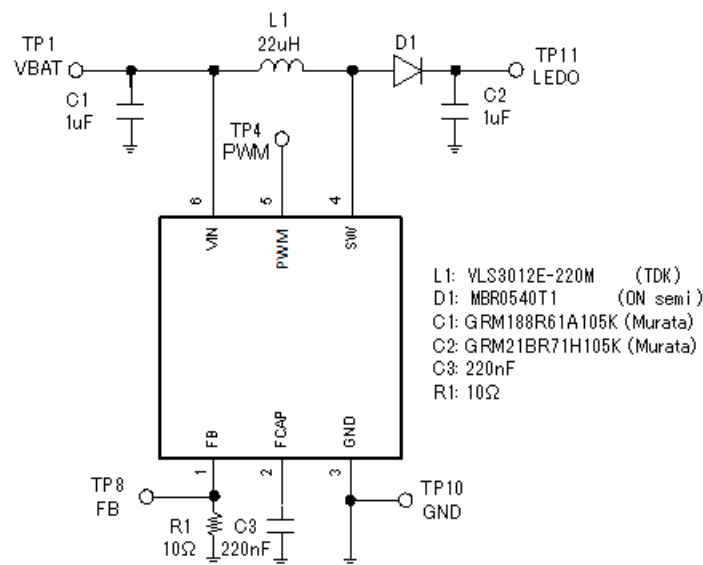


Test Procedure for the LV52205MUGEVB Evaluation Board

1. Evaluation Board Spec

Evaluation Board	2.7 - 5.5V
FB voltage	0 - 200mV
Over Voltage Protection	41V
Oscillation Frequency	600kHz

2. Evaluation Board Schematic



3. Pin Function

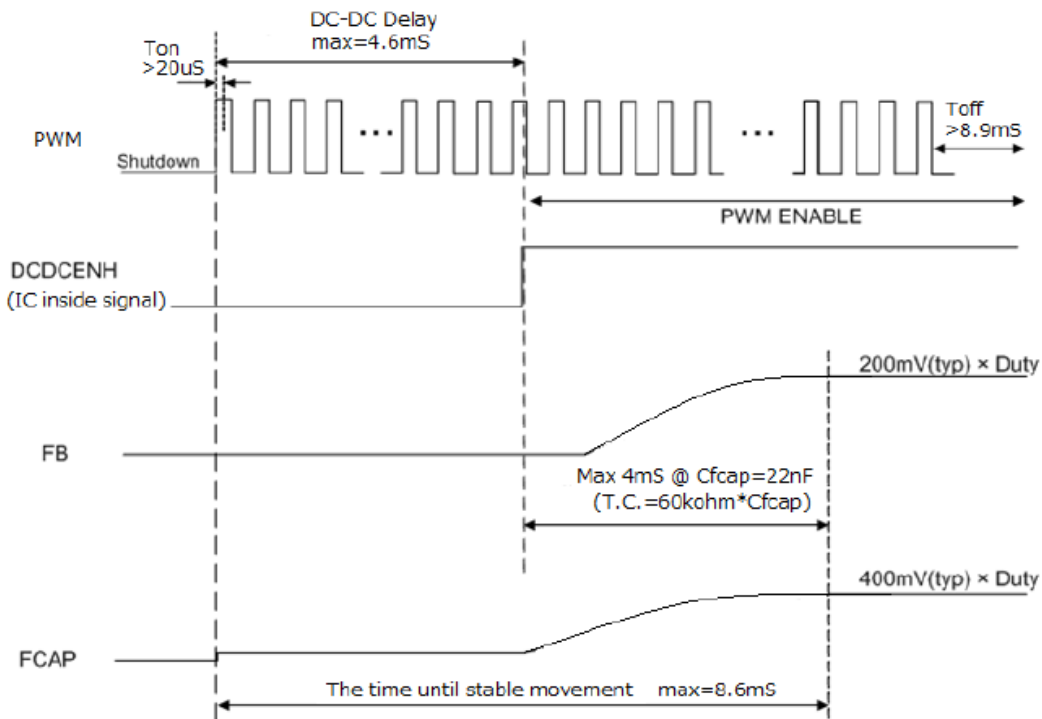
PIN #	Pin Name	Description
1	FB	Feedback pin.
2	FCAP	Filtering capacitor terminal for PWM mode.
3	GND	Ground
4	SW	Switch pin. Drain of the internal power FET.
5	PWM	PWM dimming input (active High).
6	VCC	Supply voltage.
	Expose-pad	Connect to GND on PCB.



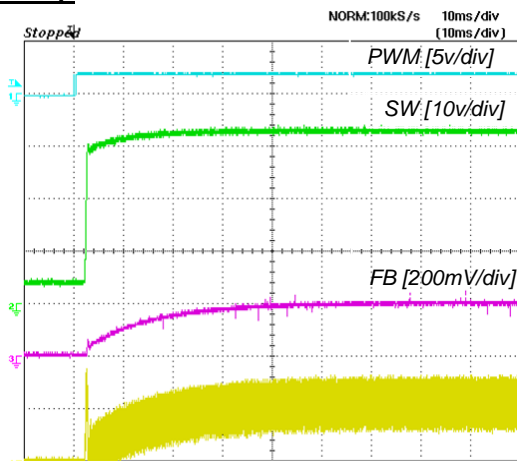
4. Start/Shutdown sequences

1. Please input "High" into PWM PIN during the period that is longer than $T_{on}(20\mu\text{Sec})$ to start IC.
2. IC shut down when you make PWM PIN Low longer than $T_{off}(8.9\text{ms})$ period.

PWM Mode



Start Up



Shut down

