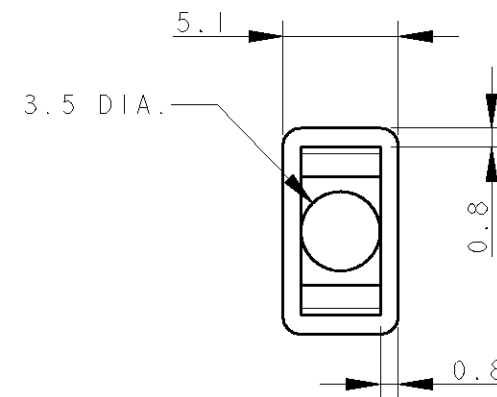
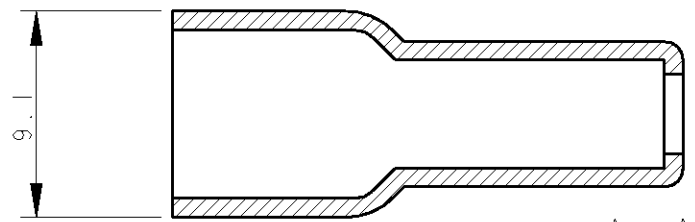
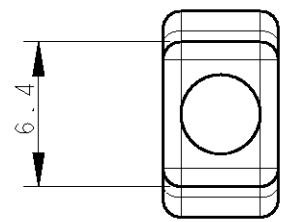
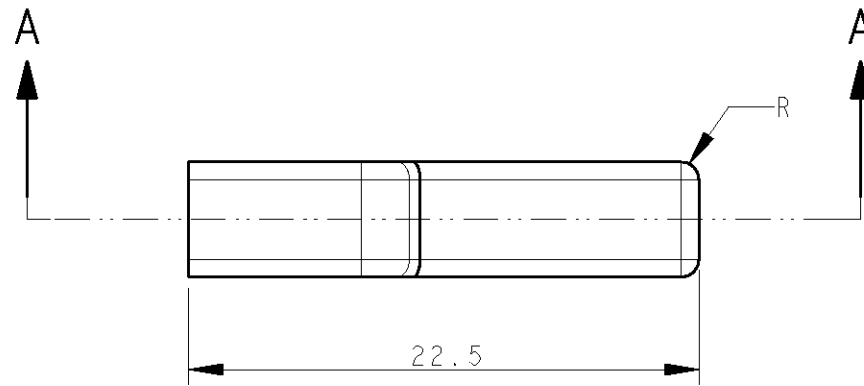


THIS DRAWING IS UNPUBLISHED. RELEASED FOR PUBLICATION 2003  
 © COPYRIGHT 2003 BY TYCO ELECTRONICS CORPORATION. ALL RIGHTS RESERVED.

LOC	DIST	REVISIONS			
P	LTR	DESCRIPTION	DATE	DWN	APVD
	G1	REDRAWN, ET00-0212-04	19 OCT 2004	HY	GT
	G2	REVISED PER - ECO-09-026346	26NOV09	KK	AEG

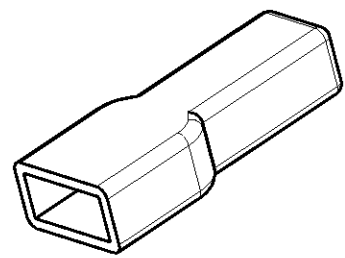


SECTION A - A

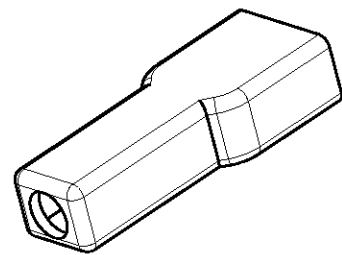


- 1 POLYETHYLENE
- 2 PA6 UNFILLED, UL 94 V2, VERSION ACCORDING TO IEC 60695-2-11, IEC 60335-1, GLOW WIRE.
- 3 OBSOLETE PARTS: OBSOLETE CIS STREAMLINING PER D.RENAUD/D.SINISI

NOTE	COLOUR	MATERIAL	TYCO P/N	REV
	NATURAL	SEE NOTE 2	3-180930-0	G
	ORANGE		2-180930-9	G
OBSOLETE 3	GRAY		<del>2-180930-7</del>	G
	BROWN		<del>2-180930-6</del>	G
	BLACK		2-180930-5	G
OBSOLETE 3	YELLOW	SEE NOTE 1	<del>2-180930-4</del>	G
	BLUE		<del>2-180930-3</del>	G
	GREEN		<del>2-180930-2</del>	G
	RED		2-180930-1	G
	NATURAL		2-180930-0	G



SCALE 2:1



<small>THIS DRAWING IS A CONTROLLED DOCUMENT FOR TYCO ELECTRONICS CORPORATION IT IS SUBJECT TO CHANGE AND THE CONTROLLING ENGINEERING ORGANIZATION SHOULD BE CONTACTED FOR THE LATEST REVISION.</small>		DWN H. YAALI 13JUL2004 CHK - APVD - PRODUCT SPEC 108-20035 APPLICATION SPEC - WEIGHT -	<b>tyco</b> <b>Electronics</b> tyco Electronics AMP Italia S.p.A. C.so F.lli Cervi, 15 COLLEGNO (TO)
DIMENSIONS: mm 	TOLERANCES UNLESS OTHERWISE SPECIFIED: 0 PLC ±- 1 PLC ±0.4 2 PLC ±- 3 PLC ±- 4 PLC ±- ANGLES ±1° FINISH -	MATERIAL SEE TABLE CUSTOMER DRAWING	NAME <b>INSULATING BOOT</b> SIZE A3 CAGE CODE 00779 DRAWING NO C-180930 RESTRICTED TO - SCALE 3:1 SHEET 1 OF 1 REV G2