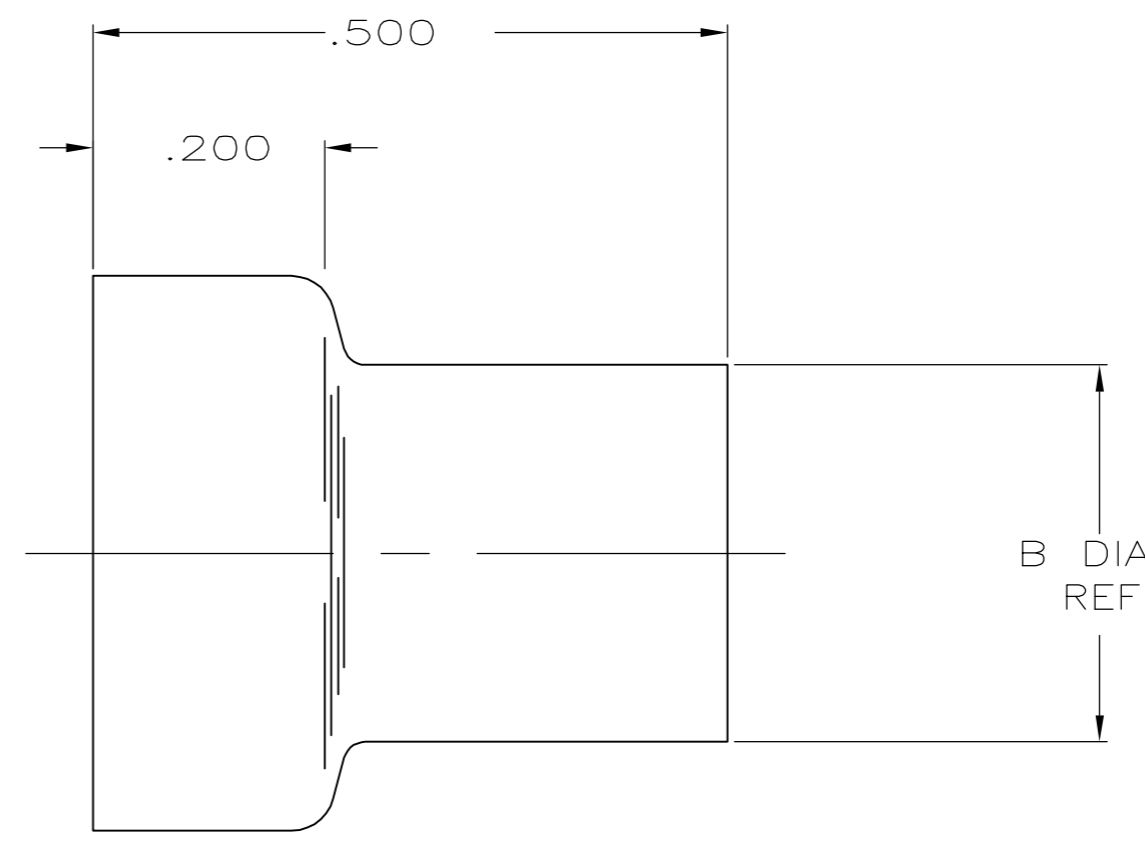
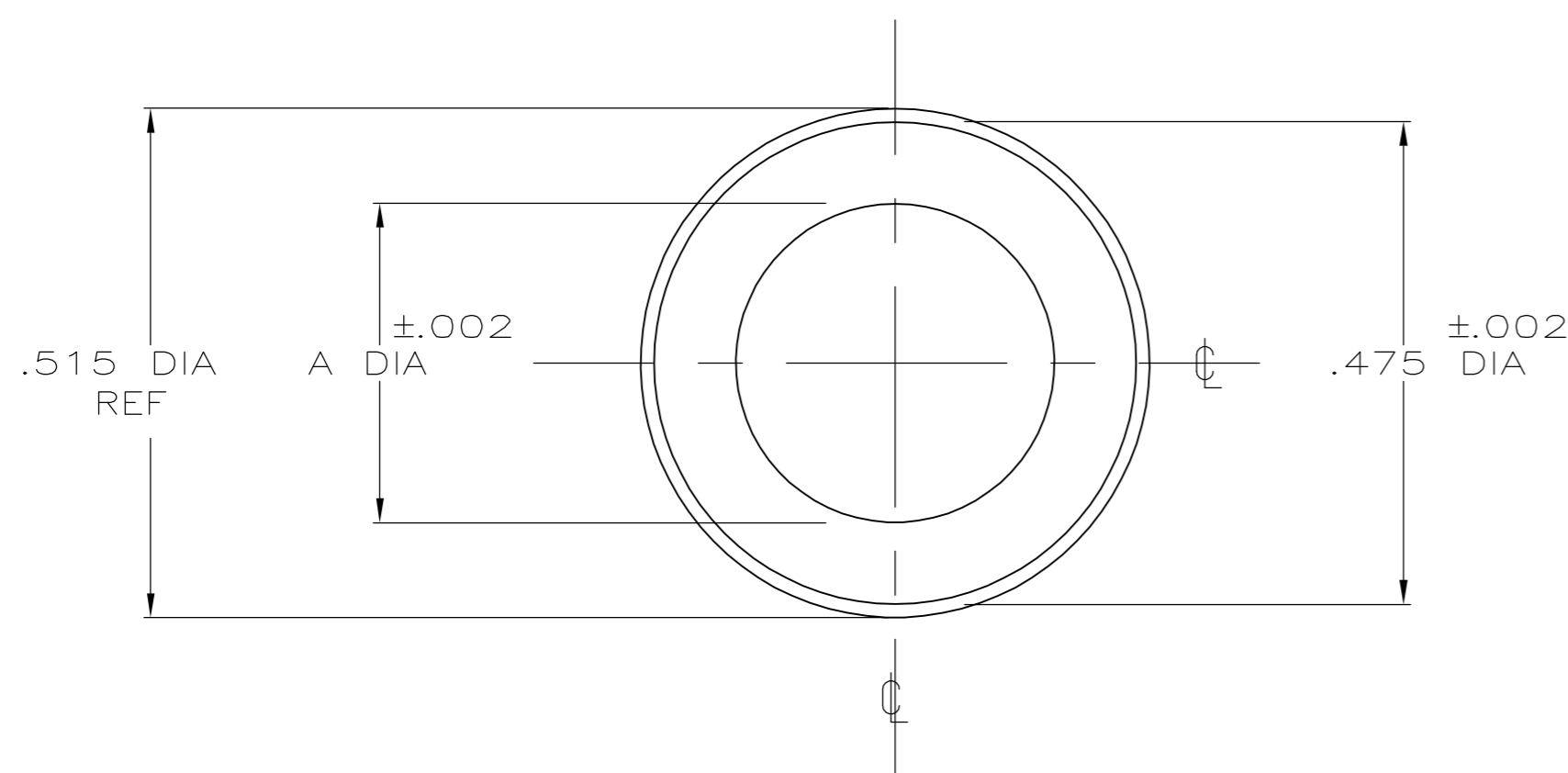


THIS DRAWING IS UNPUBLISHED. RELEASED FOR PUBLICATION  
 © COPYRIGHT BY TYCO ELECTRONICS CORPORATION. ALL RIGHTS RESERVED.

LOC	DIST	REVISIONS			
P	LTR	DESCRIPTION	DATE	DWN	APVD
GP	00	C	REVISED PER ECN-0513-0331-05	26SEP06	JDP/CWR



	.350	.310	TIN OVER COPPER	BRASS .020 THICK	212435-9
OBSOLETE	.300	.260	TIN OVER COPPER	BRASS .020 THICK	212435-8
OBSOLETE	.250	.210	TIN OVER COPPER	BRASS .020 THICK	212435-7
	B DIA. REF.	A ±.002 DIA.	FINISH	MATERIAL	PART NO

THIS DRAWING IS A CONTROLLED DOCUMENT.		DWN	S	SCHAFFHAUSER	3-5-86	<b>tyco</b> Electronics	Tyco Electronics Corporation Harrisburg, PA 17105-3608		
DIMENSIONS: INCHES		CHK	G	YETTER	3-6-86		FERRULE, SHIELDED, CIRCULAR DIN		
TOLERANCES UNLESS OTHERWISE SPECIFIED:		APVD	-	-	-	NAME	-		
0 PLC ± -		PRODUCT SPEC	-			SIZE	CAGE CODE	DRAWING NO	RESTRICTED TO
1 PLC ± -		APPLICATION SPEC	-			A2	00779	C=212435	-
2 PLC ± -		WEIGHT	-			SCALE	N.T.S.	SHEET	1 of 1
3 PLC ± -		CUSTOMER DRAWING	-			REV	C	-	
4 PLC ± -			-						
ANGLES ± -			-						
FINISH			-						
SEE TABLE			-						
SEE TABLE			-						

212435