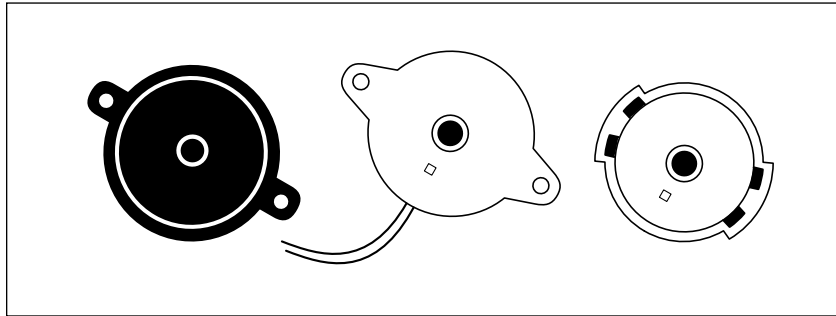


Telephone Ringers



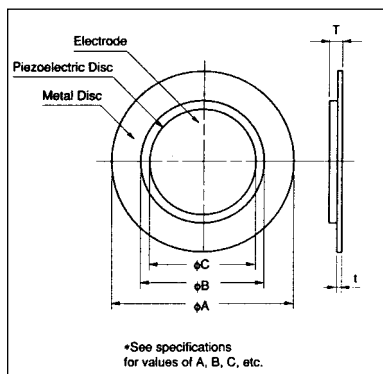
Specifications

Model Number	Sound Pressure Level	Static Capacitance
KBS-30DB-1A-20	70dB Min. 1.0~1.5KHz 20Vp-p SQ 30cm	★ 48nF ± 30%
KBT-33SB-2T-2	70dB Min. 1.0~1.5KHz 20Vp-p SQ 30cm	★ 48nF ± 30%
KBT-34SB-1T/1A-0	75dB Min. 1.0~1.5KHz 20Vp-p SQ 30cm	★ 68nF ± 30%
KBT-44SB-1A	75dB Min. 1.0KHz 10Vp-p SQ 30cm	★ 68nF ± 30%
KBS-50DL-05C	_____	★ 120nF Min.

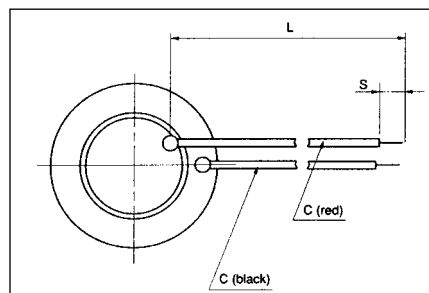
★ Measured at 120Hz

External Drive Type - KBS-XXDA

Dimensions



Standard Leads



W = Thickness	AWG-32 UL-1571
L = Length (mm)	50±5, 75±5, 100±10
S = Strip (mm)	3±1
C = Color	red, black

Part Number	Resonant Frequency (kHz)	Resonant Impedance (Ω)	Static Capacitance (pF)	Dimensions (mm)					Metal Disc Material
				Metal Disc (øA)	Ceramic Disc (øB)	Electrode (øC)	Total Thickness (T)	Metal Disc Thickness (t)	
KBS-13DA-12A	12.0±1.2	700	5,000±30%	13.4±0.1	10.0±0.3	(9.0)	0.36±0.1	0.15±0.03	Brass
KBS-15DA-9A-2	10.5±3.0	600	8,000±30%	15.0±0.1	12.0±0.3	(11.0)	0.42±0.1	0.20±0.03	Brass
KBS-20DA-7A	6.6±1.0	300	10,000±30%	20.0±0.1	14.2±0.3	(13.0)	0.45±0.1	0.20±0.03	Brass
KBS-23DA-4A	4.0±1.0	600	12,000±30%	22.8±0.1	15.0±0.3	(14.0)	0.41±0.1	0.15±0.03	Brass
KBS-27DA-5A	4.6±0.5	200	20,000±30%	27.0±0.1	20.2±0.3	(19.0)	0.53±0.1	0.25±0.03	Brass
KBS-30DA-1A	1.4±0.5	500	*48,000±30%	30.0±0.1	20.2±0.3	(19.0)	0.23±0.1	0.10±0.03	Brass
KBS-35DA-3A	2.9±0.5	200	30,000±30%	35.0±0.1	25.0±0.3	(23.5)	0.53±0.1	0.25±0.03	Brass

*Measured at 120Hz, all others at 1kHz

Additional information on this product is available from AVX's catalog or AVX's FAX Service. Call 1-800-879-1613 and request document #157. Visit our website <http://www.avxcorp.com>