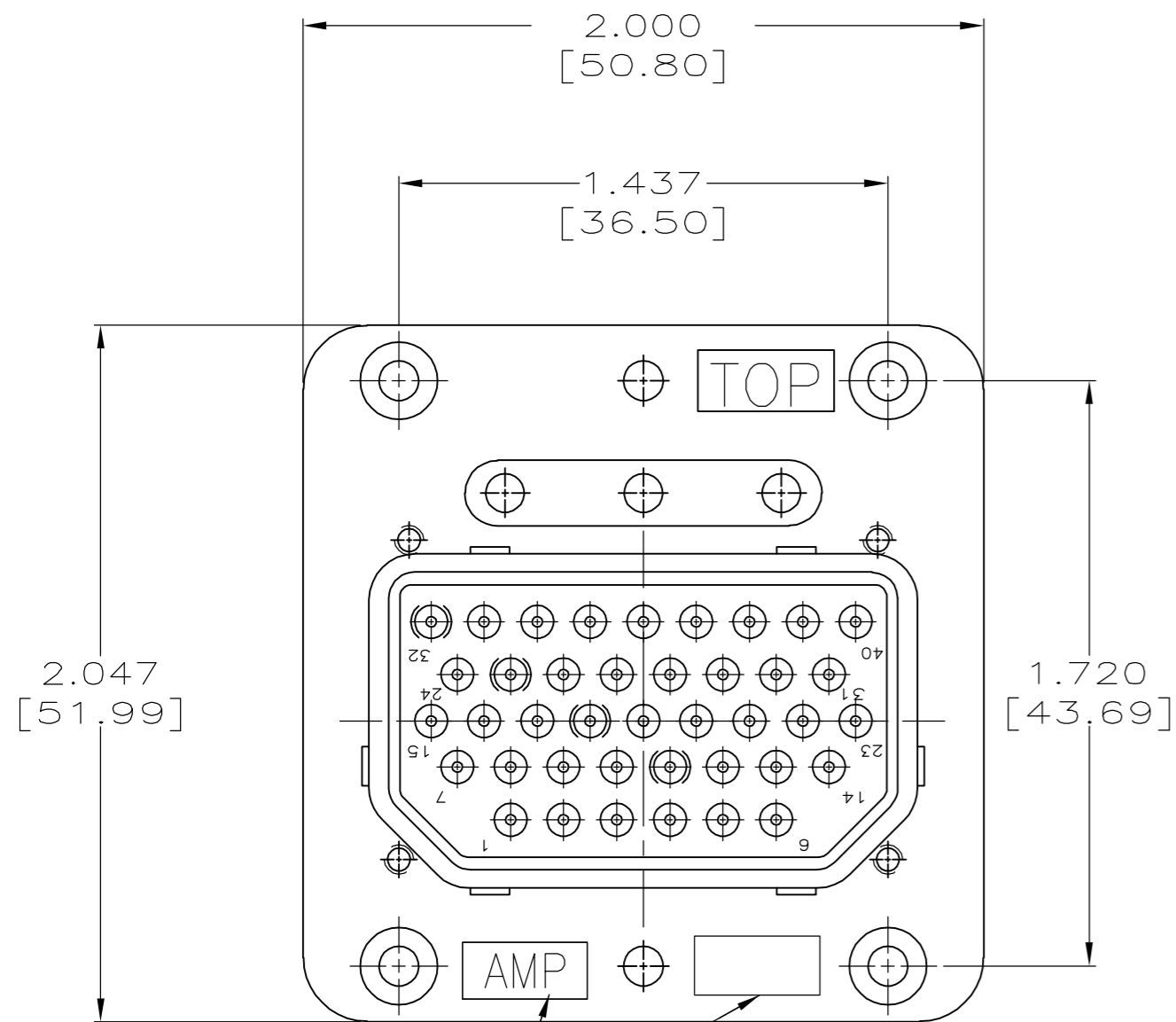


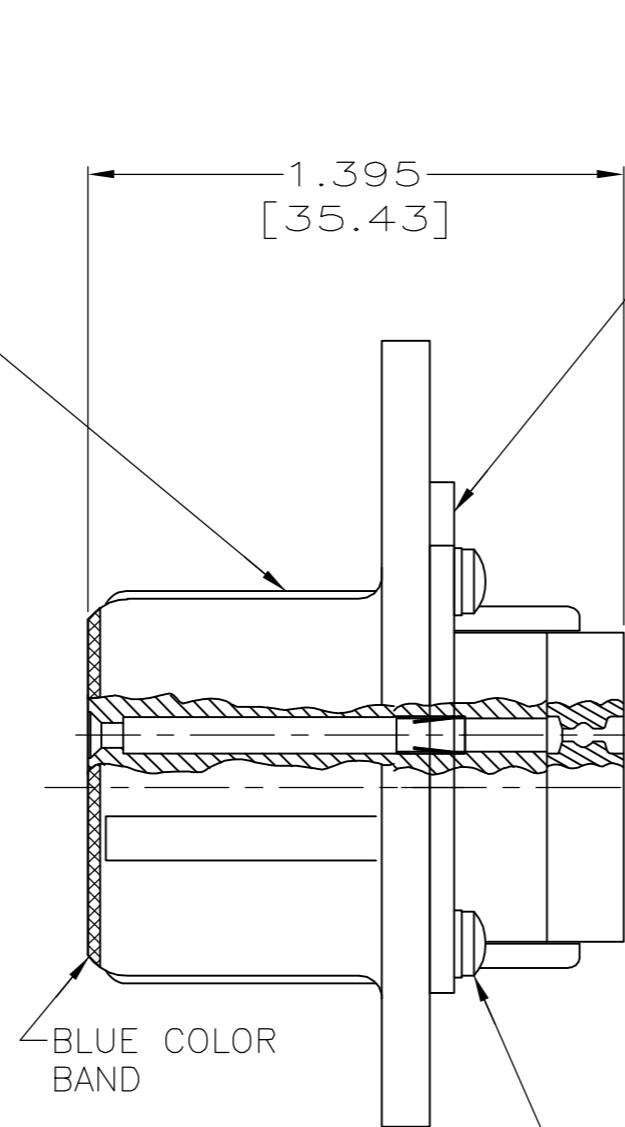
THIS DRAWING IS UNPUBLISHED. RELEASED FOR PUBLICATION
 © COPYRIGHT BY TYCO ELECTRONICS CORPORATION. ALL RIGHTS RESERVED.

LOC		DIST		REVISIONS			
P	LTR	DESCRIPTION		DATE	DWN	APVD	
DF	A0	B		REV PER OH14-0208-04	22SEP05	TK	CT

⚠ MARK AMP, AMP PART NUMBER AND DATE CODE IN AREA SHOWN.



⚠
1
PART
NUMBER



RETAINER PLATE
MATL: ALUMINUM ALLOY
FINISH: BLUE ANODIZED

PLUG SHELL
MATL: ALUMINUM ALLOY
FINISH: CADMIUM PLATED, YELLOW CHROMATE

40S INSERT
MATL: EPOXY MLDG CMPD

BLUE COLOR
BAND

SCREWS & LOCKWASHERS
MATL: STAINLESS STEEL
FINISH: PASSIVATED

Ø.120±.002
[3.05±0.05]
2 PLC

⚠
1
DATE
CODE

THIS DRAWING IS A CONTROLLED DOCUMENT.		DWN T. THOMPSON 17JUN98	Tyco Electronics Corporation Harrisburg, PA 17105-3608															
DIMENSIONS: INCHES		CHK J. WEAVER 17JUN98																
TOLERANCES UNLESS OTHERWISE SPECIFIED:		APVD J. WEAVER 17JUN98	NAME PLUG ASSY, ARINC 404 MME1P40S-0300(201)															
<table border="1"> <tr><td>0 PLC</td><td>± -</td></tr> <tr><td>1 PLC</td><td>± -</td></tr> <tr><td>2 PLC</td><td>± -</td></tr> <tr><td>3 PLC</td><td>± .005[0.13]</td></tr> <tr><td>4 PLC</td><td>± -</td></tr> <tr><td>ANGLES</td><td>± -</td></tr> <tr><td>FINISH</td><td>-</td></tr> </table>		0 PLC	± -	1 PLC	± -	2 PLC	± -	3 PLC	± .005[0.13]	4 PLC	± -	ANGLES	± -	FINISH	-	PRODUCT SPEC APPLICATION SPEC	SIZE A2	CAGE CODE 00779
0 PLC	± -																	
1 PLC	± -																	
2 PLC	± -																	
3 PLC	± .005[0.13]																	
4 PLC	± -																	
ANGLES	± -																	
FINISH	-																	
MATERIAL		WEIGHT -	DRAWING NO C=1218230	RESTRICTED TO -														
		CUSTOMER DRAWING	SCALE 2:1	SHEET 1 of 1														
			REV B															