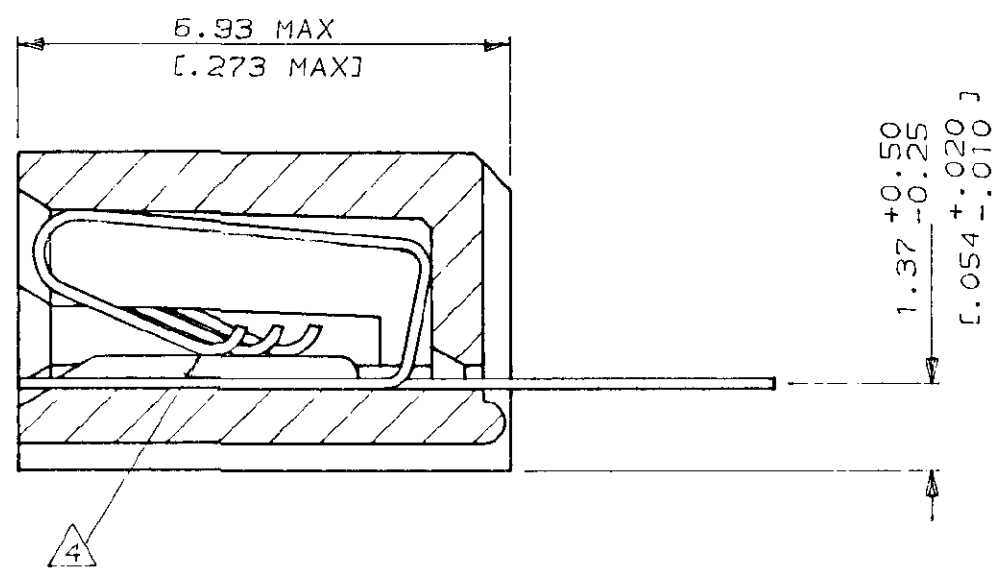
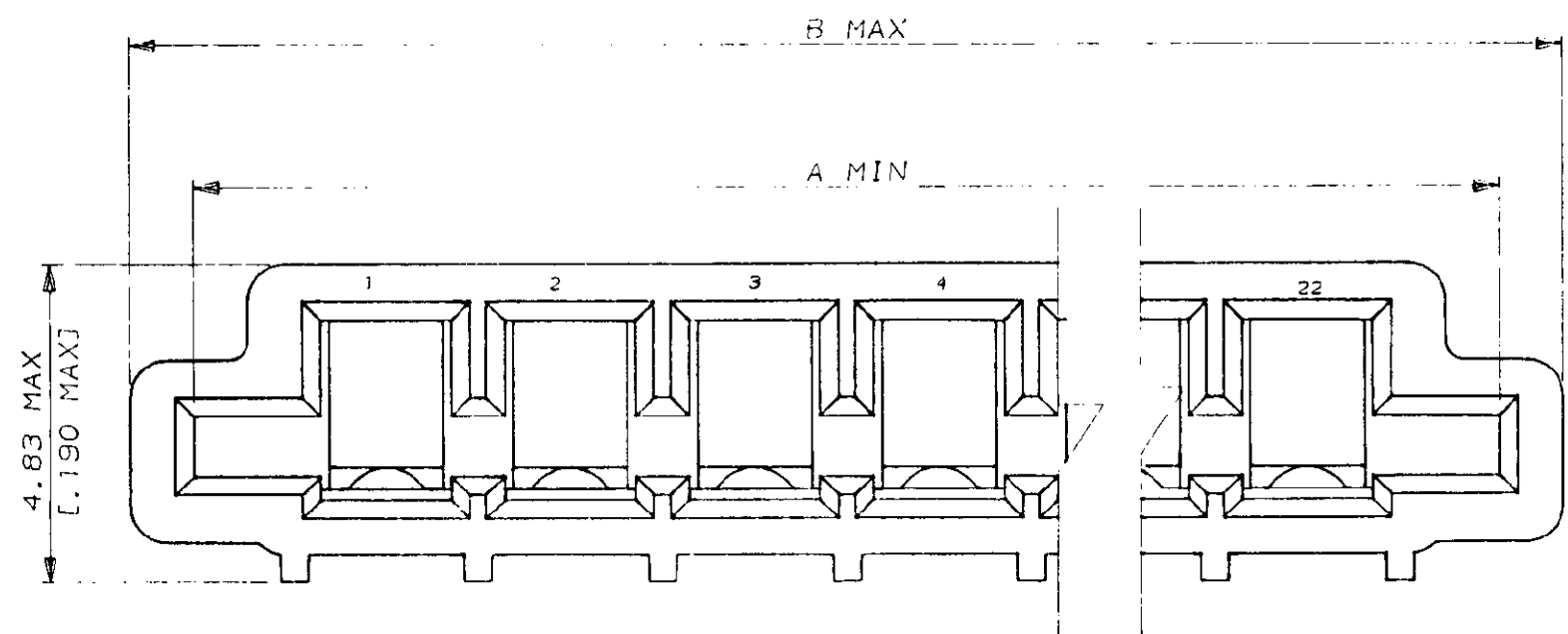
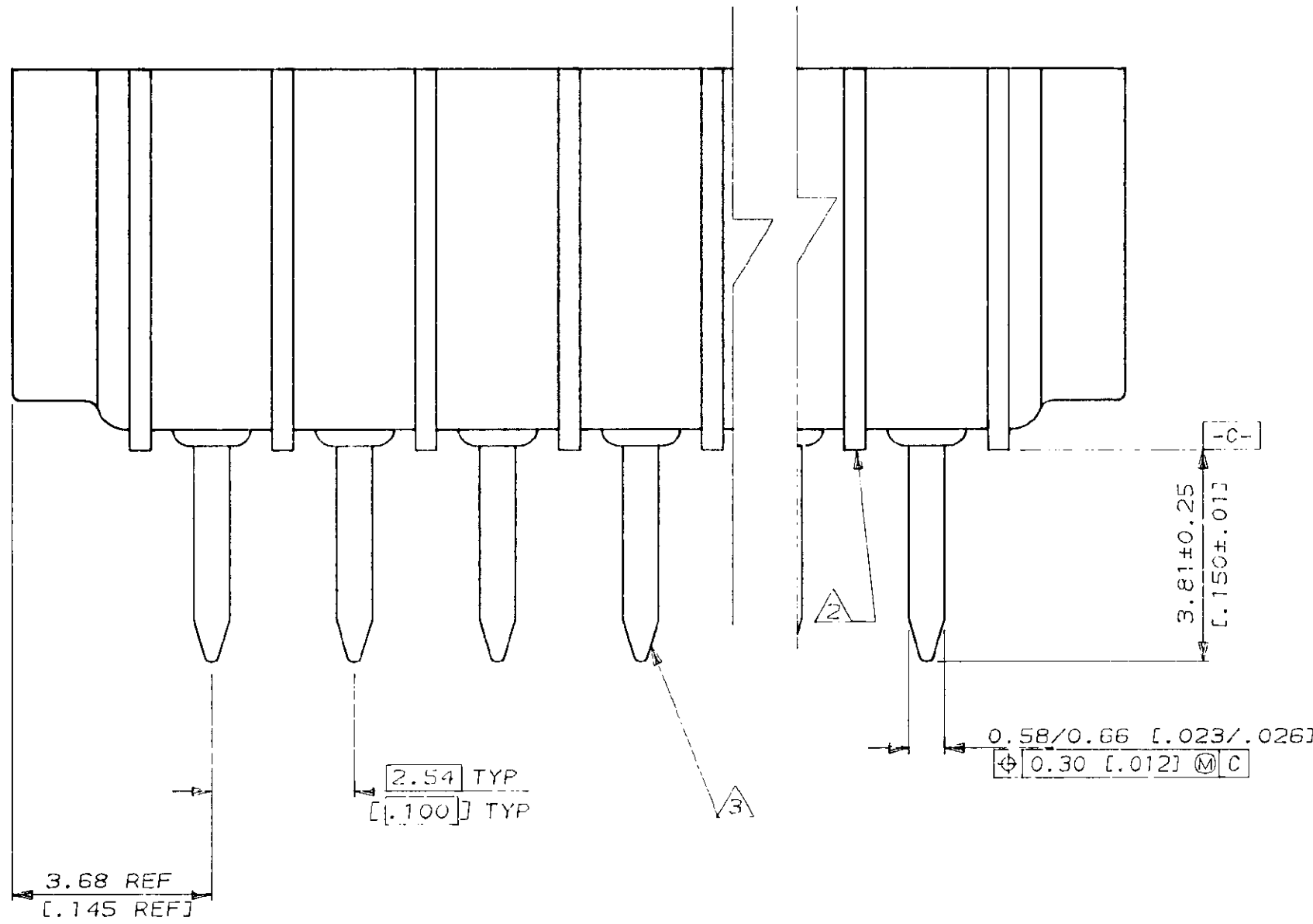


520355  
METRIC  
3rd ANGLE PROJECTION



NOTES

- 1 CONNECTOR WILL ACCEPT FLEXIBLE PRINTED CIRCUIT OR FLAT FLEXIBLE CABLE ON 2.54 [1.00] CENTERS IN A THICKNESS RANGE OF 0.127 TO 0.381 [1.005 TO .015] IN CONTACT AREA
- 2 STAND-OFFS PREVENT SOLVENT ENTRAPMENT
- 3 LEAD-IN ON PINS FOR EASE OF INSERTION INTO BOARD
- 4 SEQUENTIAL CONTACTS REDUCE CABLE INSERTION FORCE
- 5 ACCEPTS CABLE OR CIRCUITRY WITH EXPOSED CONDUCTORS FACING TOWARD OR AWAY FROM THE BOARD SURFACE
- 6 REFER TO APPLICATION SPEC 114-2062
- 7 MATERIAL  
HOUSING : GLASS REINFORCED POLYESTER THERMOPLASTIC UL 94 V0 RATED, BLACK  
CONTACT : PHOS BRONZE WITH MATTE TIN FINISH
- 8 OBSOLETE PARTS: OBSOLETE CIS STREAMLINING PER D.RENAUD/D.SINISI



		LEAD FREE					SUPERSEDED	
8	8	PART NO	B	A	POS	PART NO		
<del>8</del>	<del>8</del>	<del>7-520355-2</del>	<del>60.78 [2.393]</del>	<del>58.57 [2.306]</del>	<del>22</del>	<del>2-520355-2</del>		
<del>8</del>	<del>8</del>	<del>7-520355-1</del>	<del>58.24 [2.293]</del>	<del>56.03 [2.206]</del>	<del>21</del>	<del>2-520355-1</del>		
		7-520355-0	55.70 [2.193]	53.49 [2.106]	20	2-520355-0		
		6-520355-9	53.16 [2.093]	50.95 [2.006]	19	1-520355-9		
		6-520355-8	50.62 [1.993]	48.41 [1.906]	18	1-520355-8		
		6-520355-7	48.08 [1.893]	45.87 [1.806]	17	1-520355-7		
		6-520355-6	45.54 [1.793]	43.33 [1.706]	16	1-520355-6		
		6-520355-5	43.00 [1.693]	40.79 [1.606]	15	1-520355-5		
		6-520355-4	40.46 [1.593]	38.25 [1.506]	14	1-520355-4		
		6-520355-3	37.92 [1.493]	35.71 [1.406]	13	1-520355-3		
		6-520355-2	35.38 [1.393]	33.17 [1.306]	12	1-520355-2		
		6-520355-1	32.84 [1.293]	30.63 [1.206]	11	1-520355-1		
		6-520355-0	30.30 [1.193]	28.09 [1.106]	10	1-520355-0		
		5-520355-9	27.76 [1.093]	25.55 [1.006]	9	520355-9		
		5-520355-8	25.22 [.993]	23.01 [.906]	8	520355-8		
		5-520355-7	22.68 [.893]	20.47 [.806]	7	520355-7		
		5-520355-6	20.14 [.793]	17.93 [.706]	6	520355-6		
		5-520355-5	17.60 [.693]	15.39 [.606]	5	520355-5		
		5-520355-4	15.06 [.593]	12.85 [.506]	4	520355-4		
		5-520355-3	12.52 [.493]	10.31 [.406]	3	520355-3		
		5-520355-2	9.98 [.393]	7.77 [.306]	2	520355-2		

Copyright ©1993		Copyright ©1993 AMP MFG (S) PTE LTD. ALL RIGHTS RESERVED.		<b>AMP</b> AMP MANUFACTURING (S) PRIVATE LIMITED	
L2	REVISED PER ECO-09-026346	KK	AEG	2000V09	
L1	REVISED ECR-06-004332	PM	KS	21FEB06	
L	REVISED FR00-0011-04	SD	PCH	19FEB04	
K	REDRAWN BY/EC/0799	LWY	SL	30.7.93	
LTR	(REVISION RECORD)	DR	CHK	DATE	

(WIRE RANGE)	(INSULATION DIA.)	(NAME)
mm² (AWG - )	mmφ	TRIO-MATE
(MATERIAL)	(FINISH) CONTACTS	VERTICAL CABLE ENTRY
	MATTE TIN/LEAD PLATED	FOR 2.36[.093] THK P.C. BOARD
(GENERAL TOLERANCE)	SIZE	LOC
±0.38	A2	DY
[±.015]	(SCALE)	REV.
	10:1	L2

(No.)	520355
(SCALE)	10:1
REV.	L2
SHEET	1 OF 1

(CUSTOMER DRAWING)

DIMENSIONS IN MM (INCHES). DO NOT SCALE PRINT

PRINT DIST

AMP-1  
REV.10/03