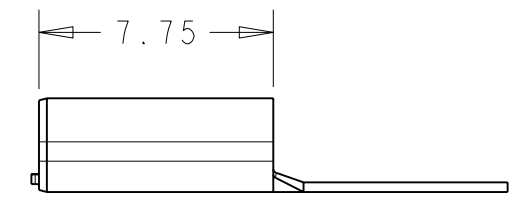
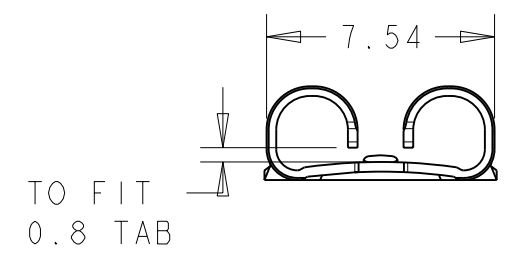
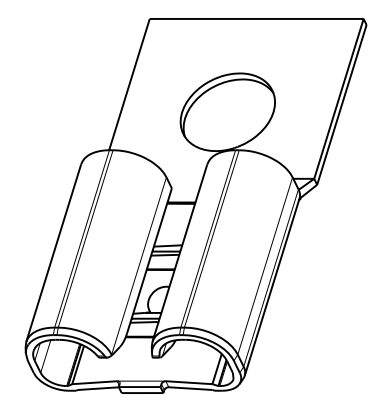
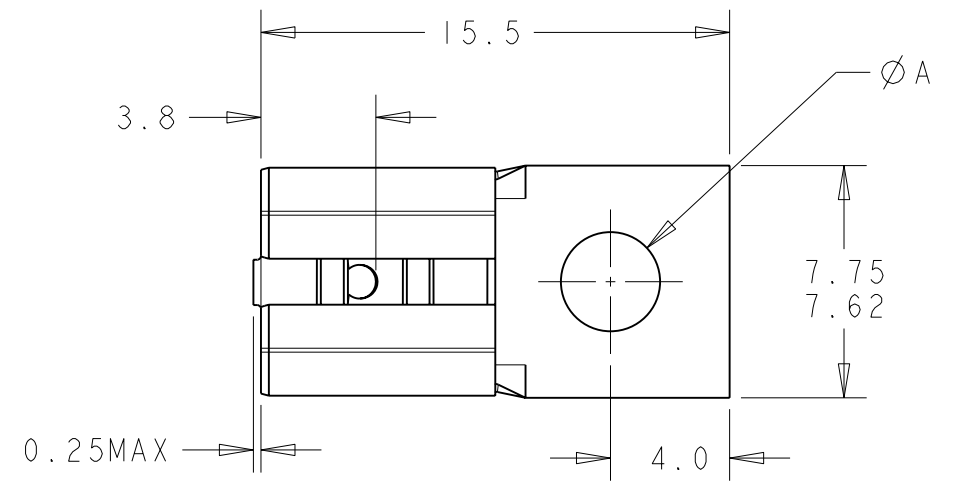
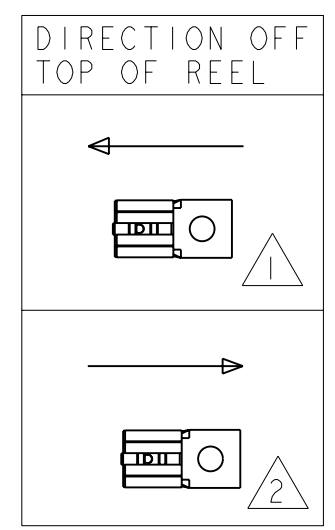


THIS DRAWING IS UNPUBLISHED. RELEASED FOR PUBLICATION 20
 © COPYRIGHT 20 BY TYCO ELECTRONICS CORPORATION. ALL RIGHTS RESERVED.

| LOC | DIST | REVISIONS | | | | | |
|-----|------|-----------|-----|---------------|----------|-----|------|
| B | E | P | LTR | DESCRIPTION | DATE | DWN | APVD |
| | | | F | ECR-09-005096 | 04/03/09 | MJG | JA |
| | | | F1 | ECR-10-000003 | 22APR10 | RK | SRE |
| | | | | | | | |



| | | | | | |
|----------|---|-----------|-------------|----------|-----------------------|
| OBSOLETE | 2 | 2.41/2.49 | PRE TIN | BRASS | 1-151939-4 |
| | 2 | 2.41/2.49 | NONE | BRASS | 1-151939-3 |
| | 2 | 3.28 | NONE | BRASS | 1-151939-1 |
| OBSOLETE | 1 | 3.18 | NONE | BRASS | 1-151939-0 |
| | 1 | 2.41/2.49 | PRE TIN | BRASS | 151939-4 |
| | 1 | 2.41/2.49 | NONE | BRASS | 151939-3 |
| | 1 | 3.28 | ELECTRO TIN | BRASS | 151939-2 |
| | 1 | 3.28 | NONE | BRASS | 151939-1 |
| | 1 | 3.18 | NONE | BRASS | 151939 |
| REELING | | ØA DIM | FINISH | MATERIAL | PART NO |



THIS DRAWING IS A CONTROLLED DOCUMENT FOR TYCO ELECTRONICS CORPORATION IT IS SUBJECT TO CHANGE AND THE CONTROLLING ENGINEERING ORGANIZATION SHOULD BE CONTACTED FOR THE LATEST REVISION.

| DIMENSIONS: | TOLERANCES UNLESS OTHERWISE SPECIFIED: |
|--------------------|--|
| mm | |
| | 0 PLC ±0.4 |
| | 1 PLC ±0.4 |
| | 2 PLC ±0.4 |
| | 3 PLC ±0.4 |
| | 4 PLC ±0.4 |
| | ANGLES ±0.5 |
| MATERIAL See Table | FINISH - |

| | | |
|---------------------------|---------------------------------|---------------------|
| DWN M. GREENER 04MAR2009 | Tyco Electronics UK Ltd. | |
| CHK J. AMBROSE 04MAR2009 | Bideford, North Devon, EX39 4HE | |
| APVD J. AMBROSE 04MAR2009 | NAME FASTON TAB ADAPTOR | |
| PRODUCT SPEC - | - | |
| APPLICATION SPEC - | - | |
| WEIGHT - | SIZE A3 | CAGE CODE 00779 |
| | DRAWING NO C-151939 | RESTRICTED TO - |
| CUSTOMER DRAWING | SCALE 4:1 | SHEET 1 OF 1 REV F1 |