

5

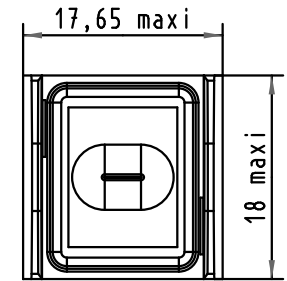
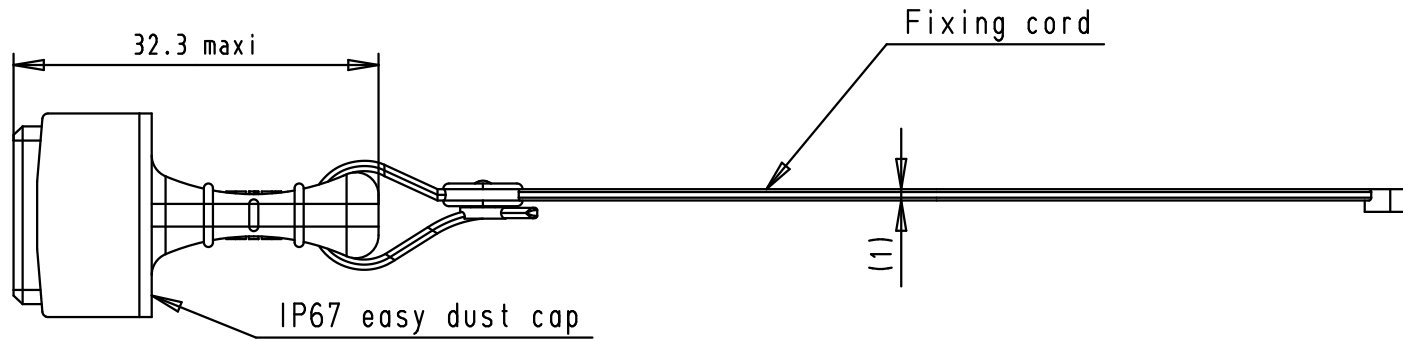
4

3

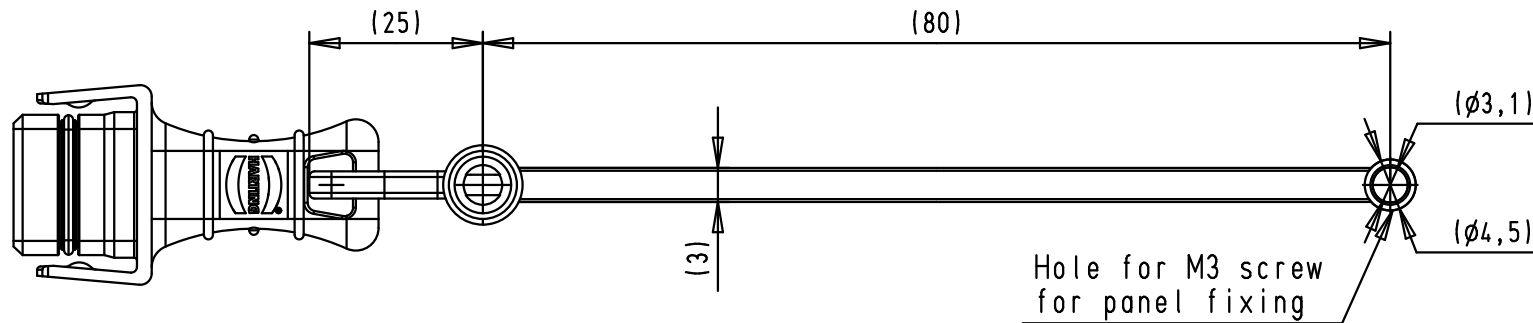
2

1

D

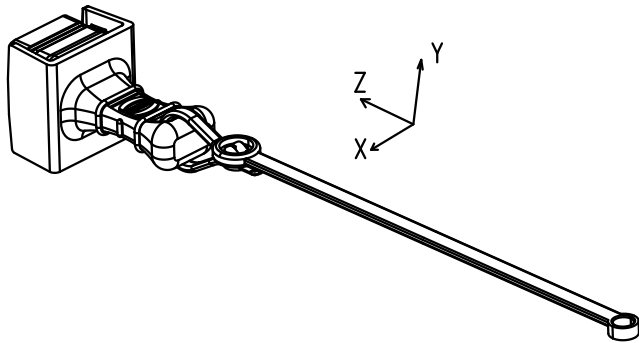


C





B

Preconised range screwing torque for M3 screw: 0.3N.m to 0.35N.m



Part Number	Description	Quantity
09 45 845 0009	IP67 easy dust cap + fixing cord	1
09 45 845 0009 XL	IP67 easy dust cap + fixing cord	100

A

36239	18/03/11	AB		Dat.	Name	 All Dim. in mm Orig. Size DIN A 4	RJ Industrial IP67 Easy dust cap for Push-Pull receptacle with fixing cord and hole for M3 screw	Maßstab/ Scale 1.5:1
35667	05/03/09	AB	Detail.	19Sep2007	ED			
35633	15/12/08	AB	Insp.					
35052	30May2008	AB	Stand.					
34912	10Apr2008	AB						
34766	15Oct2007	ED						
Mod.	Dat.	Name	HARTING EURL F-95972 Paris				TB 09 45 845 0009 Sub.	Blatt/ Page 1 / 1