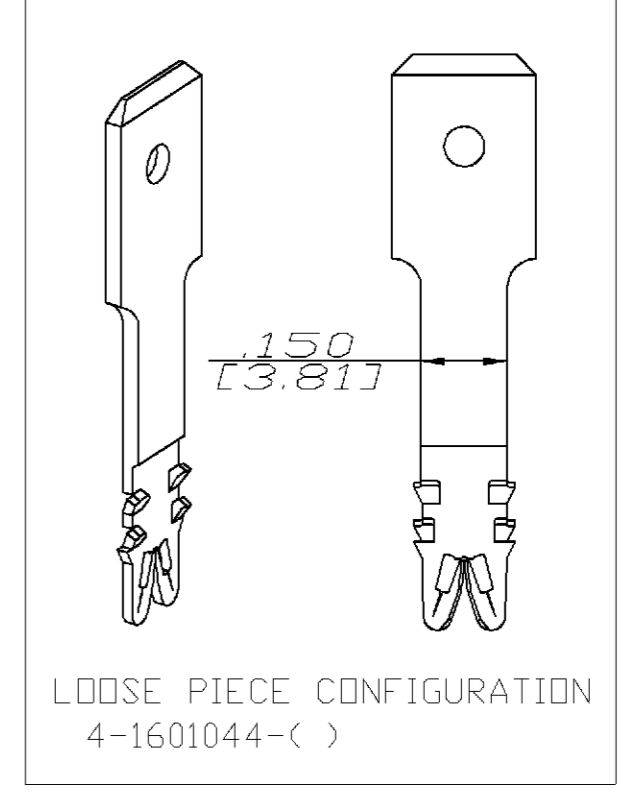
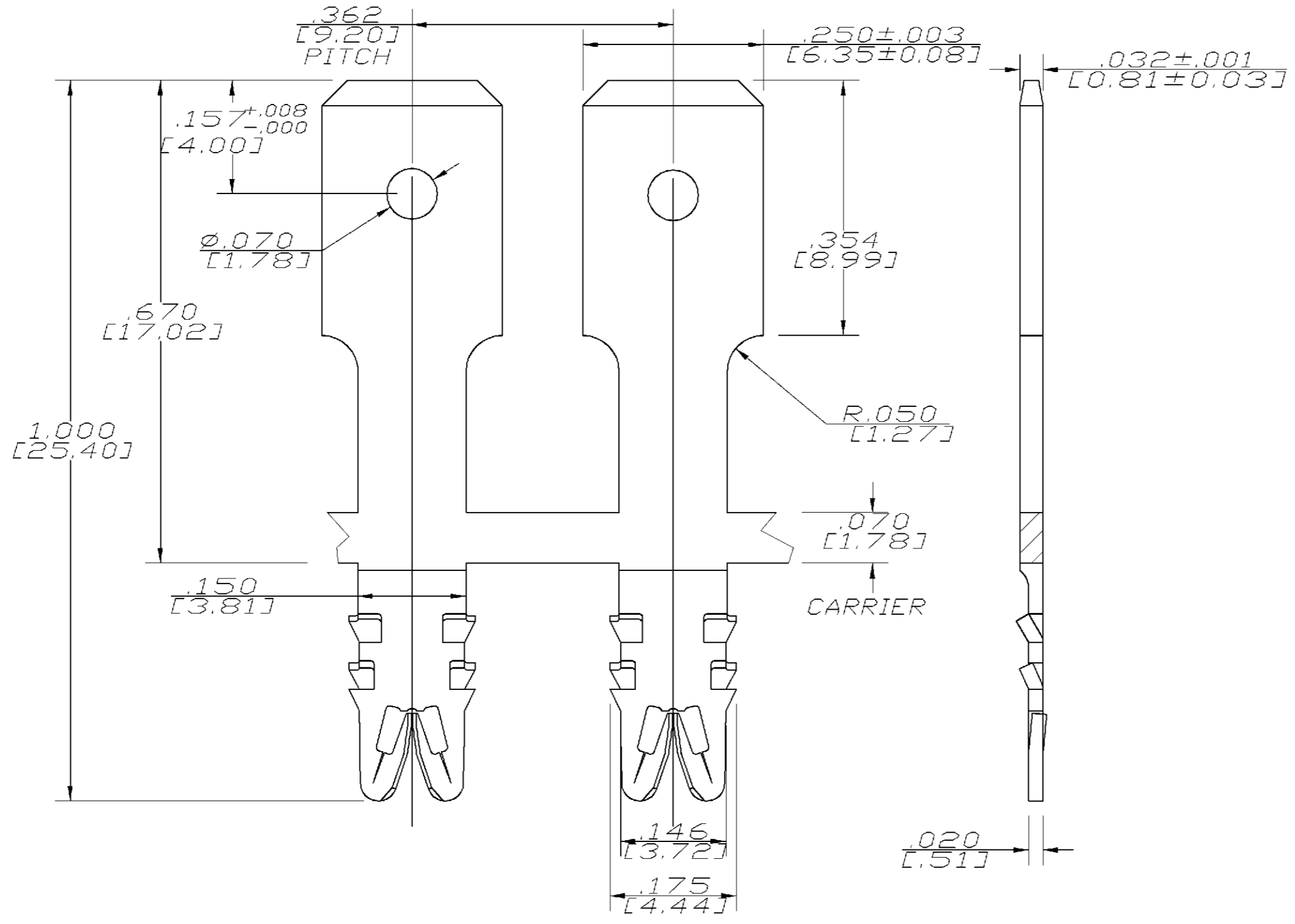
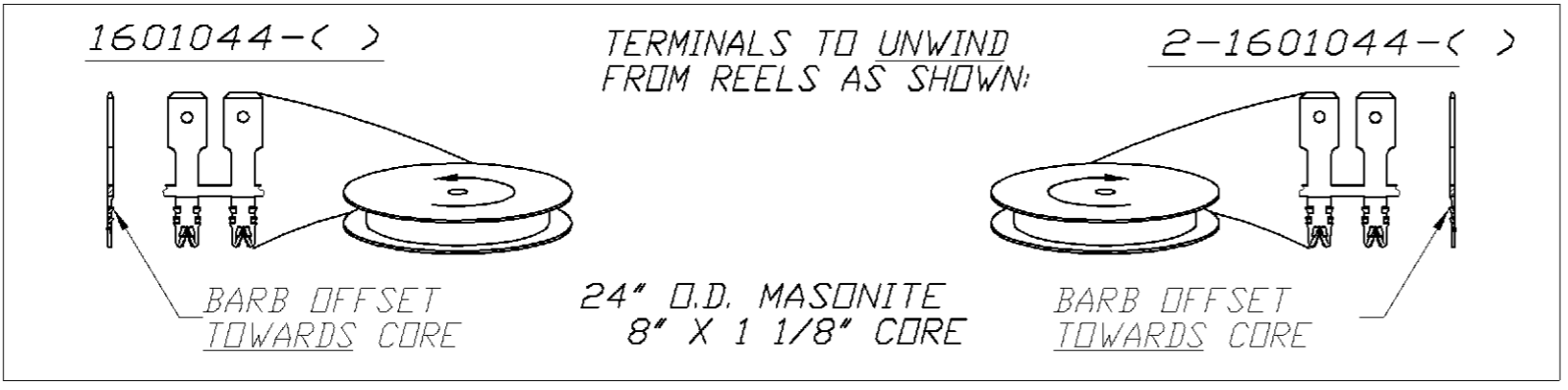


THIS DRAWING IS UNPUBLISHED. RELEASED FOR PUBLICATION
 © COPYRIGHT BY TYCO ELECTRONICS CORPORATION. ALL RIGHTS RESERVED.

LOC	DIST	REVISIONS			
P	LTR	DESCRIPTION	DATE	DWN	APVD
AF	50	A	REV PER 0663-0025-02	25APR02	RCF KR



1. SPECIFICATIONS:
MAGNET WIRE #34 - #18 AWG, .006"(<0.16MM)-.040"(<1.02MM) DIA OTHER SIZES MAY BE ACCOMMODATED, CONSULT TYCO ELECTRONICS FOR APPROVAL.
2. POCKET RECOMMENDATION:
#1601425
3. NOTES
TERMINALS SUPPLIED ON REELS, CAN BE SUPPLIED LOOSE PIECE,



-	-	-									
-	-	-									
-	-	-									
-	-	-									
-	-	-									
-	-	-									
Unplated	131-091-000	1601044-1									
FINISH	REFERENCE PART NUMBER	TYCO PART NUMBER									
THIS DRAWING IS A CONTROLLED DOCUMENT.											
DIMENSIONS: INCHES	TOLERANCES UNLESS OTHERWISE SPECIFIED:	<table border="1"> <tr><td>DWN</td><td>J.WELLER</td><td>11JAN2002</td></tr> <tr><td>CHK</td><td>M.FEHER</td><td>11JAN2002</td></tr> <tr><td>APVD</td><td>K.RANDOLPH</td><td>11JAN2002</td></tr> </table>	DWN	J.WELLER	11JAN2002	CHK	M.FEHER	11JAN2002	APVD	K.RANDOLPH	11JAN2002
DWN	J.WELLER	11JAN2002									
CHK	M.FEHER	11JAN2002									
APVD	K.RANDOLPH	11JAN2002									
0 PLC ± -	1 PLC ± -	PRODUCT SPEC									
2 PLC ± .01[0.13]	3 PLC ± .005[0.026]	APPLICATION SPEC									
4 PLC ± -	ANGLES ± 2°	108-2085									
MATERIAL: BRASS, 3/4 HARD	FINISH: SEE TABLE	408-8629									
CUSTOMER DRAWING		WEIGHT: -									
SCALE: 1:1		SIZE: A2									
SHEET: 1 OF 1		CAGE CODE: 00779									
REV: A		DRAWING NO: C=1601044									
Tyco Electronics Corporation Harrisburg, PA 17105-3608											
NAME: .250 TAB SIAMEZE (X-TRA LONG)											
RESTRICTED TO: -											