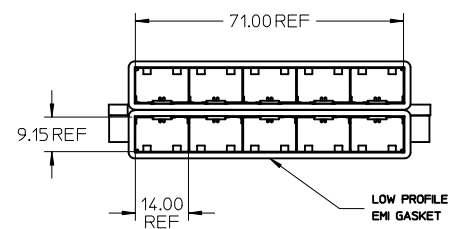
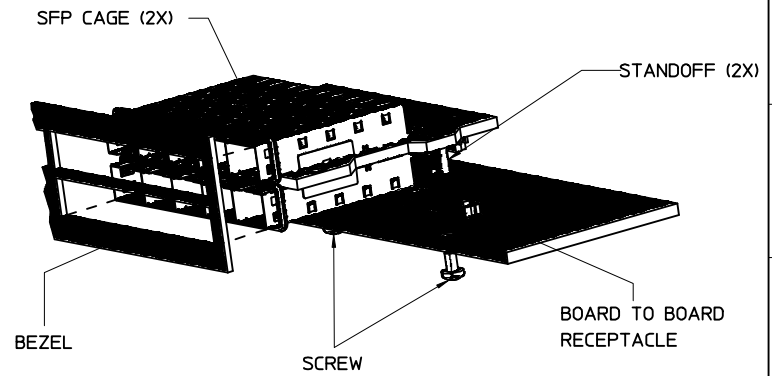


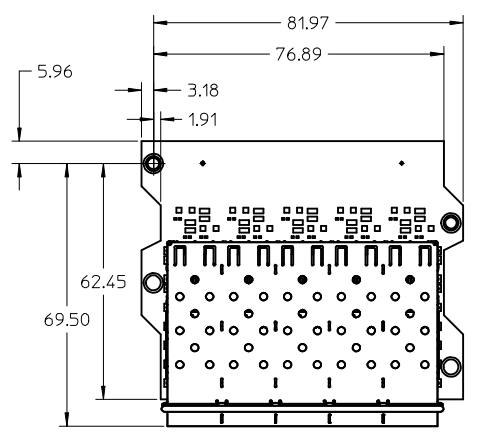
SIDE VIEW



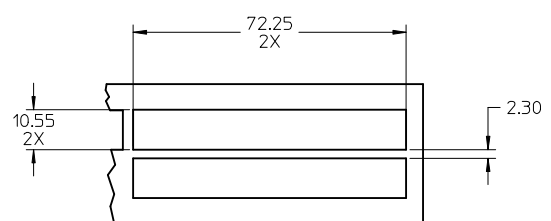
FRONT VIEW



ASSEMBLY PROCESS



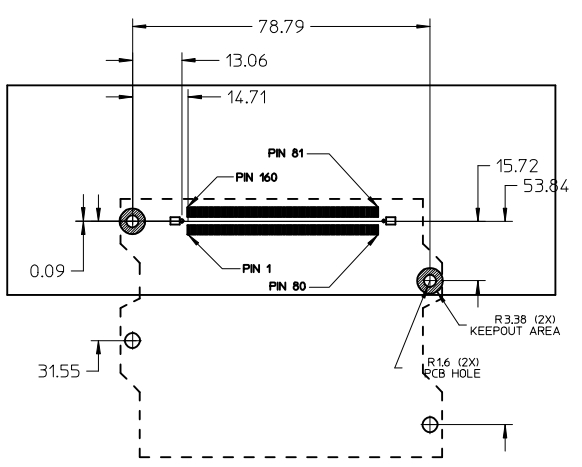
TOP VIEW



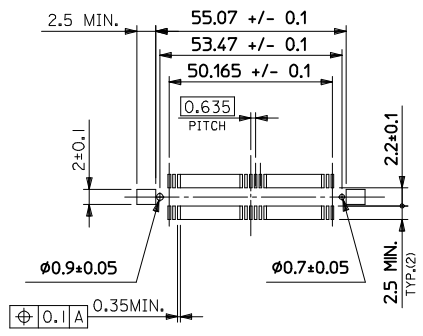
RECOMMENDED BEZEL CUTOUT

NOTES:

- 1.- ASSEMBLY ACCORDING TO IPC-A-610 CLASS 2.
- 2.- ROHS COMPLIANT ASSEMBLY.
- 3.- USE SCREW LENGTH 2-5 mm PLUS MOTHER BOARD THICKNESS.
- 4.- STANDOFF THREAD TO USE M3 SCREW, RECOMMENDED TORQUE 5 LB/IN +/- 0.5 LB/IN.
- 5.- RECOMMENDED CONNECTOR TO USE ON MOTHER BOARD, MOLEX P/N: 528851674.
- 6.- SFP CONNECTOR MOLEX P/N 744410001.
- 7.- FOR RECOMMENDED BEZEL DETAILS SEE CAGE DRAWING MOLEX P/N 747230001.
- 8.- FRONTAL HOLES CAN BE USED TO HOLD THE MODULE TO CHASSIS AND IMPROVE RETENTION WHEN USING A PROPER HEIGHT STANDOFF.



RECOMMENDED HOST BOARD LAYOUT



ENTER DESCRIPTION EC NO: MEX2010-0012 DRAWN: LRUB10 2009/08/04 CHKD: 2009/08/04 APPR: JSABATH 2009/08/05	QUALITY SYMBOLS ▽=0 ▽=0	GENERAL TOLERANCES (UNLESS SPECIFIED)		DIMENSION STYLE MM ONLY	SCALE 1:1	DESIGN UNITS METRIC	THIRD ANGLE PROJECTION		
		4 PLACES ± --- ± --- 3 PLACES ± --- ± --- 2 PLACES ± 0.25 ± --- 1 PLACE ± 0.25 ± ---	mm INCH ± --- ± --- ± --- ± --- ± --- ± ---	DRAWN BY DATE LRUB10 2006/03/09	CHECKED BY DATE JSABATH 2006/03/09	TITLE 2 X 5 STACKED SFP ASSY. ATCA CHASSIS			
		ANGULAR ± --- °		APPROVED BY DATE ELOPEZ 2006/03/09	MATERIAL NO. 795275006				
		DRAFT WHERE APPLICABLE MUST REMAIN WITHIN DIMENSIONS		DOCUMENT NO. SD-79527-5006	SHEET NO. 1 OF 2				

THIS DRAWING CONTAINS INFORMATION THAT IS PROPRIETARY TO MOLEX INCORPORATED AND SHOULD NOT BE USED WITHOUT WRITTEN PERMISSION

FEMALE RECEPTACLE BOARD TO BOARD CONNECTOR

SIGNAL	PIN NO.	SIGNAL	PIN NO.
VEET 1	80	VCCT 1	81
ID 1	78	VXFL 1	82
VEER 2	76	NC 2	83
RD 4	74	NC 2	85
NC 4	72	NC 2	87
RD 1	70	NC 2	89
NC 1	68	NC 2	91
RD 1	66	NC 2	93
VEET 2	64	NC 2	95
ID 2	62	NC 2	97
VEER 3	60	NC 2	99
RD 3	58	NC 2	101
NC 3	56	NC 2	103
RD 4	54	NC 2	105
NC 4	52	NC 2	107
RD 2	50	NC 2	109
NC 2	48	NC 2	111
RD 2	46	NC 2	113
VEET 3	44	NC 2	115
ID 3	42	NC 2	117
VEER 4	40	NC 2	119
RD 4	38	NC 2	121
NC 4	36	NC 2	123
RD 5	34	NC 2	125
NC 5	32	NC 2	127
RD 3	30	NC 2	129
NC 3	28	NC 2	131
RD 3	26	NC 2	133
VEET 4	24	NC 2	135
ID 4	22	NC 2	137
VEER 5	20	NC 2	139
RD 5	18	NC 2	141
NC 5	16	NC 2	143
RD 6	14	NC 2	145
NC 6	12	NC 2	147
RD 4	10	NC 2	149
NC 4	8	NC 2	151
RD 4	6	NC 2	153
NC 4	4	NC 2	155
RD 5	2	NC 2	157
NC 5	1	NC 2	159
RD 6	1	NC 2	161
NC 6	1	NC 2	163
RD 7	1	NC 2	165
NC 7	1	NC 2	167
RD 8	1	NC 2	169
NC 8	1	NC 2	171
RD 9	1	NC 2	173
NC 9	1	NC 2	175
RD 10	1	NC 2	177
NC 10	1	NC 2	179
RD 11	1	NC 2	181
NC 11	1	NC 2	183
RD 12	1	NC 2	185
NC 12	1	NC 2	187
RD 13	1	NC 2	189
NC 13	1	NC 2	191
RD 14	1	NC 2	193
NC 14	1	NC 2	195
RD 15	1	NC 2	197
NC 15	1	NC 2	199
RD 16	1	NC 2	201
NC 16	1	NC 2	203
RD 17	1	NC 2	205
NC 17	1	NC 2	207
RD 18	1	NC 2	209
NC 18	1	NC 2	211
RD 19	1	NC 2	213
NC 19	1	NC 2	215
RD 20	1	NC 2	217
NC 20	1	NC 2	219
RD 21	1	NC 2	221
NC 21	1	NC 2	223
RD 22	1	NC 2	225
NC 22	1	NC 2	227
RD 23	1	NC 2	229
NC 23	1	NC 2	231
RD 24	1	NC 2	233
NC 24	1	NC 2	235
RD 25	1	NC 2	237
NC 25	1	NC 2	239
RD 26	1	NC 2	241
NC 26	1	NC 2	243
RD 27	1	NC 2	245
NC 27	1	NC 2	247
RD 28	1	NC 2	249
NC 28	1	NC 2	251
RD 29	1	NC 2	253
NC 29	1	NC 2	255
RD 30	1	NC 2	257
NC 30	1	NC 2	259
RD 31	1	NC 2	261
NC 31	1	NC 2	263
RD 32	1	NC 2	265
NC 32	1	NC 2	267
RD 33	1	NC 2	269
NC 33	1	NC 2	271
RD 34	1	NC 2	273
NC 34	1	NC 2	275
RD 35	1	NC 2	277
NC 35	1	NC 2	279
RD 36	1	NC 2	281
NC 36	1	NC 2	283
RD 37	1	NC 2	285
NC 37	1	NC 2	287
RD 38	1	NC 2	289
NC 38	1	NC 2	291
RD 39	1	NC 2	293
NC 39	1	NC 2	295
RD 40	1	NC 2	297
NC 40	1	NC 2	299
RD 41	1	NC 2	301
NC 41	1	NC 2	303
RD 42	1	NC 2	305
NC 42	1	NC 2	307
RD 43	1	NC 2	309
NC 43	1	NC 2	311
RD 44	1	NC 2	313
NC 44	1	NC 2	315
RD 45	1	NC 2	317
NC 45	1	NC 2	319
RD 46	1	NC 2	321
NC 46	1	NC 2	323
RD 47	1	NC 2	325
NC 47	1	NC 2	327
RD 48	1	NC 2	329
NC 48	1	NC 2	331
RD 49	1	NC 2	333
NC 49	1	NC 2	335
RD 50	1	NC 2	337
NC 50	1	NC 2	339
RD 51	1	NC 2	341
NC 51	1	NC 2	343
RD 52	1	NC 2	345
NC 52	1	NC 2	347
RD 53	1	NC 2	349
NC 53	1	NC 2	351
RD 54	1	NC 2	353
NC 54	1	NC 2	355
RD 55	1	NC 2	357
NC 55	1	NC 2	359
RD 56	1	NC 2	361
NC 56	1	NC 2	363
RD 57	1	NC 2	365
NC 57	1	NC 2	367
RD 58	1	NC 2	369
NC 58	1	NC 2	371
RD 59	1	NC 2	373
NC 59	1	NC 2	375
RD 60	1	NC 2	377
NC 60	1	NC 2	379
RD 61	1	NC 2	381
NC 61	1	NC 2	383
RD 62	1	NC 2	385
NC 62	1	NC 2	387
RD 63	1	NC 2	389
NC 63	1	NC 2	391
RD 64	1	NC 2	393
NC 64	1	NC 2	395
RD 65	1	NC 2	397
NC 65	1	NC 2	399
RD 66	1	NC 2	401
NC 66	1	NC 2	403
RD 67	1	NC 2	405
NC 67	1	NC 2	407
RD 68	1	NC 2	409
NC 68	1	NC 2	411
RD 69	1	NC 2	413
NC 69	1	NC 2	415
RD 70	1	NC 2	417
NC 70	1	NC 2	419
RD 71	1	NC 2	421
NC 71	1	NC 2	423
RD 72	1	NC 2	425
NC 72	1	NC 2	427
RD 73	1	NC 2	429
NC 73	1	NC 2	431
RD 74	1	NC 2	433
NC 74	1	NC 2	435
RD 75	1	NC 2	437
NC 75	1	NC 2	439
RD 76	1	NC 2	441
NC 76	1	NC 2	443
RD 77	1	NC 2	445
NC 77	1	NC 2	447
RD 78	1	NC 2	449
NC 78	1	NC 2	451
RD 79	1	NC 2	453
NC 79	1	NC 2	455
RD 80	1	NC 2	457
NC 80	1	NC 2	459
RD 81	1	NC 2	461
NC 81	1	NC 2	463
RD 82	1	NC 2	465
NC 82	1	NC 2	467
RD 83	1	NC 2	469
NC 83	1	NC 2	471
RD 84	1	NC 2	473
NC 84	1	NC 2	475
RD 85	1	NC 2	477
NC 85	1	NC 2	479
RD 86	1	NC 2	481
NC 86	1	NC 2	483
RD 87	1	NC 2	485
NC 87	1	NC 2	487
RD 88	1	NC 2	489
NC 88	1	NC 2	491
RD 89	1	NC 2	493
NC 89	1	NC 2	495
RD 90	1	NC 2	497
NC 90	1	NC 2	499
RD 91	1	NC 2	501
NC 91	1	NC 2	503
RD 92	1	NC 2	505
NC 92	1	NC 2	507
RD 93	1	NC 2	509
NC 93	1	NC 2	511
RD 94	1	NC 2	513
NC 94	1	NC 2	515
RD 95	1	NC 2	517
NC 95	1	NC 2	519
RD 96	1	NC 2	521
NC 96	1	NC 2	523
RD 97	1	NC 2	525
NC 97	1	NC 2	527
RD 98	1	NC 2	529
NC 98	1	NC 2	531
RD 99	1	NC 2	533
NC 99	1	NC 2	535
RD 100	1	NC 2	537
NC 100	1	NC 2	539

SFP1 CONNECTOR

SIGNAL	PIN NO.	SIGNAL	PIN NO.
VEET 1	1	VEER 1	11
VXFL 1	2	RD 1	12
VXDS 1	3	RD 1	13
NC 1	4	VEER 1	15
NC 1	5	VCCT 1	16
RD 1	6	VEE 1	17
LD 1	8	ID 1	18
VEER 1	9	ID 1	19
VEET 1	10	VEET 1	20

SFP2 CONNECTOR

SIGNAL	PIN NO.	SIGNAL	PIN NO.
VEET 2	1	VEER 2	11
VXFL 2	2	RD 2	12
VXDS 2	3	RD 2	13
NC 2	4	VEER 2	15
NC 2	5	VCCT 2	16
RD 2	6	VEE 2	17
LD 2	8	VEE 2	17
LD 2	9	ID 2	19
VEER 2	10	VEET 2	20

SFP3 CONNECTOR

SIGNAL	PIN NO.	SIGNAL	PIN NO.
VEET 3	1	VEER 3	11
VXFL 3	2	RD 3	12
VXDS 3	3	RD 3	13
NC 3	4	VEER 3	15
NC 3	5	VCCT 3	16
RD 3	6	VEE 3	17
LD 3	8	VEE 3	17
LD 3	9	ID 3	19
VEER 3	10	VEET 3	20

SFP4 CONNECTOR

SIGNAL	PIN NO.	SIGNAL	PIN NO.
VEET 4	1	VEER 4	11
VXFL 4	2	RD 4	12
VXDS 4	3	RD 4	13
NC 4	4	VEER 4	15
NC 4	5	VCCT 4	16
RD 4	6	VEE 4	17
LD 4	8	VEE 4	17
LD 4	9	ID 4	19
VEER 4	10	VEET 4	20

SFP5 CONNECTOR

SIGNAL	PIN NO.	SIGNAL	PIN NO.
VEET 5	1	VEER 5	11
VXFL 5	2	RD 5	12
VXDS 5	3	RD 5	13
NC 5	4	VEER 5	15
NC 5	5	VCCT 5	16
RD 5	6	VEE 5	17
LD 5	8	VEE 5	17
LD 5	9	ID 5	19
VEER 5	10	VEET 5	20

SFP6 CONNECTOR

SIGNAL	PIN NO.	SIGNAL	PIN NO.
VEET 6	1	VEER 6	11
VXFL 6	2	RD 6	12
VXDS 6	3	RD 6	13
NC 6	4	VEER 6	15
NC 6	5	VCCT 6	16
RD 6	6	VEE 6	17
LD 6	8	ID 6	18
VEER 6	9	ID 6	19
VEET 6	10	VEET 6	20

SFP7 CONNECTOR

SIGNAL	PIN NO.	SIGNAL	PIN NO.
VEET 7	1	VEER 7	11
VXFL 7	2	RD 7	12
VXDS 7	3	RD 7	13
NC 7	4	VEER 7	15
NC 7	5	VCCT 7	16
RD 7	6	VEE 7	17
LD 7	8	VEE 7	17
LD 7	9	ID 7	19
VEER 7	10	VEET 7	20

SFP8 CONNECTOR

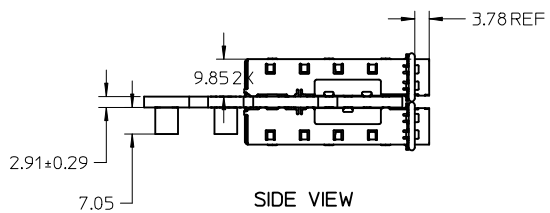
SIGNAL	PIN NO.	SIGNAL	PIN NO.
VEET 8	1	VEER 8	11
VXFL 8	2	RD 8	12
VXDS 8	3	RD 8	13
NC 8	4	VEER 8	15
NC 8	5	VCCT 8	16
RD 8	6	VEE 8	17
LD 8	8	VEE 8	17
LD 8	9	ID 8	19
VEER 8	10	VEET 8	20

SFP9 CONNECTOR

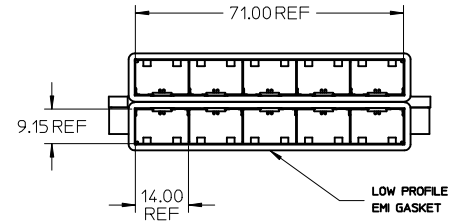
SIGNAL	PIN NO.	SIGNAL	PIN NO.
VEET 9	1	VEER 9	11
VXFL 9	2	RD 9	12
VXDS 9	3	RD 9	13
NC 9	4	VEER 9	15
NC 9	5	VCCT 9	16
RD 9	6	VEE 9	17
LD 9	8	VEE 9	17
LD 9	9	ID 9	19
VEER 9	10	VEET 9	20

SFP10 CONNECTOR

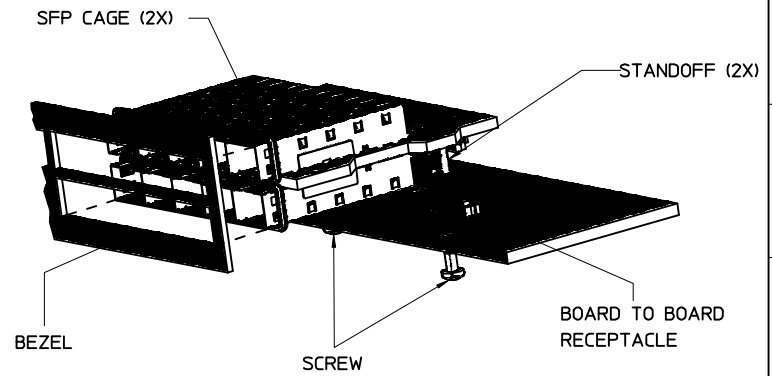
SIGNAL	PIN NO.	SIGNAL	PIN NO.
VEET 10	1	VEER 10	11
VXFL 10	2	RD 10	12
VXDS 10	3	RD	



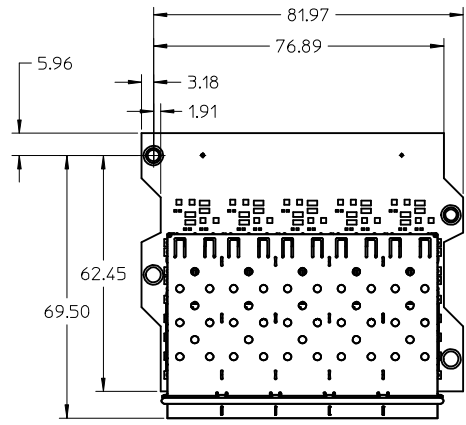
SIDE VIEW



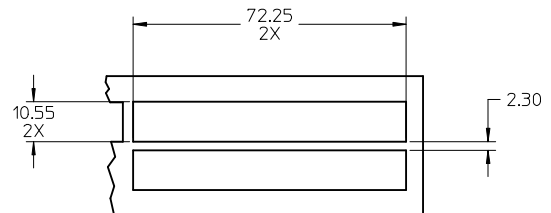
FRONT VIEW



ASSEMBLY PROCESS



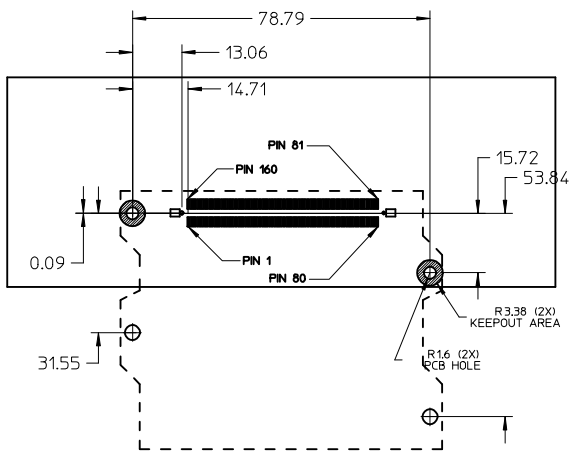
TOP VIEW



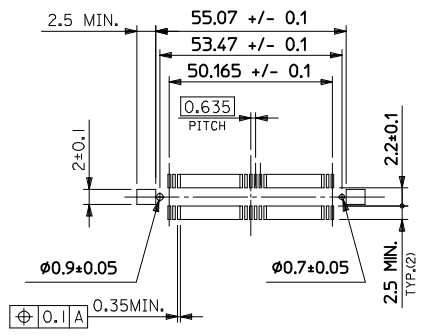
RECOMMENDED BEZEL CUTOUT

NOTES:

- 1.- ASSEMBLY ACCORDING TO IPC-A-610 CLASS 2.
- 2.- ROHS COMPLIANT ASSEMBLY.
- 3.- USE SCREW LENGTH 2-5 mm PLUS MOTHER BOARD THICKNESS.
- 4.- STANDOFF THREAD TO USE M3 SCREW, RECOMMENDED TORQUE 5 LB/IN +/- 0.5 LB/IN.
- 5.- RECOMMENDED CONNECTOR TO USE ON MOTHER BOARD, MOLEX P/N: 528851674.
- 6.- SFP CONNECTOR MOLEX P/N 744410001.
- 7.- FOR RECOMMENDED BEZEL DETAILS SEE CAGE DRAWING MOLEX P/N 747230001.
- 8.- FRONTAL HOLES CAN BE USED TO HOLD THE MODULE TO CHASSIS AND IMPROVE RETENTION WHEN USING A PROPER HEIGHT STANDOFF.



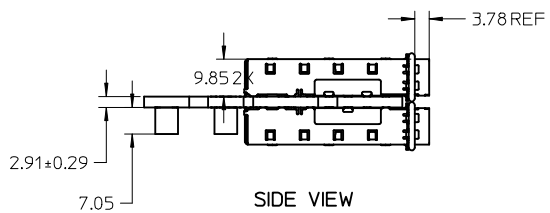
RECOMMENDED HOST BOARD LAYOUT



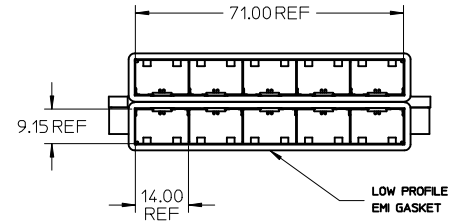
ENTER DESCRIPTION EC NO: MEX2010-0012 DRAWN: LRUB10 2009/08/04 CHKD: 2009/08/04 APPR: JSABATH 2009/08/05	QUALITY SYMBOLS ▽=0 ▽=0	GENERAL TOLERANCES (UNLESS SPECIFIED)		DIMENSION STYLE MM ONLY	SCALE 1:1	DESIGN UNITS METRIC	THIRD ANGLE PROJECTION		
		4 PLACES ± --- ± --- 3 PLACES ± --- ± --- 2 PLACES ± 0.25 ± --- 1 PLACE ± 0.25 ± ---	mm INCH ± --- ± --- ± --- ± --- ± --- ± ---	DRAWN BY DATE LRUB10 2006/03/09	CHECKED BY DATE JSABATH 2006/03/09	TITLE 2 X 5 STACKED SFP ASSY. ATCA CHASSIS			
		APPROVED BY DATE ELOPEZ 2006/03/09		MATERIAL NO. 795275006		DOCUMENT NO. SD-79527-5006		SHEET NO. 1 OF 2	
		DRAFT WHERE APPLICABLE MUST REMAIN WITHIN DIMENSIONS		THIS DRAWING CONTAINS INFORMATION THAT IS PROPRIETARY TO MOLEX INCORPORATED AND SHOULD NOT BE USED WITHOUT WRITTEN PERMISSION					

FEMALE RECEPTACLE BOARD TO BOARD CONNECTOR

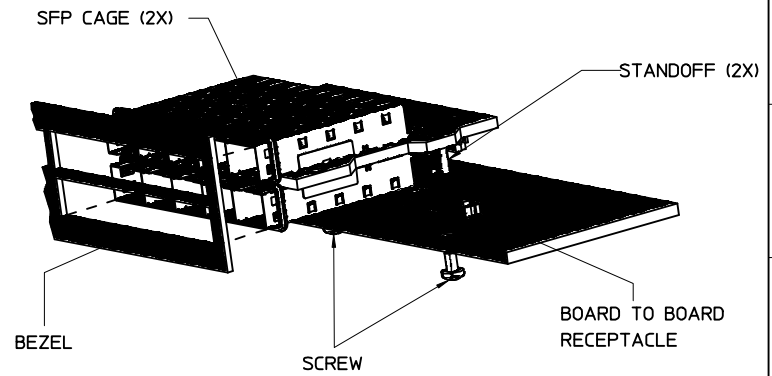
SIGNAL	PIN NO.	SIGNAL	PIN NO.
VEET 1	80	VEET 1	81
ID 1	78	VEET 1	82
VEER 2	76	VEET 1	83
RC 4	74	VEET 1	84
MBP 1	72	VEET 1	85
MBP 2	70	VEET 1	86
MBP 3	68	VEET 1	87
MBP 4	66	VEET 1	88
MBP 5	64	VEET 1	89
MBP 6	62	VEET 1	90
MBP 7	60	VEET 1	91
MBP 8	58	VEET 1	92
MBP 9	56	VEET 1	93
MBP 10	54	VEET 1	94
MBP 11	52	VEET 1	95
MBP 12	50	VEET 1	96
MBP 13	48	VEET 1	97
MBP 14	46	VEET 1	98
MBP 15	44	VEET 1	99
MBP 16	42	VEET 1	100
MBP 17	40	VEET 1	101
MBP 18	38	VEET 1	102
MBP 19	36	VEET 1	103
MBP 20	34	VEET 1	104
MBP 21	32	VEET 1	105
MBP 22	30	VEET 1	106
MBP 23	28	VEET 1	107
MBP 24	26	VEET 1	108
MBP 25	24	VEET 1	109
MBP 26	22	VEET 1	110
MBP 27	20	VEET 1	111
MBP 28	18	VEET 1	112
MBP 29	16	VEET 1	113
MBP 30	14	VEET 1	114
MBP 31	12	VEET 1	115
MBP 32	10	VEET 1	116
MBP 33	8	VEET 1	117
MBP 34	6	VEET 1	118
MBP 35	4	VEET 1	119
MBP 36	2	VEET 1	120
MBP 37	1	VEET 1	121
MBP 38	1	VEET 1	122
MBP 39	1	VEET 1	123
MBP 40	1	VEET 1	124
MBP 41	1	VEET 1	125
MBP 42	1	VEET 1	126
MBP 43	1	VEET 1	127
MBP 44	1	VEET 1	128
MBP 45	1	VEET 1	129
MBP 46	1	VEET 1	130
MBP 47	1	VEET 1	131
MBP 48	1	VEET 1	132
MBP 49	1	VEET 1	133
MBP 50	1	VEET 1	134
MBP 51	1	VEET 1	135
MBP 52	1	VEET 1	136
MBP 53	1	VEET 1	137
MBP 54	1	VEET 1	138
MBP 55	1	VEET 1	139
MBP 56	1	VEET 1	140
MBP 57	1	VEET 1	141
MBP 58	1	VEET 1	142
MBP 59	1	VEET 1	143
MBP 60	1	VEET 1	144
MBP 61	1	VEET 1	145
MBP 62	1	VEET 1	146
MBP 63	1	VEET 1	147
MBP 64	1	VEET 1	148
MBP 65	1	VEET 1	149
MBP 66	1	VEET 1	150
MBP 67	1	VEET 1	151
MBP 68	1	VEET 1	152
MBP 69	1	VEET 1	153
MBP 70	1	VEET 1	154
MBP 71	1	VEET 1	155
MBP 72	1	VEET 1	156
MBP 73	1	VEET 1	157
MBP 74	1	VEET 1	158
MBP 75	1	VEET 1	159
MBP 76	1	VEET 1	160
MBP 77	1	VEET 1	161
MBP 78	1	VEET 1	162
MBP 79	1	VEET 1	163
MBP 80	1	VEET 1	164
MBP 81	1	VEET 1	165
MBP 82	1	VEET 1	166
MBP 83	1	VEET 1	167
MBP 84	1	VEET 1	168
MBP 85	1	VEET 1	169
MBP 86	1	VEET 1	170
MBP 87	1	VEET 1	171
MBP 88	1	VEET 1	172
MBP 89	1	VEET 1	173
MBP 90	1	VEET 1	174
MBP 91	1	VEET 1	175
MBP 92	1	VEET 1	176
MBP 93	1	VEET 1	177
MBP 94	1	VEET 1	178
MBP 95	1	VEET 1	179
MBP 96	1	VEET 1	180
MBP 97	1	VEET 1	181
MBP 98	1	VEET 1	182
MBP 99	1	VEET 1	183
MBP 100	1	VEET 1	184
MBP 101	1	VEET 1	185
MBP 102	1	VEET 1	186
MBP 103	1	VEET 1	187
MBP 104	1	VEET 1	188
MBP 105	1	VEET 1	189
MBP 106	1	VEET 1	190
MBP 107	1	VEET 1	191
MBP 108	1	VEET 1	192
MBP 109	1	VEET 1	193
MBP 110	1	VEET 1	194
MBP 111	1	VEET 1	195
MBP 112	1	VEET 1	196
MBP 113	1	VEET 1	197
MBP 114	1	VEET 1	198
MBP 115	1	VEET 1	199
MBP 116	1	VEET 1	200
MBP 117	1	VEET 1	201
MBP 118	1	VEET 1	202
MBP 119	1	VEET 1	203
MBP 120	1	VEET 1	204
MBP 121	1	VEET 1	205
MBP 122	1	VEET 1	206
MBP 123	1	VEET 1	207
MBP 124	1	VEET 1	208
MBP 125	1	VEET 1	209
MBP 126	1	VEET 1	210
MBP 127	1	VEET 1	211
MBP 128	1	VEET 1	212
MBP 129	1	VEET 1	213
MBP 130	1	VEET 1	214
MBP 131	1	VEET 1	215
MBP 132	1	VEET 1	216
MBP 133	1	VEET 1	217
MBP 134	1	VEET 1	218
MBP 135	1	VEET 1	219
MBP 136	1	VEET 1	220
MBP 137	1	VEET 1	221
MBP 138	1	VEET 1	222
MBP 139	1	VEET 1	223
MBP 140	1	VEET 1	224
MBP 141	1	VEET 1	225
MBP 142	1	VEET 1	226
MBP 143	1	VEET 1	227
MBP 144	1	VEET 1	228
MBP 145	1	VEET 1	229
MBP 146	1	VEET 1	230
MBP 147	1	VEET 1	231
MBP 148	1	VEET 1	232
MBP 149	1	VEET 1	233
MBP 150	1	VEET 1	234
MBP 151	1	VEET 1	235
MBP 152	1	VEET 1	236
MBP 153	1	VEET 1	237
MBP 154	1	VEET 1	238
MBP 155	1	VEET 1	239
MBP 156	1	VEET 1	240
MBP 157	1	VEET 1	241
MBP 158	1	VEET 1	242
MBP 159	1	VEET 1	243
MBP 160	1	VEET 1	244
MBP 161	1	VEET 1	245
MBP 162	1	VEET 1	246
MBP 163	1	VEET 1	247
MBP 164	1	VEET 1	248
MBP 165	1	VEET 1	249
MBP 166	1	VEET 1	250
MBP 167	1	VEET 1	251
MBP 168	1	VEET 1	252
MBP 169	1	VEET 1	253
MBP 170	1	VEET 1	254
MBP 171	1	VEET 1	255
MBP 172	1	VEET 1	256
MBP 173	1	VEET 1	257
MBP 174	1	VEET 1	258
MBP 175	1	VEET 1	259
MBP 176	1	VEET 1	260
MBP 177	1	VEET 1	261
MBP 178	1	VEET 1	262
MBP 179	1	VEET 1	263
MBP 180	1	VEET 1	264
MBP 181	1	VEET 1	265
MBP 182	1	VEET 1	266
MBP 183	1	VEET 1	267
MBP 184	1	VEET 1	268
MBP 185	1	VEET 1	269
MBP 186	1	VEET 1	270
MBP 187	1	VEET 1	271
MBP 188	1	VEET 1	272
MBP 189	1	VEET 1	273
MBP 190	1	VEET 1	274
MBP 191	1	VEET 1	275
MBP 192	1	VEET 1	276
MBP 193	1	VEET 1	277
MBP 194	1	VEET 1	278
MBP 195	1	VEET 1	279
MBP 196	1	VEET 1	280
MBP 197	1	VEET 1	281
MBP 198	1	VEET 1	282
MBP 199	1	VEET 1	283
MBP 200	1	VEET 1	284
MBP 201	1	VEET 1	285
MBP 202	1	VEET 1	286
MBP 203	1	VEET 1	287
MBP 204	1	VEET 1	288
MBP 205	1	VEET 1	289
MBP 206	1	VEET 1	290
MBP 207	1	VEET 1	291
MBP 208	1	VEET 1	292
MBP 209	1	VEET 1	293
MBP 210	1	VEET 1	294
MBP 211	1	VEET 1	295
MBP 212	1	VEET 1	296
MBP 213	1	VEET 1	297
MBP 214	1	VEET 1	298
MBP 215	1	VEET 1	299
MBP 216	1	VEET 1	300
MBP 217	1	VEET 1	301
MBP 218	1	VEET 1	302
MBP 219	1	VEET 1	303
MBP 220	1	VEET 1	304
MBP 221	1	VEET 1	305
MBP 222	1	VEET 1	306
MBP 223	1	VEET 1	307
MBP 224	1	VEET 1	308
MBP 225	1	VEET 1	309
MBP 226	1	VEET 1	310
MBP 227	1	VEET 1	311
MBP 228	1	VEET 1	312
MBP 229	1	VEET 1	313
MBP 230	1	VEET 1	314
MBP 231	1	VEET 1	315
MBP 232	1	VEET 1	316
MBP 233	1	VEET 1	317
MBP 234	1	VEET 1	318
MBP 235	1	VEET 1	319
MBP 236	1	VEET 1	320
MBP 237	1	VEET 1	321
MBP 238	1	VEET 1	322
MBP 239	1	VEET 1	323
MBP 240	1	VEET 1	324
MBP 241	1	VEET 1	325
MBP 242	1	VEET 1	326
MBP 243	1	VEET 1	327
MBP 244	1	VEET 1	328
MBP 245	1	VEET 1	329
MBP 246	1	VEET 1	330
MBP 247	1	VEET 1	331
MBP 248	1	VEET 1	332
MBP 249	1	VEET 1	333
MBP 250	1	VEET 1	334
MBP 251	1	VEET 1	335
MBP 252	1	VEET 1	336
MBP 253	1	VEET 1	337
MBP 254	1	VEET 1	338
MBP 255	1	VEET 1	339
MBP 256	1	VEET 1	340
MBP 257	1	VEET 1	341
MBP 258	1	VEET 1	342
MBP 259	1	VEET 1	343
MBP 260	1	VEET 1	344
MBP 261	1	VEET 1	345
MBP 262	1	VEET 1	346
MBP 263	1	VEET 1	347
MBP 264	1	VEET 1	348
MBP 265	1	VEET 1	349
MBP 266	1	VEET 1	350
MBP 267	1	VEET 1	351
MBP 268	1	VEET 1	352
MBP 269	1	VEET 1	353
MBP 270	1	VEET 1	354
MBP 271	1	VEET 1	355
MBP 272	1	VEET 1	356
MBP 273	1	VEET 1	357
MBP 274	1	VEET 1	358
MBP 275	1	VEET 1	359
MBP 276	1	VEET 1	360
MBP 277	1	VEET 1	361
MBP 278	1	VEET 1	362
MBP 279	1	VEET 1	363
MBP 280	1	VEET 1	364
MBP 281	1	VEET 1	365
MBP 282	1	VEET 1	366
MBP 283	1	VEET 1	367
MBP 284	1	VEET 1	368
MBP 285	1	VEET 1	369
MBP 286	1	VEET 1	370
MBP 287	1	VEET 1	371
MBP 288	1	VEET 1	372
MBP 289	1	VEET 1	373
MBP 290	1	VEET 1	374
MBP 291	1	VEET 1	375
MBP 292	1	VEET 1	376
MBP 293	1	VEET 1	377
MBP 294	1	VEET 1	378
MBP 295	1	VEET 1	379
MBP 296	1	VEET 1	380
MBP 297	1	VEET 1	381
MBP 298	1	VEET 1	382
MBP 299	1	VEET 1	383
MBP 300	1	VEET 1	384
MBP 301	1	VEET 1	385
MBP 302	1	VEET 1	386
MBP 303	1	VEET 1	387
MBP 304	1	VEET 1	388
MBP 305	1	VEET 1	389
MBP 306	1	VEET 1	390
MBP 307	1	VEET 1	391
MBP 308	1	VEET 1	392
MBP 309	1	VEET 1	393
MBP 310	1	VEET 1	394
MBP 311	1	VEET 1	395
MBP 312	1	VEET 1	396
MBP 313	1	VEET 1	397



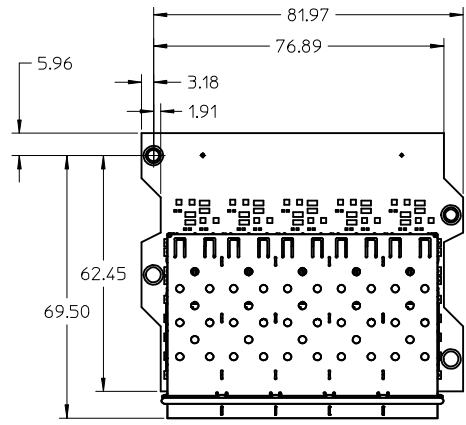
SIDE VIEW



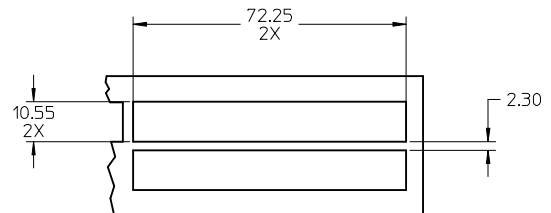
FRONT VIEW



ASSEMBLY PROCESS



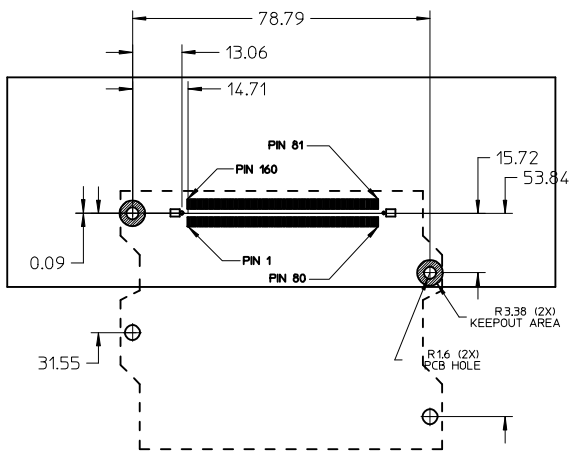
TOP VIEW



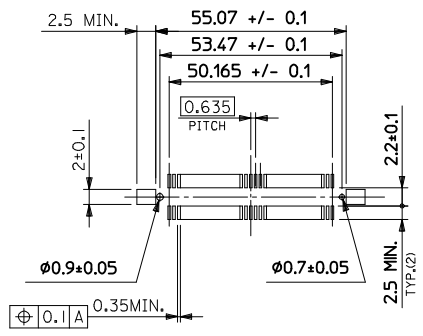
RECOMMENDED BEZEL CUTOUT

NOTES:

- 1.- ASSEMBLY ACCORDING TO IPC-A-610 CLASS 2.
- 2.- ROHS COMPLIANT ASSEMBLY.
- 3.- USE SCREW LENGTH 2-5 mm PLUS MOTHER BOARD THICKNESS.
- 4.- STANDOFF THREAD TO USE M3 SCREW, RECOMMENDED TORQUE 5 LB/IN +/- 0.5 LB/IN.
- 5.- RECOMMENDED CONNECTOR TO USE ON MOTHER BOARD, MOLEX P/N: 528851674.
- 6.- SFP CONNECTOR MOLEX P/N 744410001.
- 7.- FOR RECOMMENDED BEZEL DETAILS SEE CAGE DRAWING MOLEX P/N 747230001.
- 8.- FRONTAL HOLES CAN BE USED TO HOLD THE MODULE TO CHASSIS AND IMPROVE RETENTION WHEN USING A PROPER HEIGHT STANDOFF.



RECOMMENDED HOST BOARD LAYOUT



ENTER DESCRIPTION EC NO: MEX2010-0012 DRAWN: LRUB10 2009/08/04 CHKD: 2009/08/04 APPR: JSABATH 2009/08/05	QUALITY SYMBOLS ▽=0 ▽=0	GENERAL TOLERANCES (UNLESS SPECIFIED)		DIMENSION STYLE MM ONLY	SCALE 1:1	DESIGN UNITS METRIC	THIRD ANGLE PROJECTION	
		4 PLACES ± --- ± --- 3 PLACES ± --- ± --- 2 PLACES ± 0.25 ± --- 1 PLACE ± 0.25 ± ---	mm INCH ± --- ± --- ± 0.25 ± --- ± 0.25 ± ---	DRAWN BY DATE LRUB10 2006/03/09	CHECKED BY DATE JSABATH 2006/03/09	TITLE 2 X 5 STACKED SFP ASSY. ATCA CHASSIS		
6	REV	DRAFT WHERE APPLICABLE MUST REMAIN WITHIN DIMENSIONS		APPROVED BY DATE ELOPEZ 2006/03/09	MATERIAL NO. 795275006			DOCUMENT NO. SD-79527-5006
				SIZE C	THIS DRAWING CONTAINS INFORMATION THAT IS PROPRIETARY TO MOLEX INCORPORATED AND SHOULD NOT BE USED WITHOUT WRITTEN PERMISSION			
				SHEET NO. 1 OF 2				

FEMALE RECEPTACLE BOARD TO BOARD CONNECTOR

SIGNAL	PIN NO.	SIGNAL	PIN NO.
VEET 1	80	VCCP 1	81
ID 1	78	VXPL 1	82
VEER 2	76	MDP2 1	83
RC 4	74	MDP2 1	85
MDP1 1	72	MDP1 1	87
MDP1 2	70	MDP1 2	89
MDP1 3	68	MDP1 3	91
MDP1 4	66	MDP1 4	93
MDP1 5	64	MDP1 5	95
MDP1 6	62	MDP1 6	97
MDP1 7	60	MDP1 7	99
MDP1 8	58	MDP1 8	101
MDP1 9	56	MDP1 9	103
MDP1 10	54	MDP1 10	105
MDP1 11	52	MDP1 11	107
MDP1 12	50	MDP1 12	109
MDP1 13	48	MDP1 13	111
MDP1 14	46	MDP1 14	113
MDP1 15	44	MDP1 15	115
MDP1 16	42	MDP1 16	117
MDP1 17	40	MDP1 17	119
MDP1 18	38	MDP1 18	121
MDP1 19	36	MDP1 19	123
MDP1 20	34	MDP1 20	125
MDP1 21	32	MDP1 21	127
MDP1 22	30	MDP1 22	129
MDP1 23	28	MDP1 23	131
MDP1 24	26	MDP1 24	133
MDP1 25	24	MDP1 25	135
MDP1 26	22	MDP1 26	137
MDP1 27	20	MDP1 27	139
MDP1 28	18	MDP1 28	141
MDP1 29	16	MDP1 29	143
MDP1 30	14	MDP1 30	145
MDP1 31	12	MDP1 31	147
MDP1 32	10	MDP1 32	149
MDP1 33	8	MDP1 33	151
MDP1 34	6	MDP1 34	153
MDP1 35	4	MDP1 35	155
MDP1 36	2	MDP1 36	157
MDP1 37	1	MDP1 37	159
MDP1 38	1	MDP1 38	161
MDP1 39	1	MDP1 39	163
MDP1 40	1	MDP1 40	165
MDP1 41	1	MDP1 41	167
MDP1 42	1	MDP1 42	169
MDP1 43	1	MDP1 43	171
MDP1 44	1	MDP1 44	173
MDP1 45	1	MDP1 45	175
MDP1 46	1	MDP1 46	177
MDP1 47	1	MDP1 47	179
MDP1 48	1	MDP1 48	181
MDP1 49	1	MDP1 49	183
MDP1 50	1	MDP1 50	185
MDP1 51	1	MDP1 51	187
MDP1 52	1	MDP1 52	189
MDP1 53	1	MDP1 53	191
MDP1 54	1	MDP1 54	193
MDP1 55	1	MDP1 55	195
MDP1 56	1	MDP1 56	197
MDP1 57	1	MDP1 57	199
MDP1 58	1	MDP1 58	201
MDP1 59	1	MDP1 59	203
MDP1 60	1	MDP1 60	205
MDP1 61	1	MDP1 61	207
MDP1 62	1	MDP1 62	209
MDP1 63	1	MDP1 63	211
MDP1 64	1	MDP1 64	213
MDP1 65	1	MDP1 65	215
MDP1 66	1	MDP1 66	217
MDP1 67	1	MDP1 67	219
MDP1 68	1	MDP1 68	221
MDP1 69	1	MDP1 69	223
MDP1 70	1	MDP1 70	225
MDP1 71	1	MDP1 71	227
MDP1 72	1	MDP1 72	229
MDP1 73	1	MDP1 73	231
MDP1 74	1	MDP1 74	233
MDP1 75	1	MDP1 75	235
MDP1 76	1	MDP1 76	237
MDP1 77	1	MDP1 77	239
MDP1 78	1	MDP1 78	241
MDP1 79	1	MDP1 79	243
MDP1 80	1	MDP1 80	245
MDP1 81	1	MDP1 81	247
MDP1 82	1	MDP1 82	249
MDP1 83	1	MDP1 83	251
MDP1 84	1	MDP1 84	253
MDP1 85	1	MDP1 85	255
MDP1 86	1	MDP1 86	257
MDP1 87	1	MDP1 87	259
MDP1 88	1	MDP1 88	261
MDP1 89	1	MDP1 89	263
MDP1 90	1	MDP1 90	265
MDP1 91	1	MDP1 91	267
MDP1 92	1	MDP1 92	269
MDP1 93	1	MDP1 93	271
MDP1 94	1	MDP1 94	273
MDP1 95	1	MDP1 95	275
MDP1 96	1	MDP1 96	277
MDP1 97	1	MDP1 97	279
MDP1 98	1	MDP1 98	281
MDP1 99	1	MDP1 99	283
MDP1 100	1	MDP1 100	285
MDP1 101	1	MDP1 101	287
MDP1 102	1	MDP1 102	289
MDP1 103	1	MDP1 103	291
MDP1 104	1	MDP1 104	293
MDP1 105	1	MDP1 105	295
MDP1 106	1	MDP1 106	297
MDP1 107	1	MDP1 107	299
MDP1 108	1	MDP1 108	301
MDP1 109	1	MDP1 109	303
MDP1 110	1	MDP1 110	305
MDP1 111	1	MDP1 111	307
MDP1 112	1	MDP1 112	309
MDP1 113	1	MDP1 113	311
MDP1 114	1	MDP1 114	313
MDP1 115	1	MDP1 115	315
MDP1 116	1	MDP1 116	317
MDP1 117	1	MDP1 117	319
MDP1 118	1	MDP1 118	321
MDP1 119	1	MDP1 119	323
MDP1 120	1	MDP1 120	325
MDP1 121	1	MDP1 121	327
MDP1 122	1	MDP1 122	329
MDP1 123	1	MDP1 123	331
MDP1 124	1	MDP1 124	333
MDP1 125	1	MDP1 125	335
MDP1 126	1	MDP1 126	337
MDP1 127	1	MDP1 127	339
MDP1 128	1	MDP1 128	341
MDP1 129	1	MDP1 129	343
MDP1 130	1	MDP1 130	345
MDP1 131	1	MDP1 131	347
MDP1 132	1	MDP1 132	349
MDP1 133	1	MDP1 133	351
MDP1 134	1	MDP1 134	353
MDP1 135	1	MDP1 135	355
MDP1 136	1	MDP1 136	357
MDP1 137	1	MDP1 137	359
MDP1 138	1	MDP1 138	361
MDP1 139	1	MDP1 139	363
MDP1 140	1	MDP1 140	365
MDP1 141	1	MDP1 141	367
MDP1 142	1	MDP1 142	369
MDP1 143	1	MDP1 143	371
MDP1 144	1	MDP1 144	373
MDP1 145	1	MDP1 145	375
MDP1 146	1	MDP1 146	377
MDP1 147	1	MDP1 147	379
MDP1 148	1	MDP1 148	381
MDP1 149	1	MDP1 149	383
MDP1 150	1	MDP1 150	385
MDP1 151	1	MDP1 151	387
MDP1 152	1	MDP1 152	389
MDP1 153	1	MDP1 153	391
MDP1 154	1	MDP1 154	393
MDP1 155	1	MDP1 155	395
MDP1 156	1	MDP1 156	397
MDP1 157	1	MDP1 157	399
MDP1 158	1	MDP1 158	401
MDP1 159	1	MDP1 159	403
MDP1 160	1	MDP1 160	405
MDP1 161	1	MDP1 161	407
MDP1 162	1	MDP1 162	409
MDP1 163	1	MDP1 163	411
MDP1 164	1	MDP1 164	413
MDP1 165	1	MDP1 165	415
MDP1 166	1	MDP1 166	417
MDP1 167	1	MDP1 167	419
MDP1 168	1	MDP1 168	421
MDP1 169	1	MDP1 169	423
MDP1 170	1	MDP1 170	425
MDP1 171	1	MDP1 171	427
MDP1 172	1	MDP1 172	429
MDP1 173	1	MDP1 173	431
MDP1 174	1	MDP1 174	433
MDP1 175	1	MDP1 175	435
MDP1 176	1	MDP1 176	437
MDP1 177	1	MDP1 177	439
MDP1 178	1	MDP1 178	441
MDP1 179	1	MDP1 179	443
MDP1 180	1	MDP1 180	445
MDP1 181	1	MDP1 181	447
MDP1 182	1	MDP1 182	449
MDP1 183	1	MDP1 183	451
MDP1 184	1	MDP1 184	453
MDP1 185	1	MDP1 185	455
MDP1 186	1	MDP1 186	457
MDP1 187	1	MDP1 187	459
MDP1 188	1	MDP1 188	461
MDP1 189	1	MDP1 189	463
MDP1 190	1	MDP1 190	465
MDP1 191	1	MDP1 191	467
MDP1 192	1	MDP1 192	469
MDP1 193	1	MDP1 193	471
MDP1 194	1	MDP1 194	473
MDP1 195	1	MDP1 195	475
MDP1 196	1	MDP1 196	477
MDP1 197	1	MDP1 197	479
MDP1 198	1	MDP1 198	481
MDP1 199	1	MDP1 199	483
MDP1 200	1	MDP1 200	485
MDP1 201	1	MDP1 201	487
MDP1 202	1	MDP1 202	489
MDP1 203	1	MDP1 203	491
MDP1 204	1	MDP1 204	493
MDP1 205	1	MDP1 205	495
MDP1 206	1	MDP1 206	497
MDP1 207	1	MDP1 207	499
MDP1 208	1	MDP1 208	501
MDP1 209	1	MDP1 209	503
MDP1 210	1	MDP1 210	505
MDP1 211	1	MDP1 211	507
MDP1 212	1	MDP1 212	509
MDP1 213	1	MDP1 213	511
MDP1 214	1	MDP1 214	513
MDP1 215	1	MDP1 215	515
MDP1 216	1	MDP1 216	517
MDP1 217	1	MDP1 217	519
MDP1 218	1	MDP1 218	521
MDP1 219	1	MDP1 219	523
MDP1 220	1	MDP1 220	525
MDP1 221	1	MDP1 221	527
MDP1 222	1	MDP1 222	529
MDP1 223	1	MDP1 223	531
MDP1 224	1	MDP1 224	533
MDP1 225	1	MDP1 225	535
MDP1 226	1	MDP1 226	537
MDP1 227	1	MDP1 227	539
MDP1 228	1	MDP1 228	541
MDP1 229	1	MDP1 229	543
MDP1 230	1	MDP1 230	545
MDP1 231	1	MDP1 231	547
MDP1 232	1	MDP1 232	549
MDP1 233	1	MDP1 233	551
MDP1 234	1	MDP1 234	553
MDP1 235	1	MDP1 235	555
MDP1 236	1	MDP1 236	557
MDP1 237	1	MDP1 237	559
MDP1 238	1	MDP1 238	561
MDP1 239	1	MDP1 239	563
MDP1 240	1	MDP1 240	565
MDP1 241	1	MDP1 241	567
MDP1 242	1	MDP1 242	569
MDP1 243	1	MDP1 243	571
MDP1 244	1	MDP1 244	573
MDP1 245	1	MDP1 245	575
MDP1 246	1	MDP1 246	577
MDP1 247	1	MDP1 247	579
MDP1 248	1	MDP1 248	581
MDP1 249	1	MDP1 249	583
MDP1 250	1	MDP1 250	585
MDP1 251	1	MDP1 251	587
MDP1 252	1	MDP1 252	589
MDP1 253	1	MDP1 253	591
MDP1 254	1	MDP1 254	593
MDP1 255	1	MDP1 255	595
MDP1 256	1	MDP1 256	597
MDP1 257	1	MDP1 257	599
MDP1 258	1	MDP1 258	601
MDP1 259	1	MDP1 259	603
MDP1 260	1	MDP1 260	605
MDP1 261	1	MDP1 261	607
MDP1 262	1	MDP1 262	609
MDP1 263	1	MDP1 263	611
MDP1 264	1	MDP1 264	613
MDP1 265	1	MDP1 265	615
MDP1 266	1	MDP1 266	617
MDP1 267	1	MDP1 267	619
MDP1 268	1	MDP1 268	621
MDP1 269	1	MDP1 269	623
MDP1 270	1	MDP1 270	625
MDP1 271	1	MDP1 271	627
MDP1 272	1	MDP1 272	629
MDP1 273	1	MDP1 273	631
MDP1 274	1	MDP1 274	633
MDP1 275	1	MDP1 275	635
MDP1 276	1	MDP1 276	637
MDP1 277	1	MDP1 277	639
MDP1 278	1	MDP1 278	641
MDP1 279	1	MDP1 279	643
MDP1 280	1	MDP1 280	645
MDP1 281	1	MDP1 281	647
MDP1 282	1	MDP1 282	649
MDP1 283	1	MDP1 283	651
MDP1 284	1	MDP1 284	653
MDP1 285	1	MDP1 285	655
MDP1 286	1	MDP1 286	657