

THIS INFORMATION IS CONFIDENTIAL AND PROPRIETARY TO CW INDUSTRIES INCORPORATED AND ITS AFFILIATES. IT MAY NOT BE DISCLOSED TO ANYONE OTHER THAN CW INDUSTRIES PERSONNEL, WITHOUT WRITTEN AUTHORIZATION FROM CW INDUSTRIES INCORPORATED, SOUTHAMPTON, PENNSYLVANIA USA.

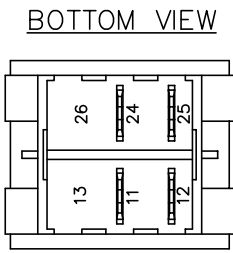
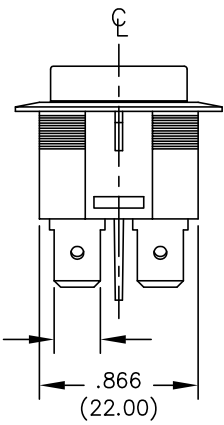
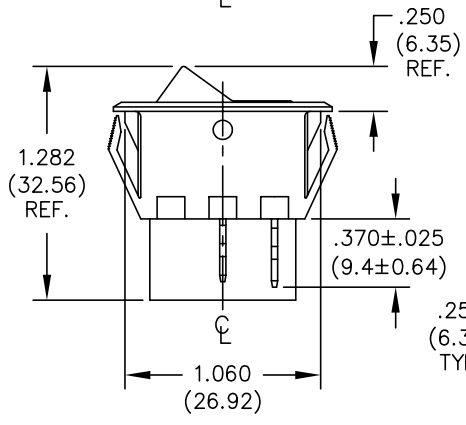
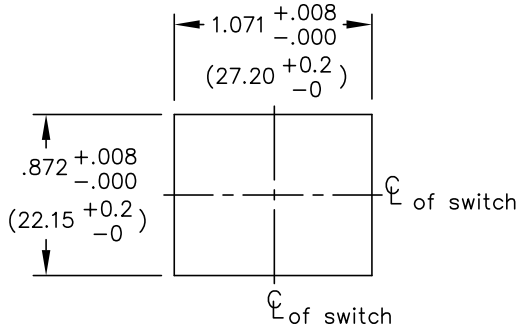
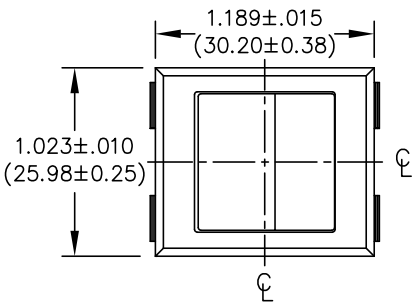
E
D
C
B
A

DIMENSIONS IN INCHES (MILLIMETERS)
DO NOT SCALE DRAWING

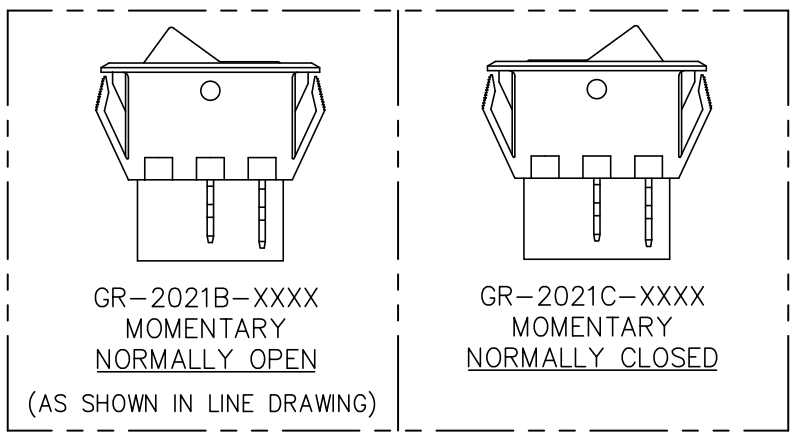
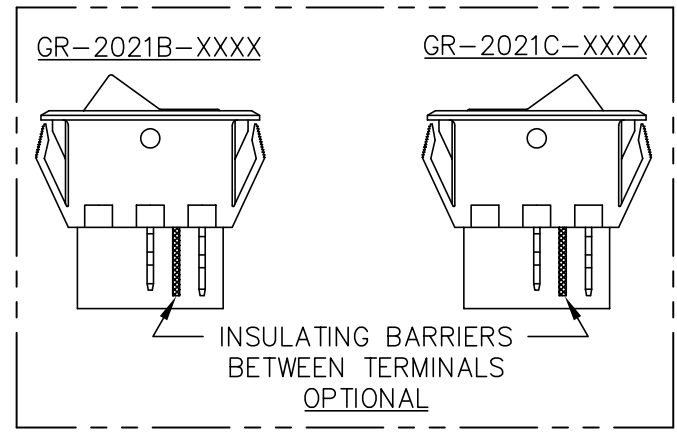
Dwg. No.
GR-2021B-XXXX/2021C-XXXX

PANEL THICKNESS
.025" to .150"
(0.64mm to 3.81mm)

PANEL PIERCING



BOTTOM VIEW



1 2 3 4 5 6 7 8 9 10

B-FORMAT 2002

REVISIONS

PDF FILE MADE	CW INDUSTRIES Southampton, Pa. 18966		Title: PANEL MOUNT ROCKER SWITCH B & C SERIES, W/OPTIONS D.P.- S.T. MOMENTARY
	TOLERANCES UNLESS OTHERWISE SPECIFIED		Division: SWITCH
	2 Place Decimal ±.010 3 Place Decimal ±.005 Angles ±1°	METRIC 1 Place Dec. ±.25mm 2 Place Dec. ±.13mm	
	Made for:	CW IND.	Dwg. No. GR-2021B-XXXX/2021C-XXXX
	Drawn by:	DGW 8-01-2010	
Checked by:			
Approval:			