

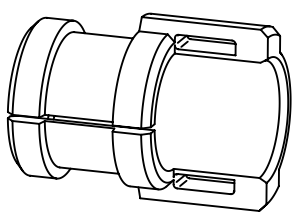
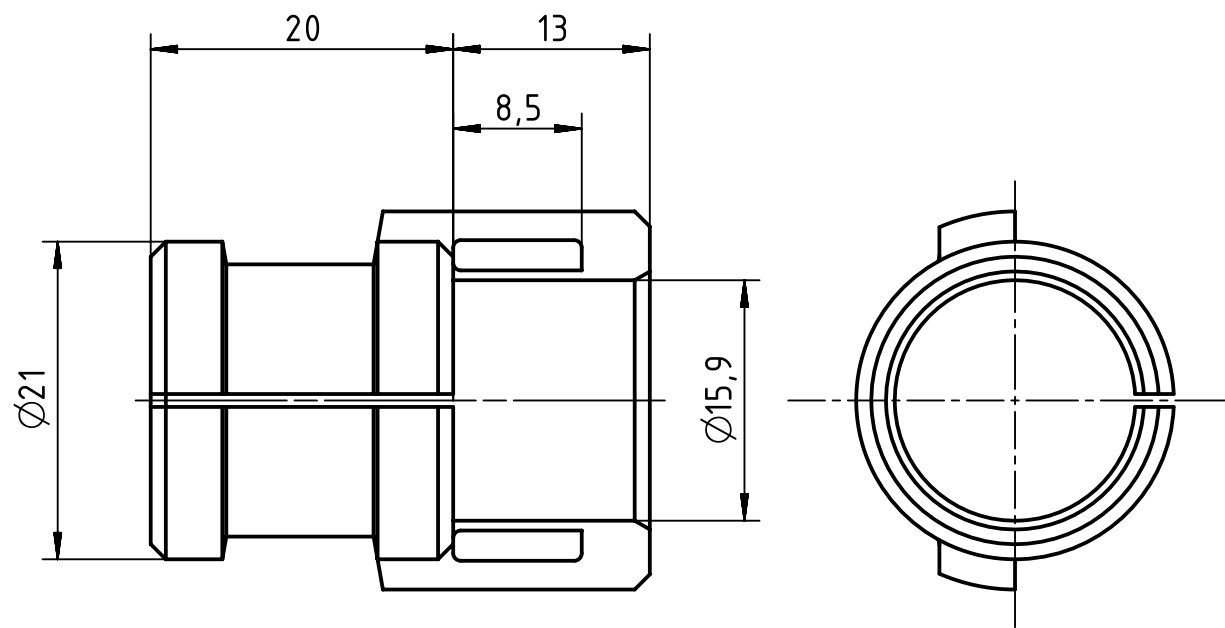
1 2 3 4 5 6

A


B

C

D



suitable cable $\text{Ø} 15-16\text{mm}$

| | | | | | | | | |
|---|---|--|---------------------------|-----------------------------|--------------------|------------------------|--|-------------|
|  | All rights reserved Department EL PD - DE HARTING Electric GmbH & Co. KG D-32339 Espelkamp | All Dimensions in mm Original Size DIN A4 | | Scale 2:1 | Free size tol. | | Ref. | |
| | | Created by DICK | Inspected by SCHNIEDER | Standardisation TIEMANNA | Date 2014-07-03 | State Final Release | | |
| Title Grommet 15-16mm KDT/Z15 for Split Hood | | | | | | | Doc-Key / ECM-Nr. 100085390/UGD/003/A 500000076557 | |
| Type TB | | | | Number 09 00 000 5363 | | | Rev. A | Page 1/1 |