

| LOC | | DIST | | REVISIONS | | | |
|-----|----|------|-----|-------------|-----------|-----|------|
| GP | 00 | P | LTR | DESCRIPTION | DATE | DRN | APVD |
| | | A | | NEW RELEASE | 09JUL2007 | RG | PD |

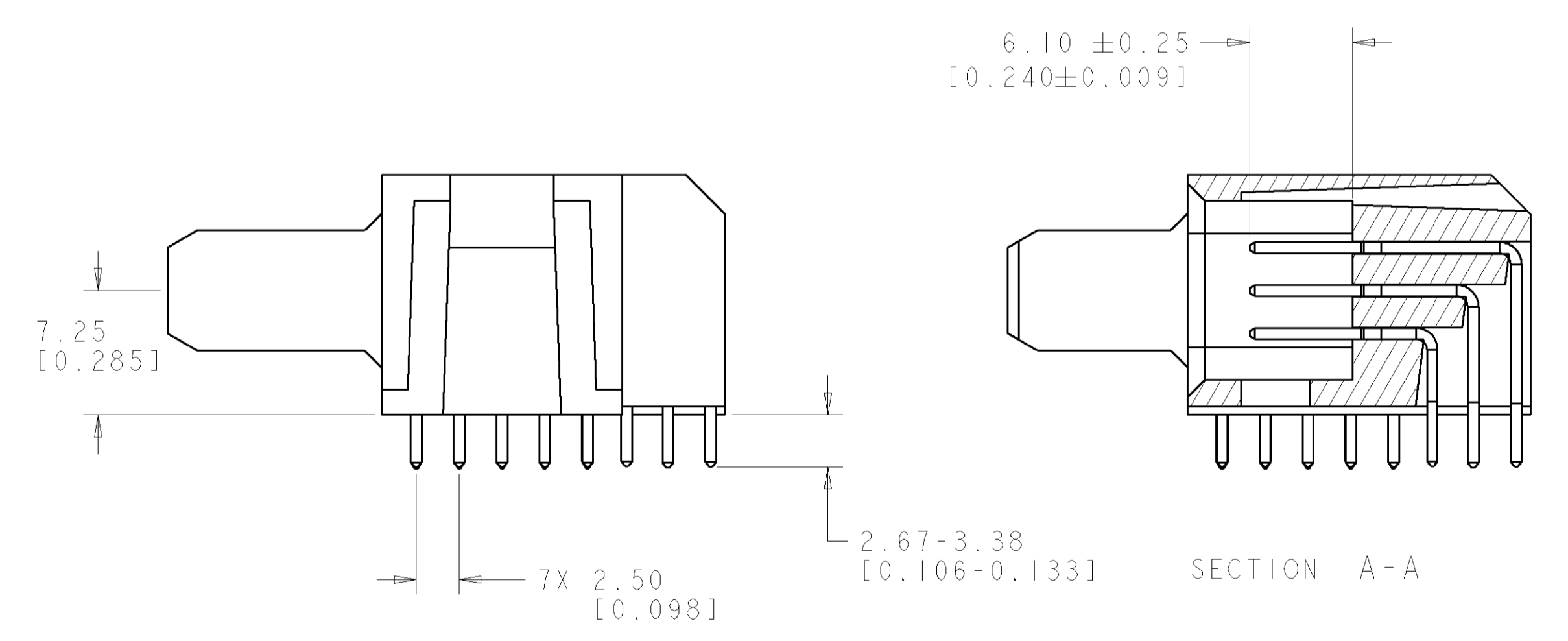
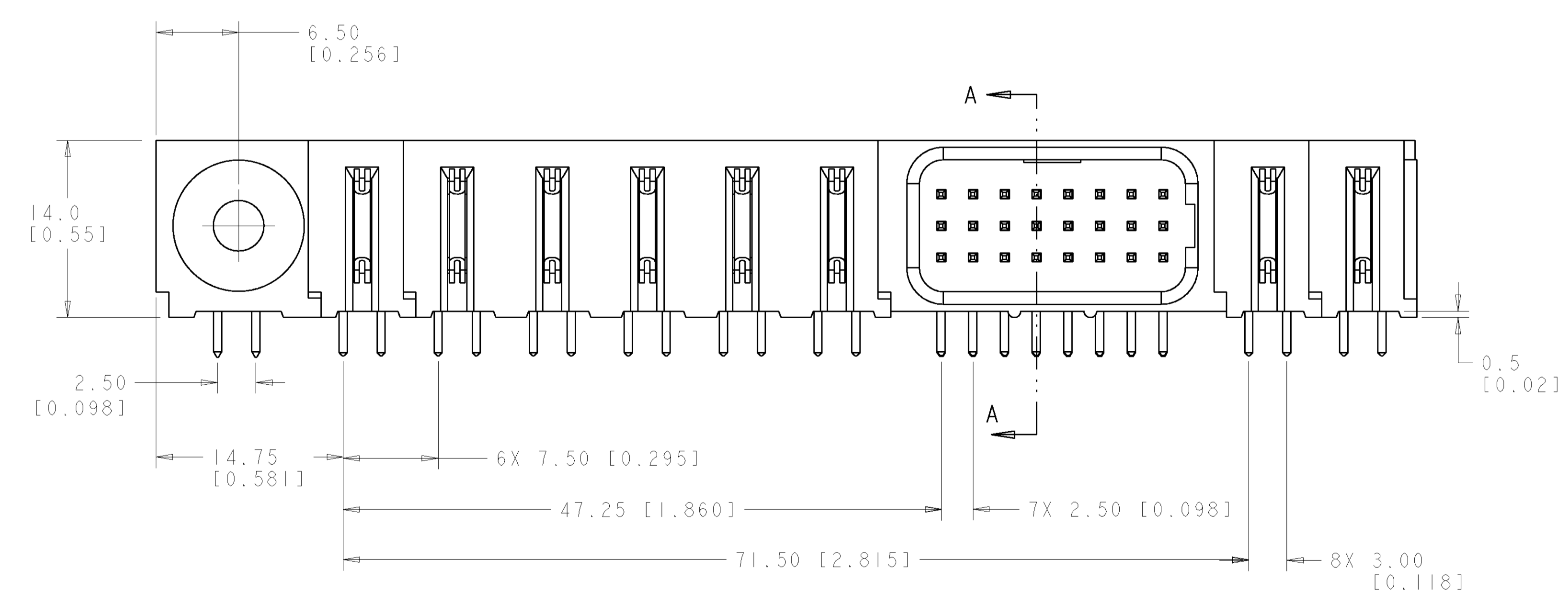
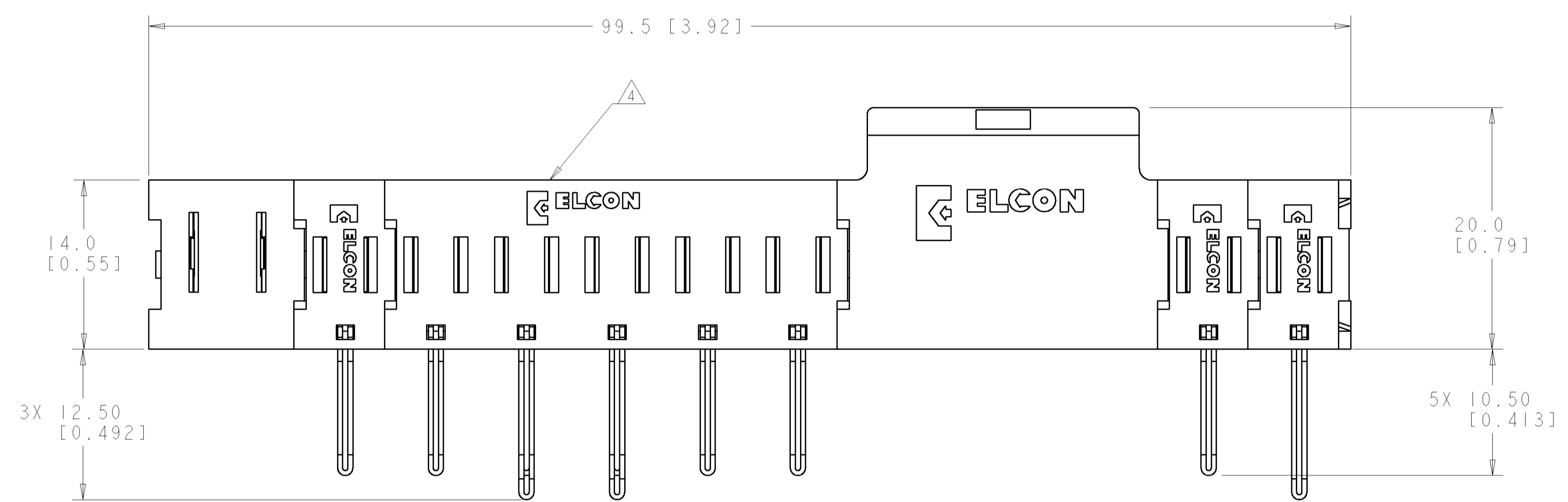
1. PART NUMBER CHANGES AND OR DESIGN CHANGES AFFECTING ITEM INTERCHANGEABILITY REQUIRE PRIOR TYCO ELECTRONICS APPROVAL AND AUTHORIZATION BY REVISION TO THIS DRAWING.

2. MATERIAL:
 INSULATORS - THERMOPLASTIC, GLASS REINFORCED, COLOR: BLACK, UL94V-0 FLAMMABILITY RATED.
 SIGNAL CONTACTS: PHOSPHOR BRONZE ALLOY
 POWER CONTACTS - PHOSPHOR BRONZE ALLOY, COPPER ALLOY
 CROWN BANDS: BERYLLIUM COPPER ALLOY

3. FINISH:
 CONTACTS - GOLD PLATE 0.76µm MIN. THK., OVER NICKEL 1.27µm MIN. THK.
 SOLDER TAILS, TIN 3.05µm MIN. THK. OVER NICKEL 1.27µm MIN. THK.

△ ITEMS PROVIDED TO THIS SPECIFICATION TO BE PERMANENTLY IDENTIFIED PER THE FOLLOWING IDENTIFIER LABEL

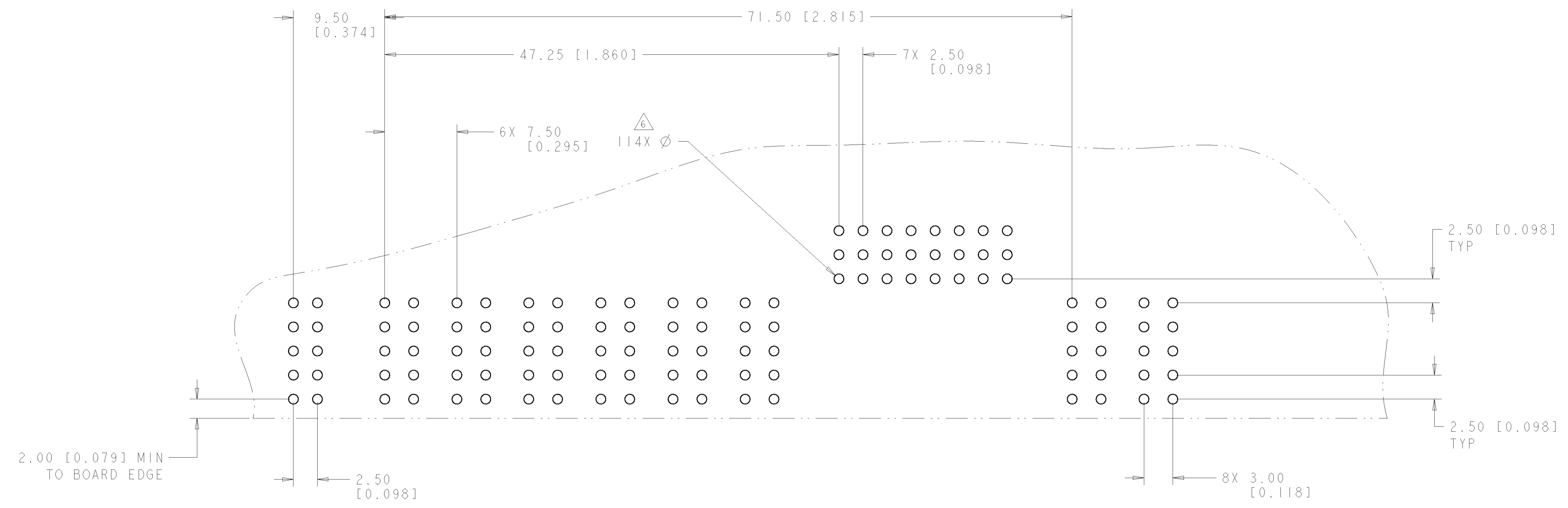
TYCO ELECTRONICS P/N DATE CODE YEAR WEEK
 XXXXXXXX-X XXXX (e.g. 0T06)



ELCON FLATPAQ

| | | | | | | | |
|-------------------------|---------|--|---------|------------------------------|-------------------------------|---|----------------|
| DIMENSIONS: mm [INCHES] | | TOLERANCES UNLESS OTHERWISE SPECIFIED: | | DWN: R. GRZYBOWSKI 09JULY07 | | Tyco Electronics Harrisburg, PA 17105-3608 | |
| 0 PLC | ± | 0 PLC | ± | CHK: P. DAMATO 09JULY07 | NAME: PIN CONNECTOR ASSEMBLY | | |
| 1 PLC | ± 0.020 | 1 PLC | ± 0.020 | APVD: S. FLICKINGER 09JULY07 | RIGHT ANGLE | | |
| 2 PLC | ± 0.025 | 2 PLC | ± 0.025 | PRODUCT SPEC | SOLDER TAILS | | |
| 3 PLC | ± | 3 PLC | ± | APPLICATION SPEC | SIZE: A | CAGE CODE: 1766719 | RESTRICTED TO: |
| 4 PLC | ± | 4 PLC | ± | WEIGHT | SCALE: 3:1 SHEET 1 OF 3 REV A | | |
| ANGLES | ± 5 | FINISH | | CUSTOMER DRAWING | | | |

| LOC | DIST | REVISIONS | | | |
|-----|------|-------------|------|-----|------|
| P | LTR | DESCRIPTION | DATE | DNW | APVD |
| - | - | SEE SHEET 1 | - | - | - |
| | | | | | |
| | | | | | |

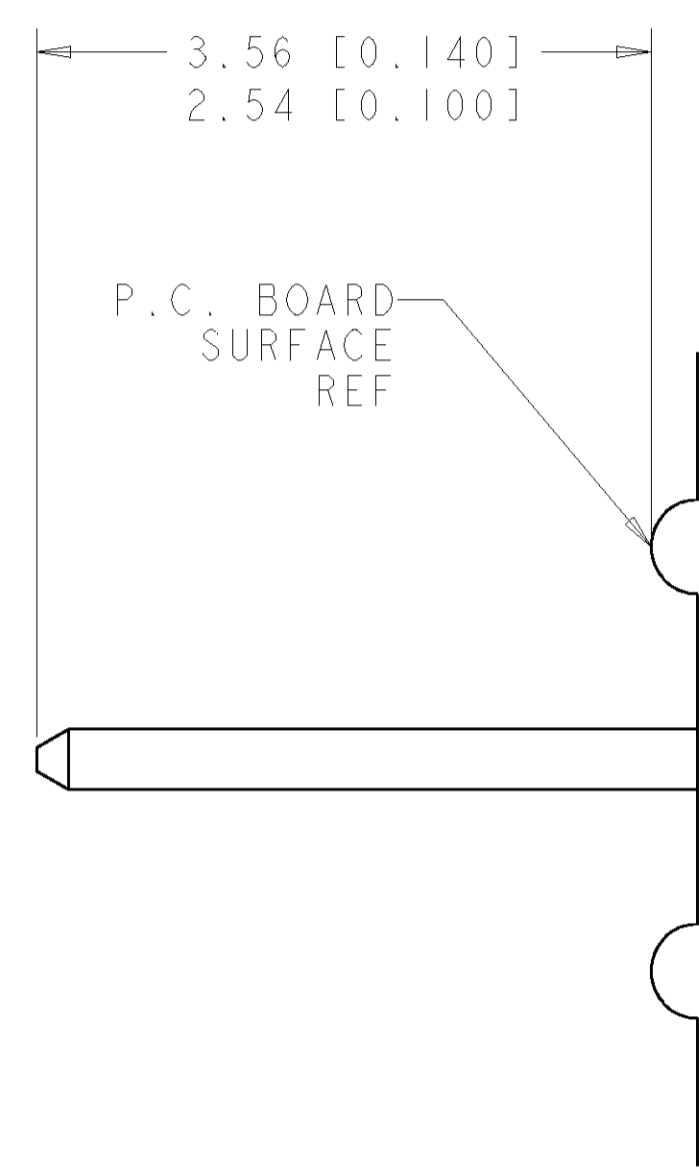


PRINTED CIRCUIT LAYOUT
 COMPONENT SIDE

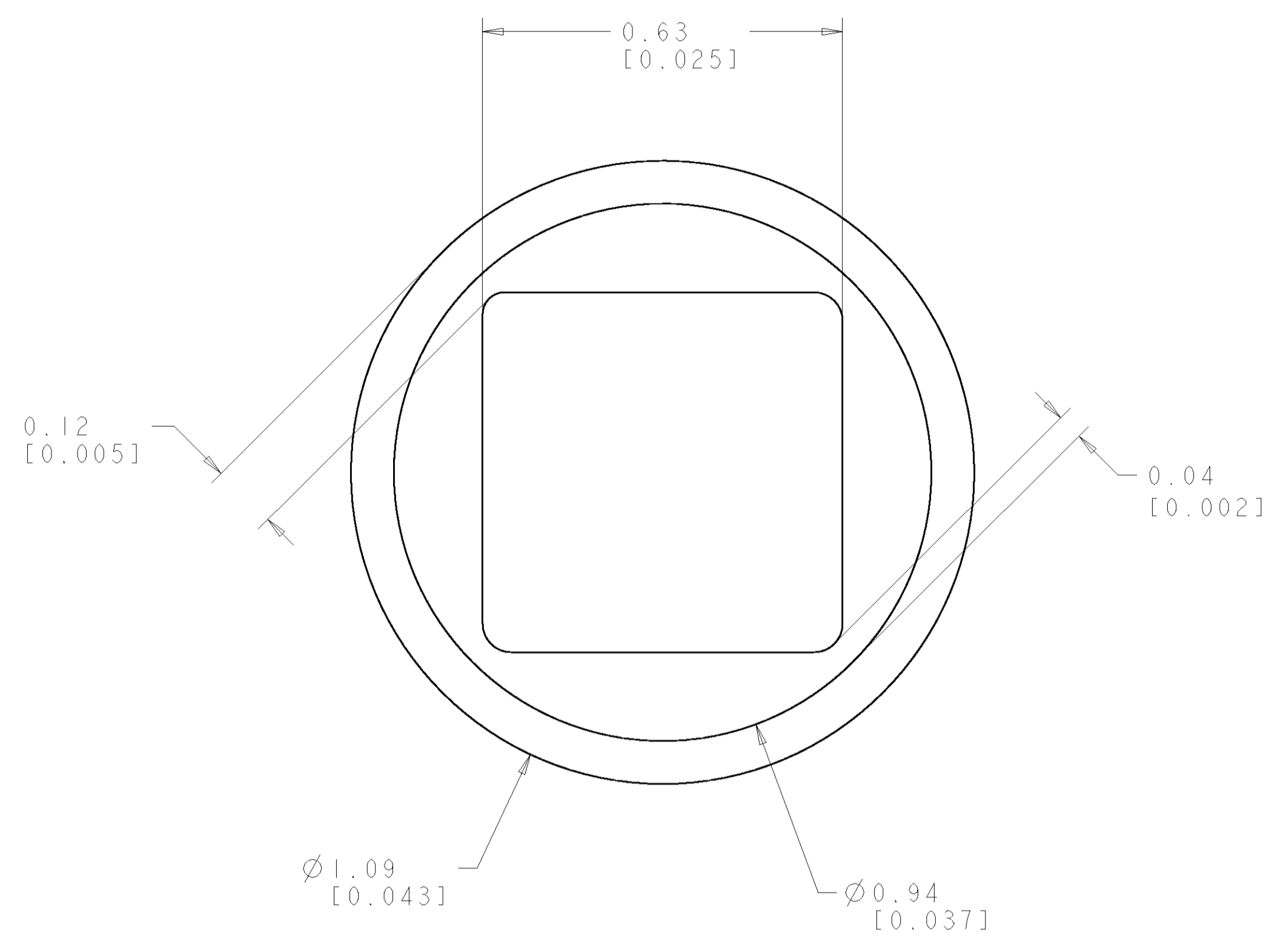
| CONNECTOR | CATALOG MODULE # | QTY | SIZE NO. | CONTACT QTY | MATING PIN | MAX. CURRENT (PER CONTACT) | CONTACT SPACING | VOLTAGE RATING |
|-----------|------------------|-----|--------------------------|-------------|----------------------------|----------------------------|-----------------|----------------|
| PIN | FP302 | 1 | 22 | 24 | .64 [0.025] SQ. | 3 amps | 2.50 [0.0984] | 125 |
| | FP152 | 3 | 8 | 3 | 1.25 X 7.00 [0.049 X .276] | 35 amps | 7.50 [0.2953] | 250 |
| | FP151 | 5 | 8 | 5 | 1.25 X 7.00 [0.049 X .276] | 35 amps | 7.50 [0.2953] | 250 |
| | FP516 | 1 | RIGHT ANGLE GUIDE SOCKET | | | | | |

| | | | |
|--|---|---|---|
| <small>THIS DRAWING IS UNPUBLISHED. RELEASED FOR PUBLICATION BY TYCO ELECTRONICS CORPORATION. ALL RIGHTS RESERVED.</small> | | DWN: R. GRZYBOWSKI 09JULY07 CHK: P. DAMATO 09JULY07 APVD: S. FLICKINGER 09JULY07 | Tyco Electronics Harrisburg, PA 17105-3608 |
| DIMENSIONS: mm [INCHES] TOLERANCES UNLESS OTHERWISE SPECIFIED: 0 PLC ±. 1 PLC ±.5 [0.020] 2 PLC ±.25 [0.010] 3 PLC ±. 4 PLC ±. ANGLES ±.5 | PRODUCT SPEC: - APPLICATION SPEC: - WEIGHT: - MATERIAL: - FINISH: - | NAME: PIN CONNECTOR ASSEMBLY RIGHT ANGLE SOLDER TAILS SIZE: A 00779 C=1766719 SCALE: 3:1 SHEET 2 OF 3 REV A | RESTRICTED TO: - CUSTOMER DRAWING |

| LOC | DIST | REVISIONS | | | |
|-----|------|-------------|------|-----|------|
| P | LTR | DESCRIPTION | DATE | DRN | APVD |
| - | - | SEE SHEET 1 | - | - | - |
| | | | | | |
| | | | | | |



5. SOLDER PIN DETAIL
SCALE 10 : 1



6. SOLDER TERMINATION AREA
 SCALE 40:1
 RECOMMENDED PRINTED CIRCUIT HOLE
 FINISHED HOLE: Ø1.02 [0.040] ±.08 [0.003]
 DRILLED HOLE: Ø1.15 [0.0453] ±.013 [0.0005]
 COPPER PLATE: .025 [0.0010] MIN (PER SURFACE)
 TIN PLATE: .008 [0.0003] MIN. (PER SURFACE)

ELCON FLATPAQ

| | | | |
|--|---|---|--|
| <small>THIS DRAWING IS UNPUBLISHED. RELEASED FOR PUBLICATION. ALL RIGHTS RESERVED. © 2000 BY TYCO ELECTRONICS CORPORATION.</small> | | DWN: B. GRZYBOWSKI 09JULY07 CHK: P. DAMATO 09JULY07 APVD: S. FLICKINGER 09JULY07 | Tyco Electronics Harrisburg, PA 17105-3608 |
| DIMENSIONS: mm [INCHES] | TOLERANCES UNLESS OTHERWISE SPECIFIED: 0 PLC ±. 1 PLC ±.5 [0.020] 2 PLC ±.25 [0.010] 3 PLC ±. 4 PLC ±. ANGLES ±.5 | NAME: PIN CONNECTOR ASSEMBLY RIGHT ANGLE SOLDER TAILS PRODUCT SPEC APPLICATION SPEC | SIZE: A 00779 C=1766719 SCALE: 3:1 SHEET 3 OF 3 REV A |
| MATERIAL: - | FINISH: - | WEIGHT: - | CUSTOMER DRAWING |