

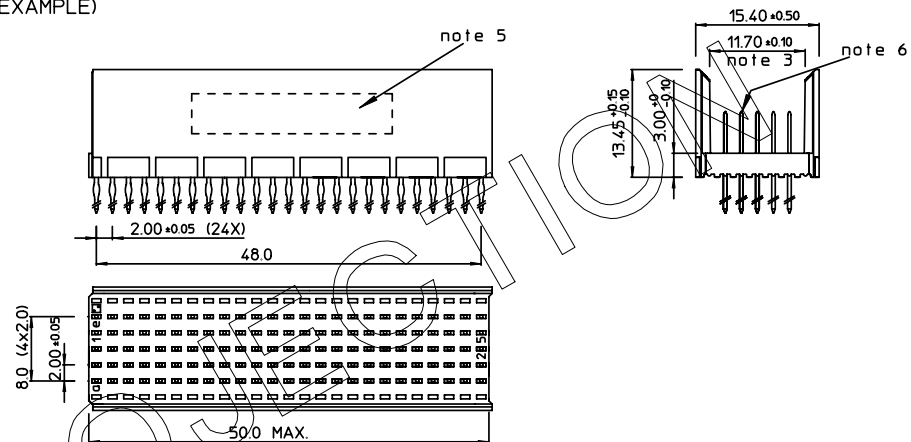
GEN. ST.	01	02	03	04	05	06	07	08	0D	50	60	70	80	90																	
INT. ST.	10	11	12	13	14	18	20	31	32	33	34	38	39	40	42	43	44	45	46	48	56	70	72	73	75	76	81	82	83	84	88

REV.	DATE	DESCRIPTION	BY	C'K'D'
A	2001-09-14	CONVERSION REVISION 02	KN	
B	2002-05-28	EC B20086	MF	
C	2005-10-21	105-0201	YIVEK	BKP
D	2006-08-01	106-0118	ALEX B	BKP

LOADING PATTERN MATING SIDE

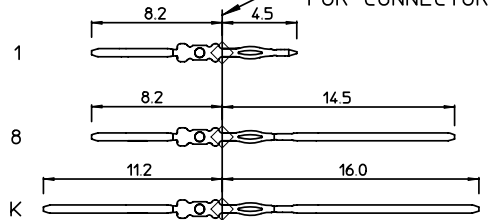
f	0	0	0	0	0	0	0	0	0	0	0	0	0	0	0	0	0	0	0	0	0	0	0	0	0	0	0	0	0	0	0	0	0	0	0	0	
e	8	8	1	1	8	8	1	1	8	8	1	1	8	8	1	1	8	8	1	1	8	8	1	1	8	8	1	1	8	8	1	1	8	8	1	1	8
d	1	1	8	8	1	1	8	8	1	1	8	8	1	1	8	8	1	1	8	8	1	1	8	8	1	1	8	8	1	1	8	8	1	1	8	8	1
c	K	K	1	1	K	K	1	1	K	K	1	1	K	K	1	1	K	K	1	1	K	K	1	1	K	K	1	1	K	K	1	1	K	K	1		
b	1	1	8	8	1	1	8	8	1	1	8	8	1	1	8	8	1	1	8	8	1	1	8	8	1	1	8	8	1	1	8	8	1	1	8	8	1
a	8	8	1	1	8	8	1	1	8	8	1	1	8	8	1	1	8	8	1	1	8	8	1	1	8	8	1	1	8	8	1	1	8	8	1	1	8
z	0	0	0	0	0	0	0	0	0	0	0	0	0	0	0	0	0	0	0	0	0	0	0	0	0	0	0	0	0	0	0	0	0	0	0	0	
P	0	1																																			
SO	1																																				

LOADED CONNECTOR ASSEMBLY (FOR EXAMPLE)

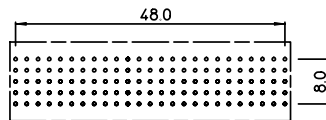


SHEET NR. : 922

CONTACT OVERVIEW



LAY-OUT P.C.B.-HOLE



LEAD FREE INDICATOR : LF = LEAD FREE (DIGIT 15 & 16)

HM2P08PNH280

PLATING CODE (DIGIT 13 AND 14) (REF DWG No. BS,C ,201844,003)

NOTES:

1. THIS PRODUCT IS CSA APPROVED.
2. THIS PRODUCT IS UL RECOGNIZED.
3. MEASURED AT THE BOTTOM.
4. MATERIAL CONTACT: PHOSPHORBRONZE
HOUSING: CREAM WHITE GLASS FILLED POLYESTER UL-94V0
5. CONNECTOR PRINTED WITH P/N AND DATE CODE.
6. FOR ACTUAL CONTACT LOADINGS, SEE LOADING PATTERN MATING SIDE.
7. SHAPE OF CONNECTOR HOUSING CAN ALTER DEPENDING ON PRODUCTION LOCATION.
8. THE PRODUCT (LF) MEETS EUROPEAN UNION DIRECTIVES AND OTHER COUNTRY REGULATIONS AS DESCRIBED IN GS-22-008
9. FOR RECOMMENDED PTH DIMENSIONS REFER DRAWING : BS.A ,201572,001

EUROPEAN PRO

1DEC ±0,2 2DEC ±0,1 ANGLES ±1°	APPR. DRAFT CHECKED	DATE 1999-10-18	SIGN. M.Fret	LOADING PATTERN OVERVIEW
WE RESERVE THE RIGHT TO CHANGE DIMENSIONS OR REQUIREMENTS WITHOUT PRIOR NOTICE.	PR.D.MGR. PR.ENG.MGR. PR.MGT.MGR.			CAT. No. HM2P08PNH280----
ALL DIMENSIONS IN MM				FCJ www.fciconnect.com
				SCALE

BS,C ,201843,841 D