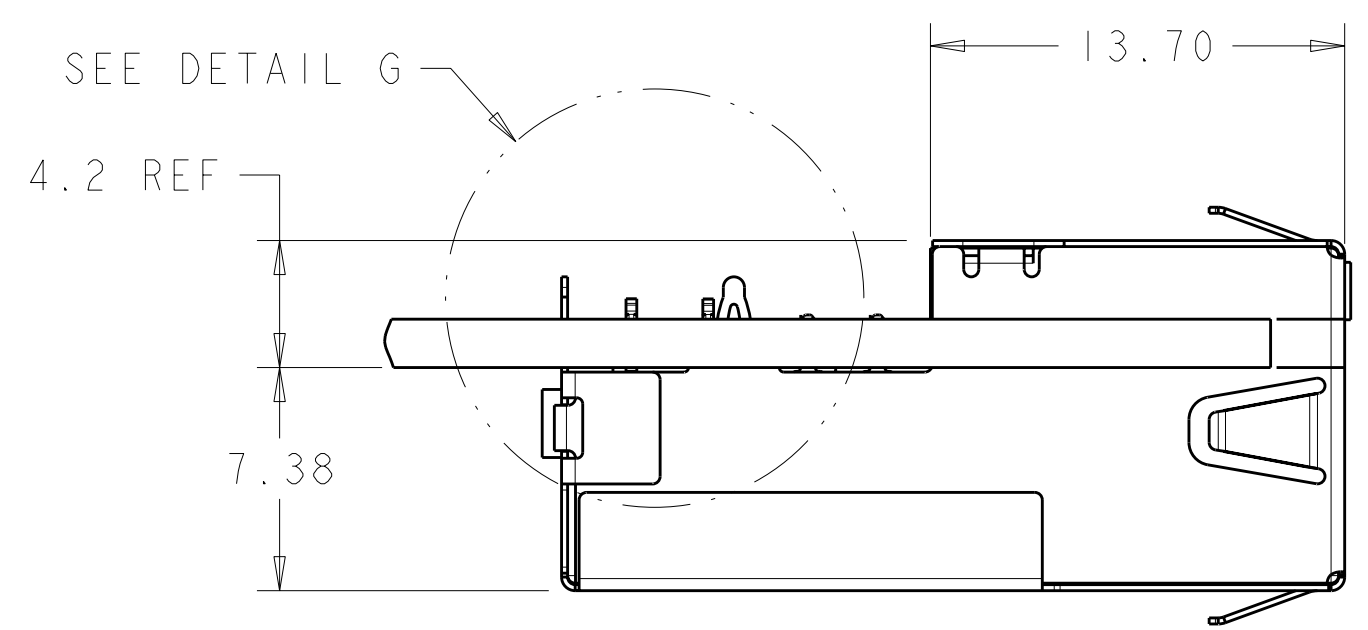
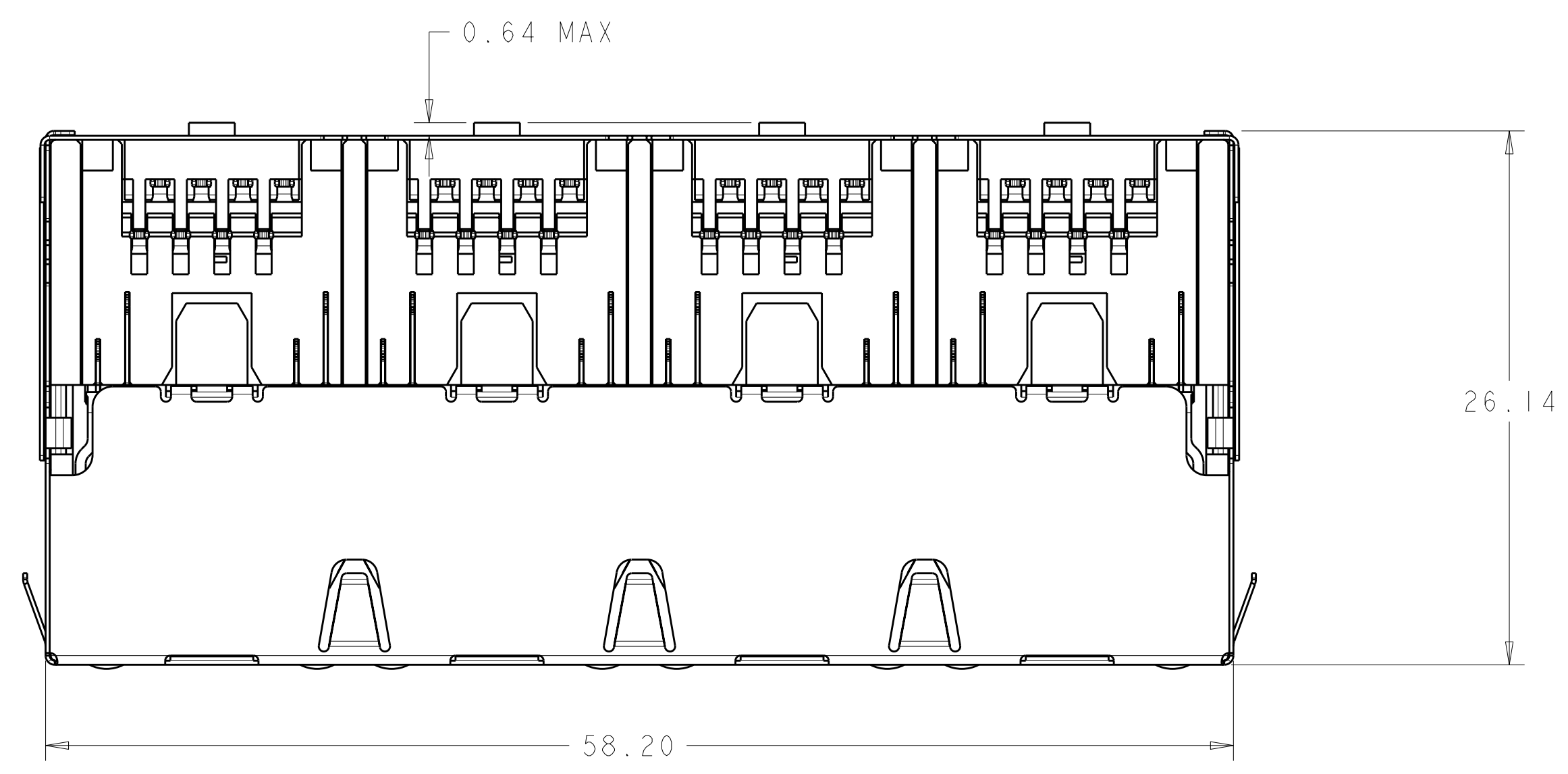
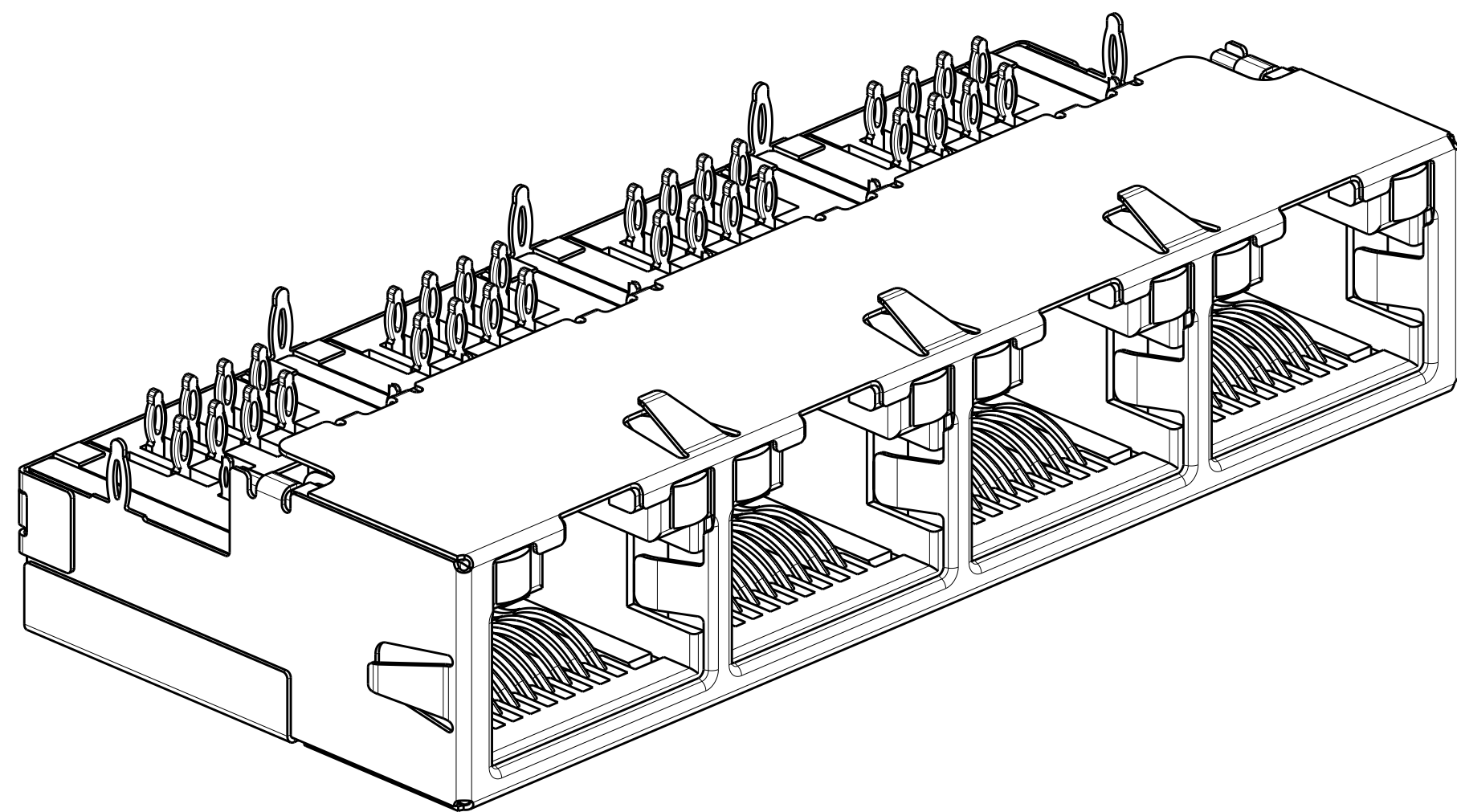
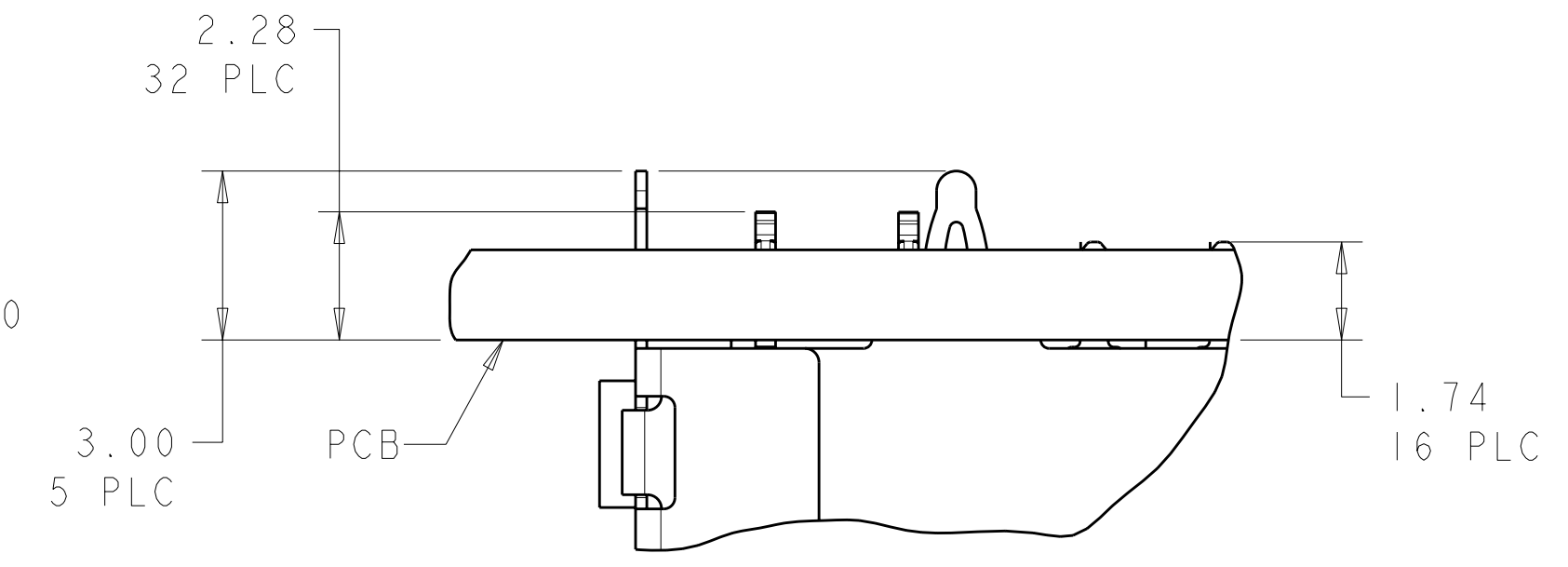
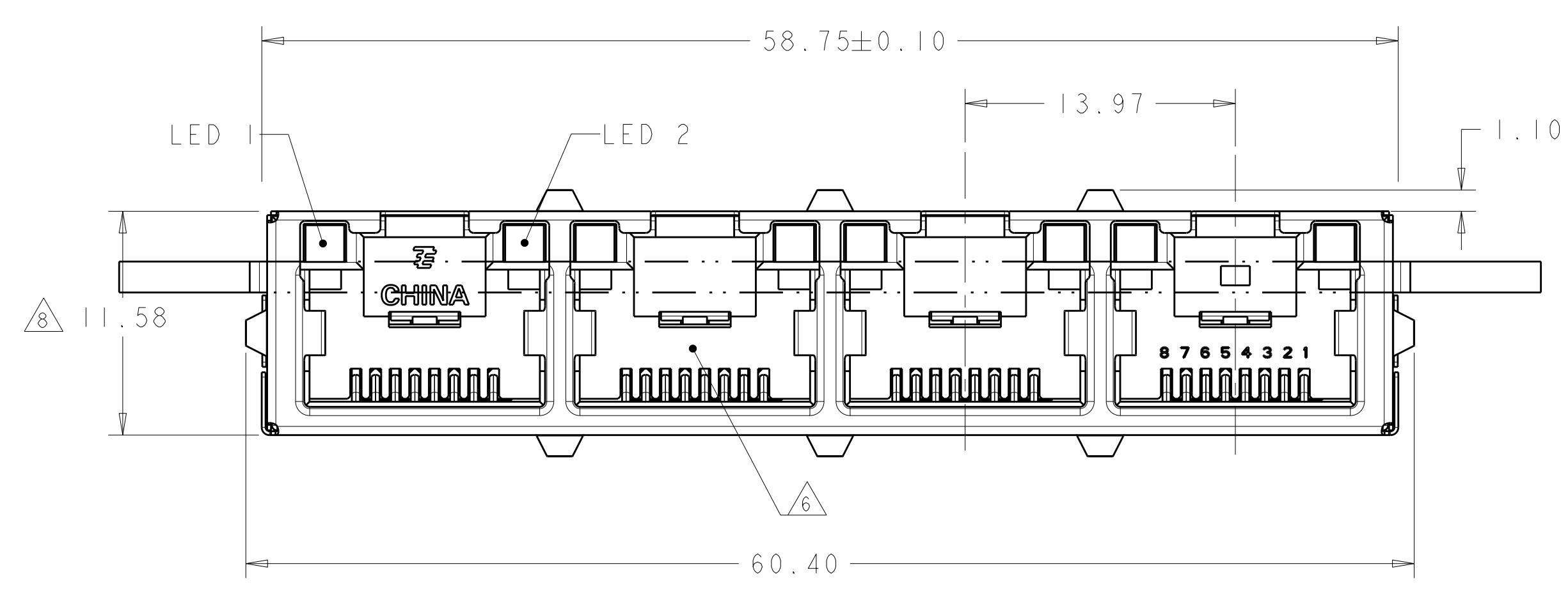


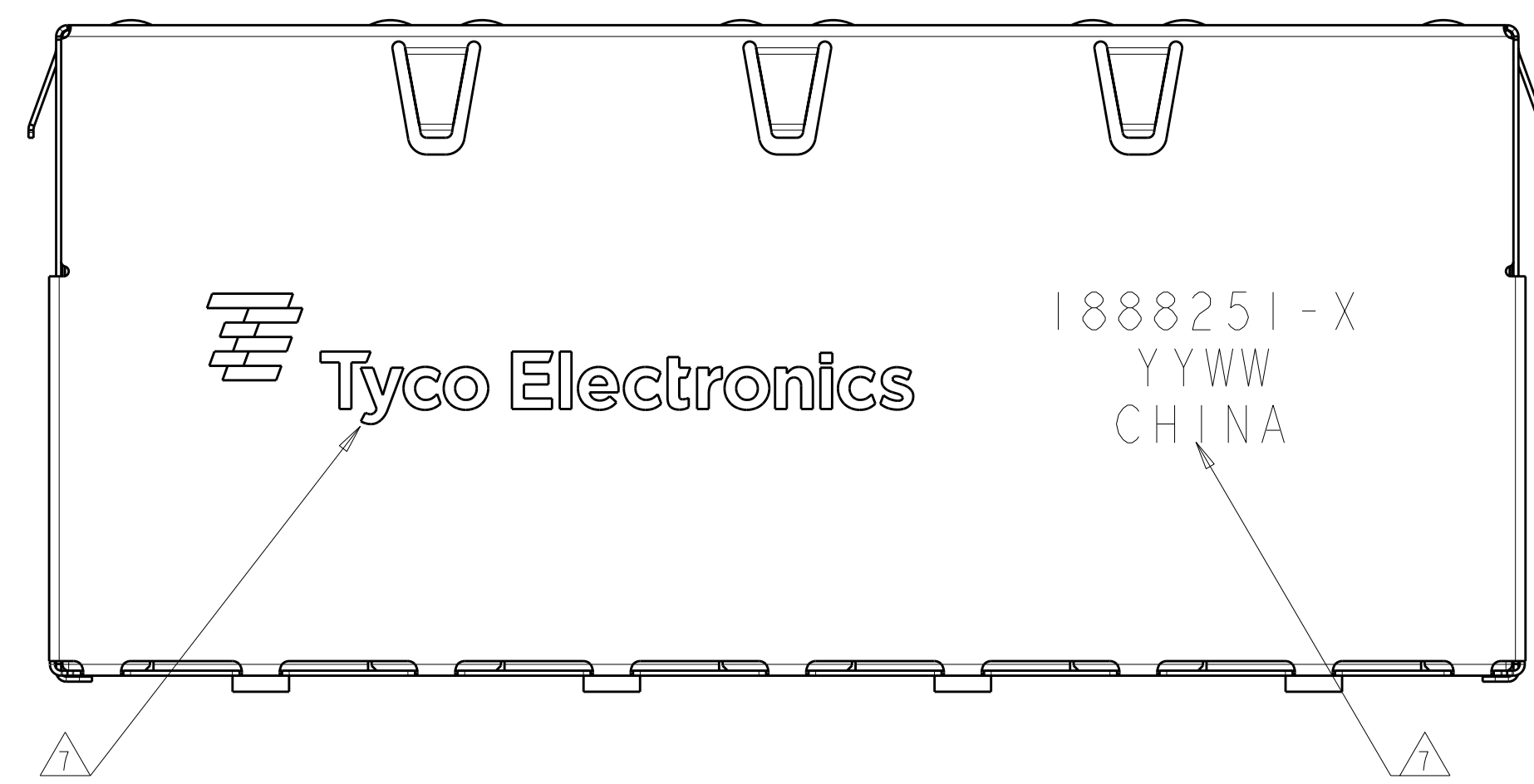
LOC	DIST	REVISIONS				
AA	00	P. LTR	DESCRIPTION	DATE	DWN	APVD
		B6	REVISED PER ECO-11-005033	18MAR2011	RK	HMR



VIEW SHOWN ASSEMBLED TO PCB ONLY

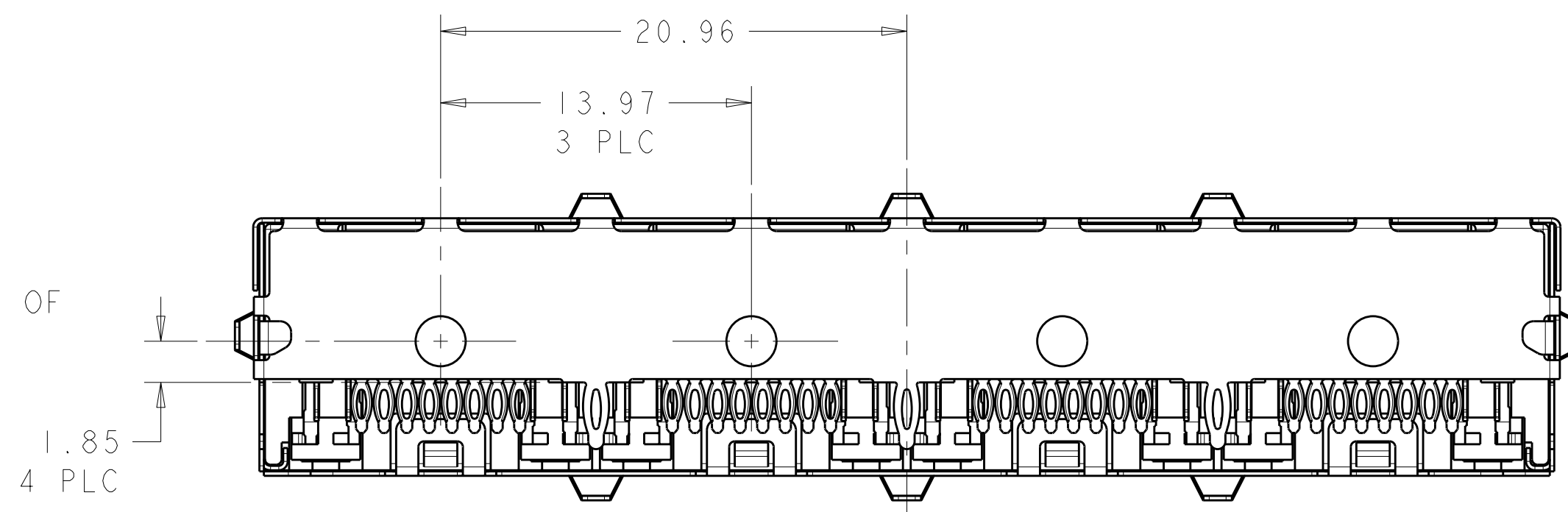


DETAIL G SCALE 8:1



- MATERIALS:  
 HOUSING: BLACK PBT, 94V-0.  
 OVERMOLDED INSERT: BLACK LCP, 94V-0.  
 SHIELD: COPPER ALLOY WITH 0.76µm MIN NICKEL PLATE  
 CONTACTS: PHOSPHOR BRONZE WITH 1.27µm MIN GOLD AT MATING INTERFACE OVER 1.27µm MIN NICKEL UNDERPLATE.
- PERFORMANCE:  
 INSERTION LOSS: 0.4dB @ 100 MHz.  
 RETURN LOSS: 12.0dB @ 100 MHz.  
 CROSSTALK ATTENUATION: -43dB MINIMUM @ 100MHz
- LED'S COMPLIANT WITH IEC60825-1 SAFETY OF LASER PRODUCTS WHEN OPERATED AT CURRENT OF 20mA.
- ALL DIMENSIONS NOMINAL.
- RECOMMENDED MOTHERBOARD PCB THICKNESS: 1.60±0.16.

- Ⓜ RJ45 PORT CONFORMS TO FCC RULES AND REGULATIONS PART 68 SUB-PART F.
- Ⓜ TE LOGO, TE CONNECTIVITY PART NUMBER, DATE CODE AND COUNTRY OF ORIGIN TO BE MARKED IN APPROXIMATE LOCATION SHOWN.
- Ⓜ THIS DIMENSION MEETS THE ADVANCED MEZZANINE CARD (AMC) SPECIFICATION.



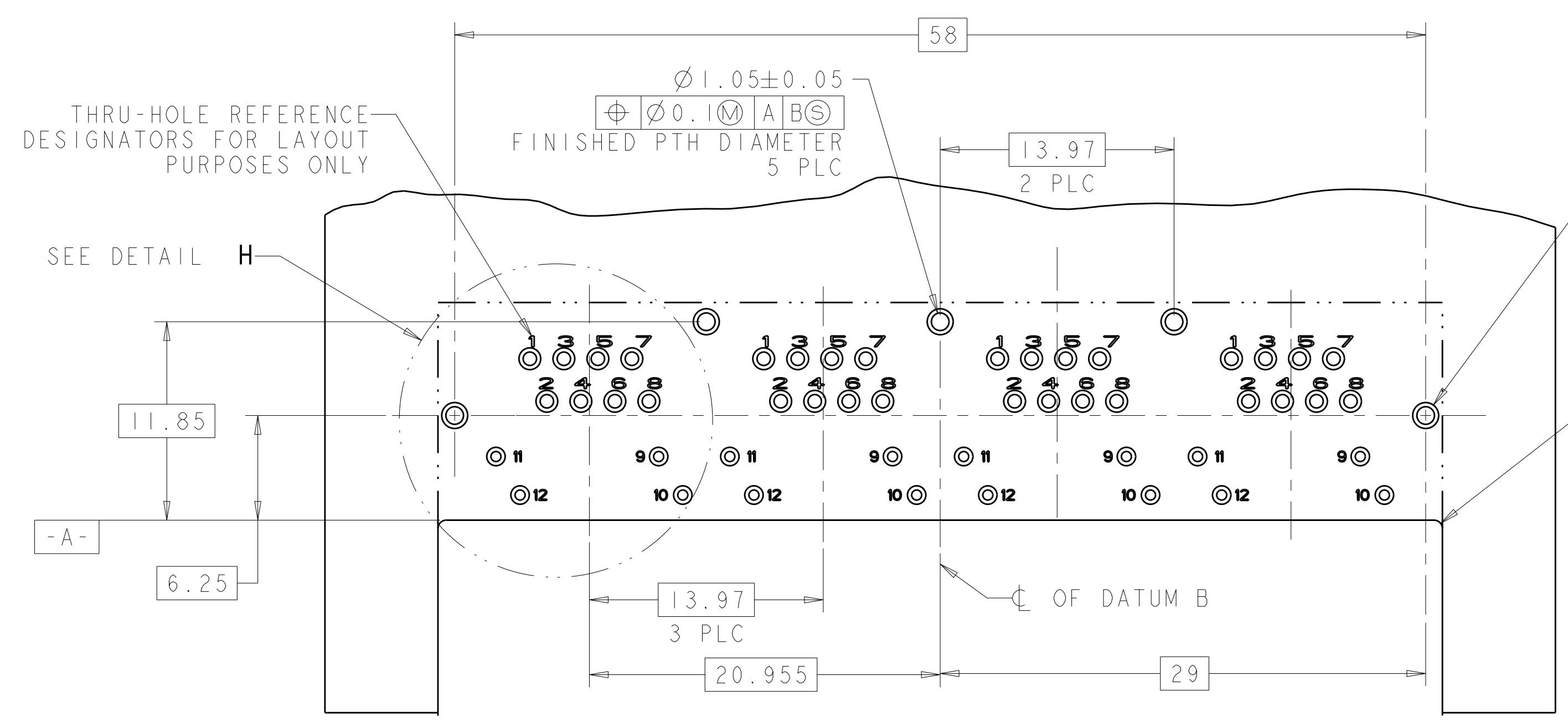
LED #1	LED #2	PART NUMBER
GREEN	GREEN	1888251-4
-	-	1888251-3
GRN/YEL	GRN/YEL	1888251-2
GREEN	YELLOW	1888251-1

THIS DRAWING IS A CONTROLLED DOCUMENT.

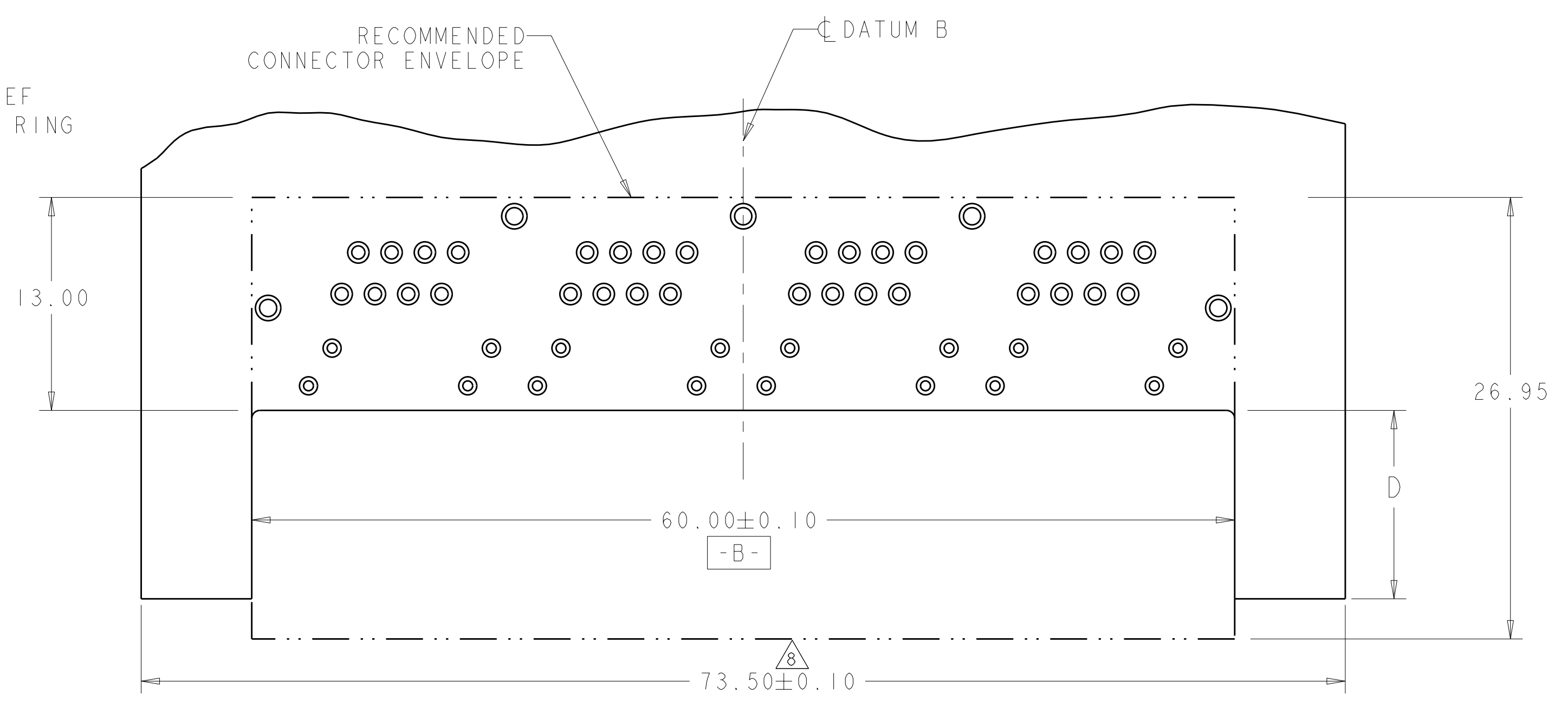
DIMENSIONS:	TOLERANCES UNLESS OTHERWISE SPECIFIED:	DWN	M.E.S./L.A. MAY '08
mm	9 PLC ±	CHK	J. WESTMAN
	1 PLC ±0.13	APVD	S. FLICKINGER
	5 PLC ±	PRODUCT SPEC	15FEB2008
	4 PLC ±	APPLICATION SPEC	114-13179
	ANGLES ±°	WEIGHT	-
MATERIAL	FINISH	SIZE	CAGE CODE
SEE NOTE 1	SEE NOTE 1	A100779	C=1888251
CUSTOMER DRAWING		SCALE	1:1
		SHEET	1 OF 3
		REV	B6

STE TE Connectivity  
 NAME: CONNECTOR ASSEMBLY, LOW PROFILE, PRESS FIT, MODULAR JACK, 1X4, RJ45

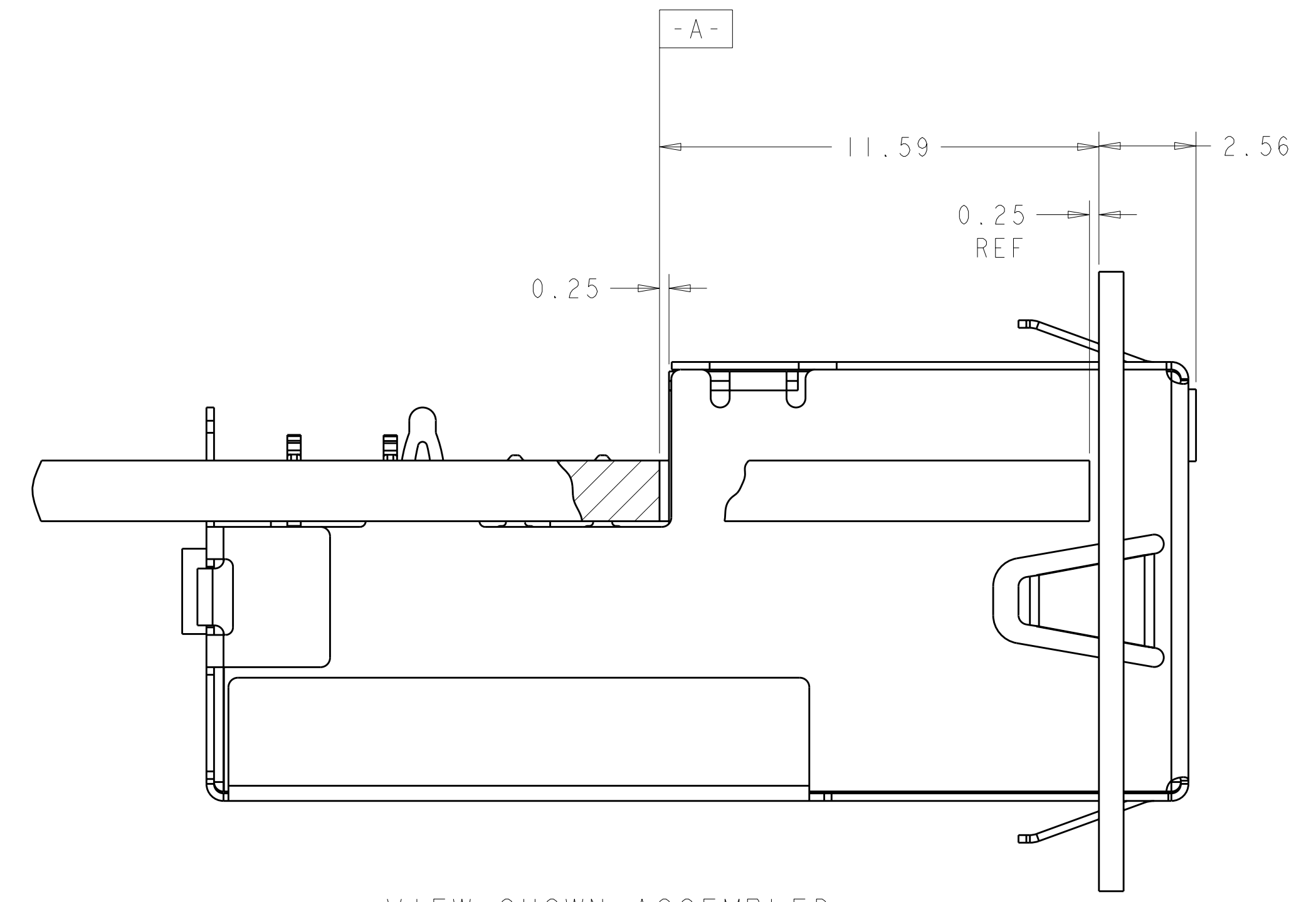
LOC	DIST	REV	DATE	APPD	REVISED
AA	00				
					SEE SHEET 1



PCB SIDE 2

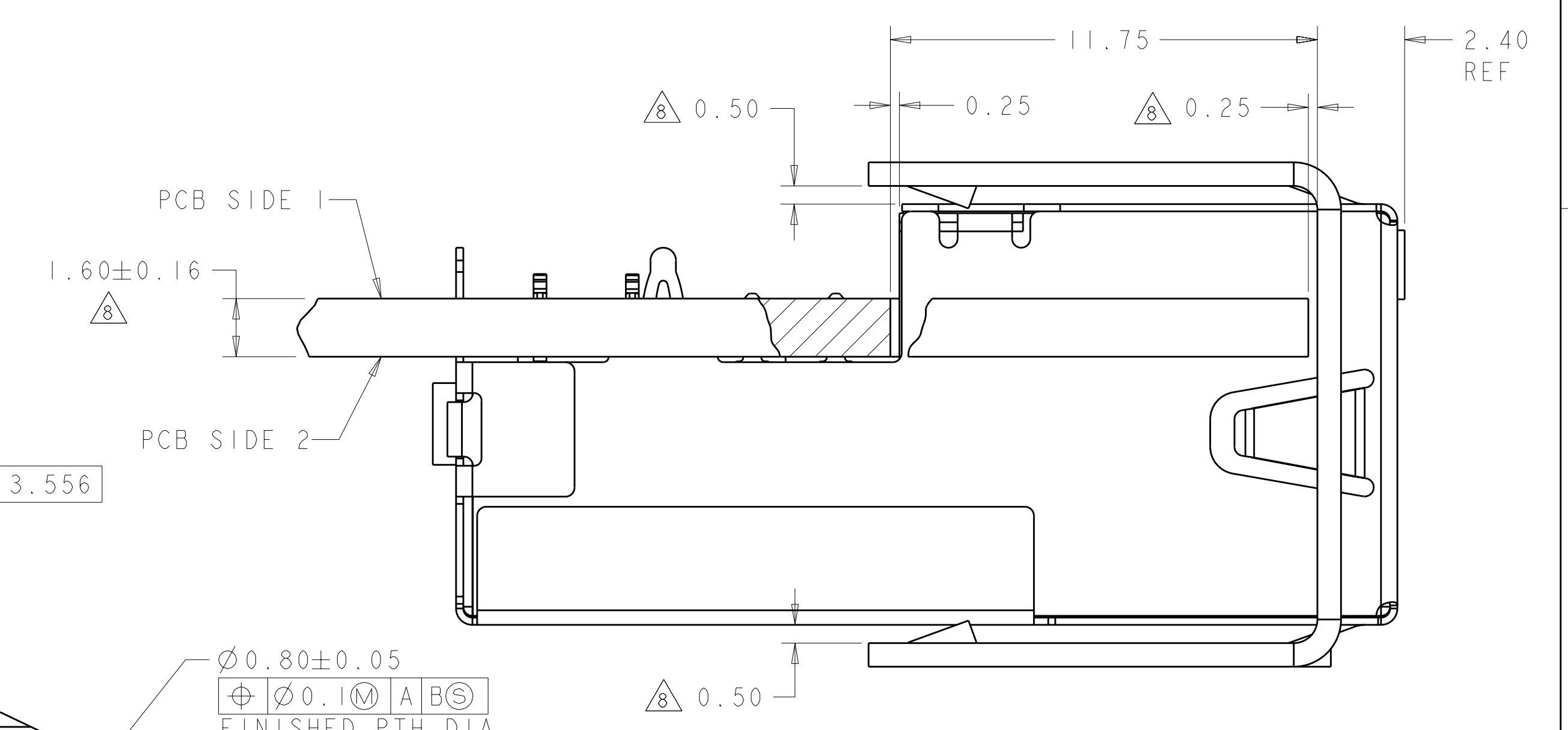


PCB SIDE 1

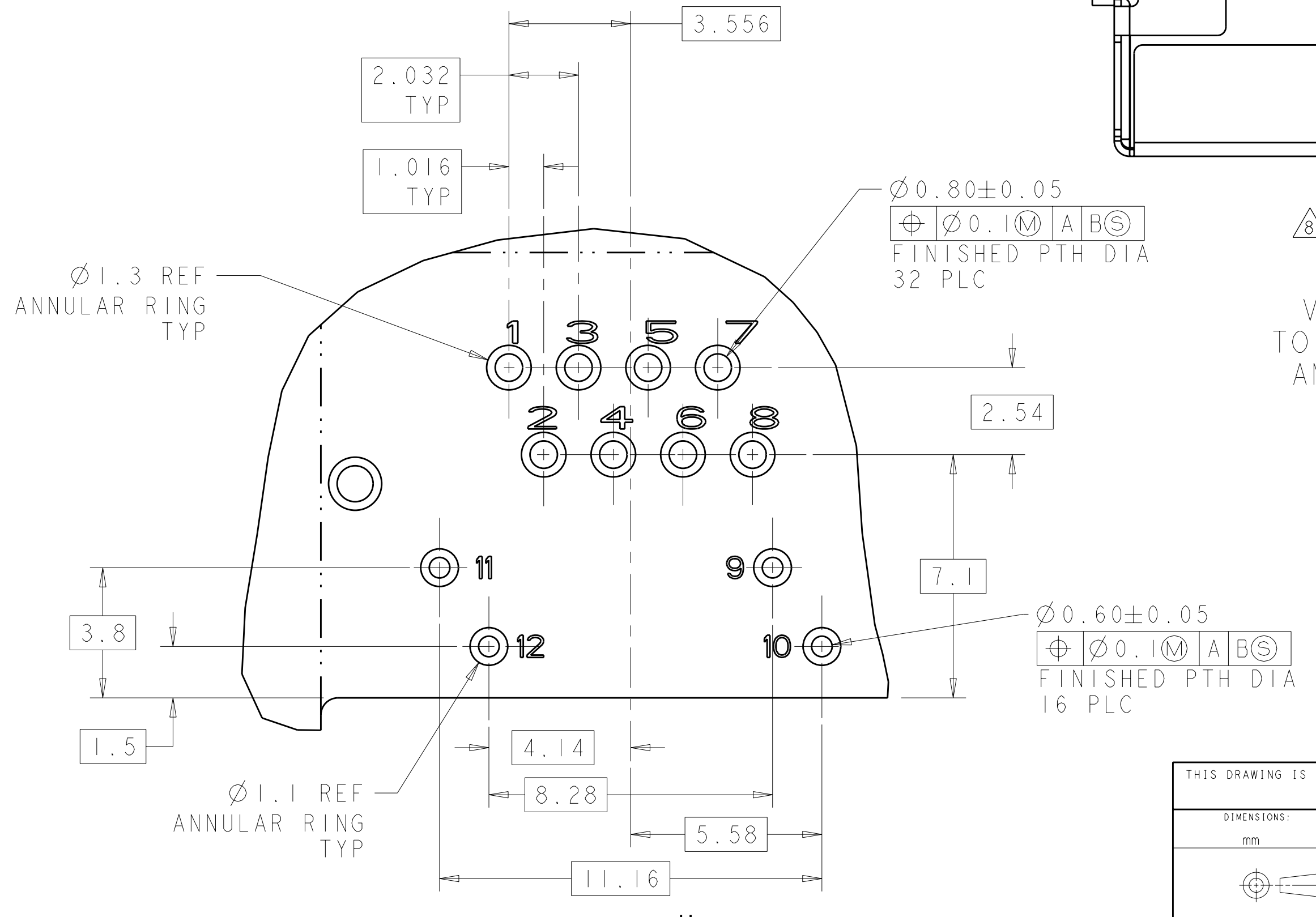


VIEW SHOWN ASSEMBLED TO PCB AND RECOMMENDED STANDARD FACE PLATE SCALE 8:1

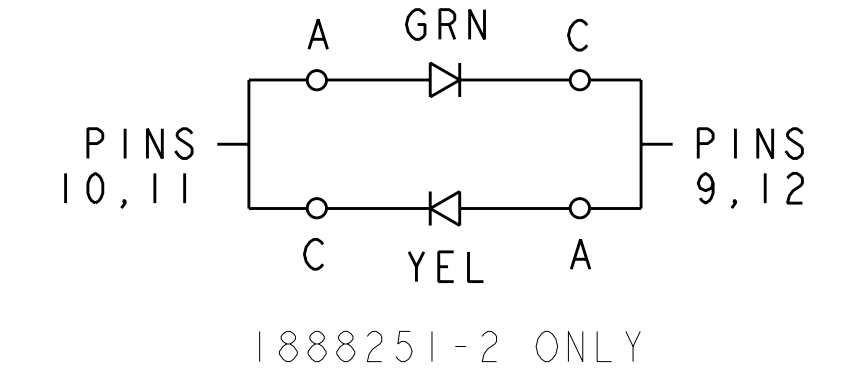
STANDARD FACE PLATE	11.34
AMC MODULE FACE PLATE	11.50
PCB CUTOUT	D



VIEW SHOWN ASSEMBLED TO PCB AND RECOMMENDED AMC MODULE FACE PLATE SCALE 8:1



DETAIL H SCALE 8:1



	PIN #	1888251-1	1888251-2	1888251-3	1888251-4
LED 1	9	CATHODE (-)	ANODE (YEL), CATHODE (GRN)	-	CATHODE (-)
	10	ANODE (+)	ANODE (GRN), CATHODE (YEL)	-	ANODE (+)
LED 2	11	ANODE (+)	ANODE (GRN), CATHODE (YEL)	-	ANODE (+)
	12	CATHODE (-)	ANODE (YEL), CATHODE (GRN)	-	CATHODE (-)

THIS DRAWING IS A CONTROLLED DOCUMENT.

DATE: 15FEB2008

APPD: J. WESTMAN

CHK: M.E.S./L.A. MAYOR

DESIGNED BY: S. FLICKINGER

PRODUCT SPEC: 114-13179

APPLICATION SPEC: 114-13179

WEIGHT: -

MATERIAL: SEE NOTE 1

FINISH: SEE NOTE 1

CUSTOMER DRAWING

SCALE: 4:1

SHEET: 2 OF 3

REV: B6

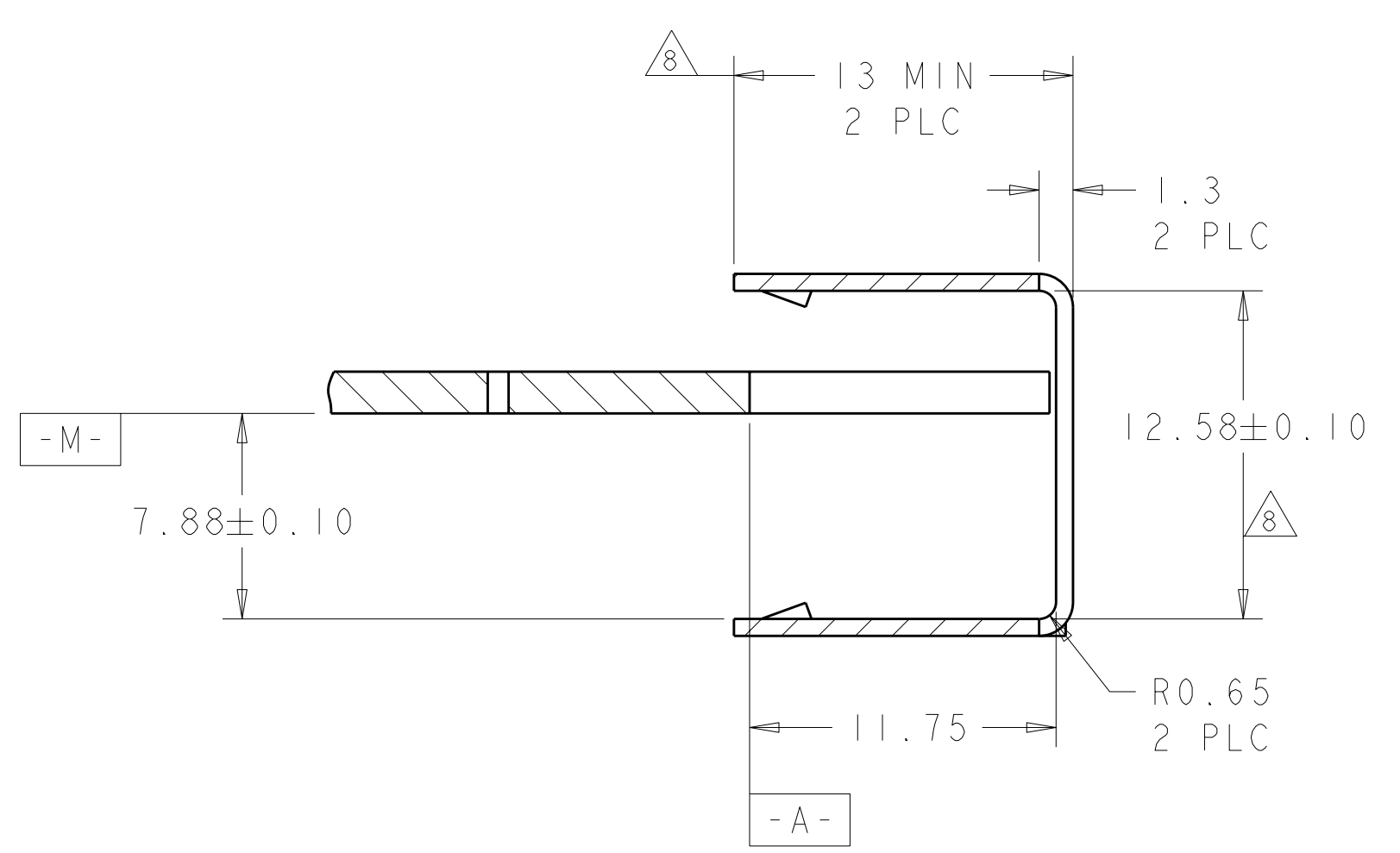
STE TE Connectivity

CONNECTOR ASSEMBLY, LOW PROFILE, PRESS FIT, MODULAR JACK, 1X4, RJ45

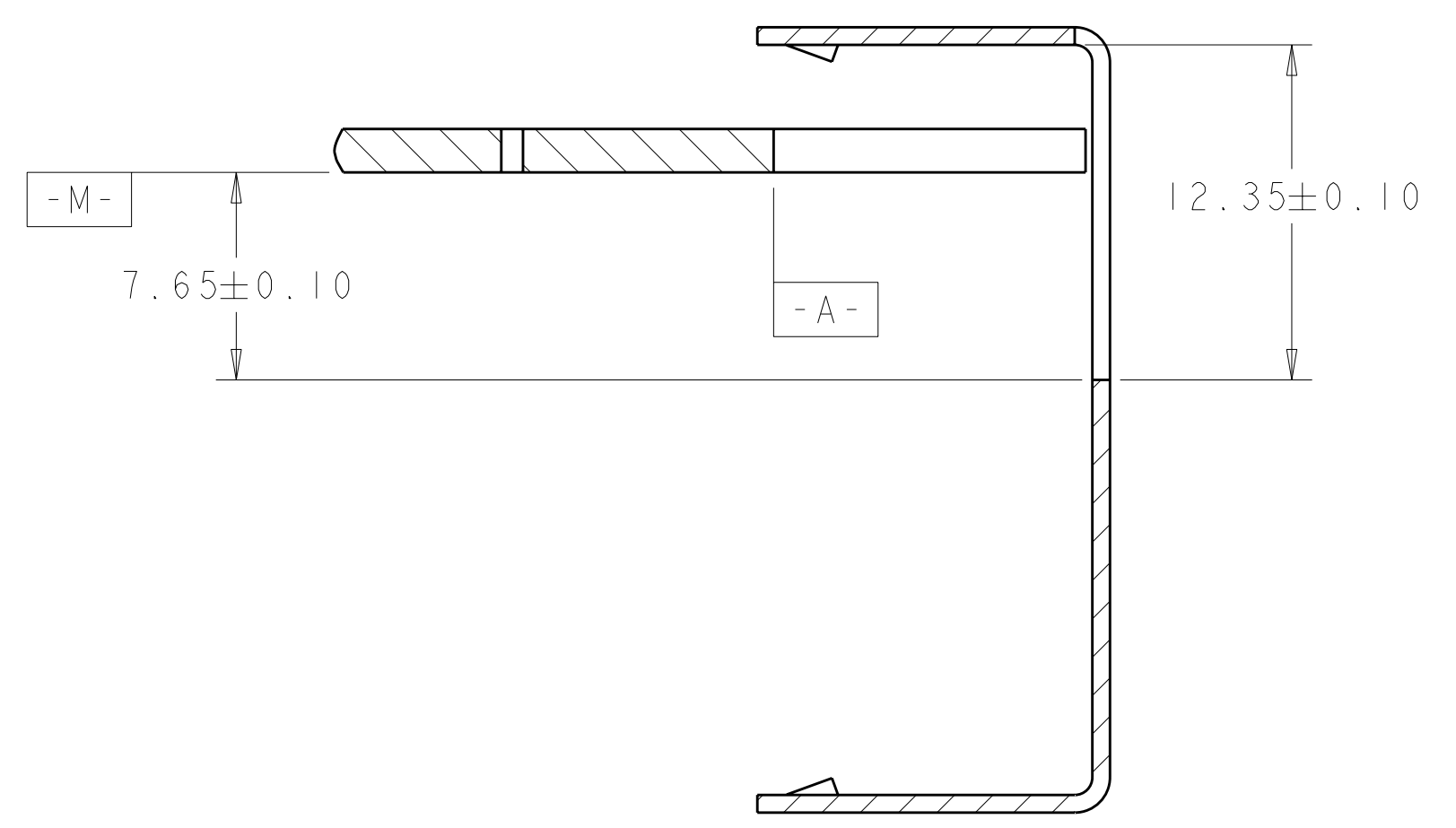
SIZE: A100779

CAGE CODE: 1888251

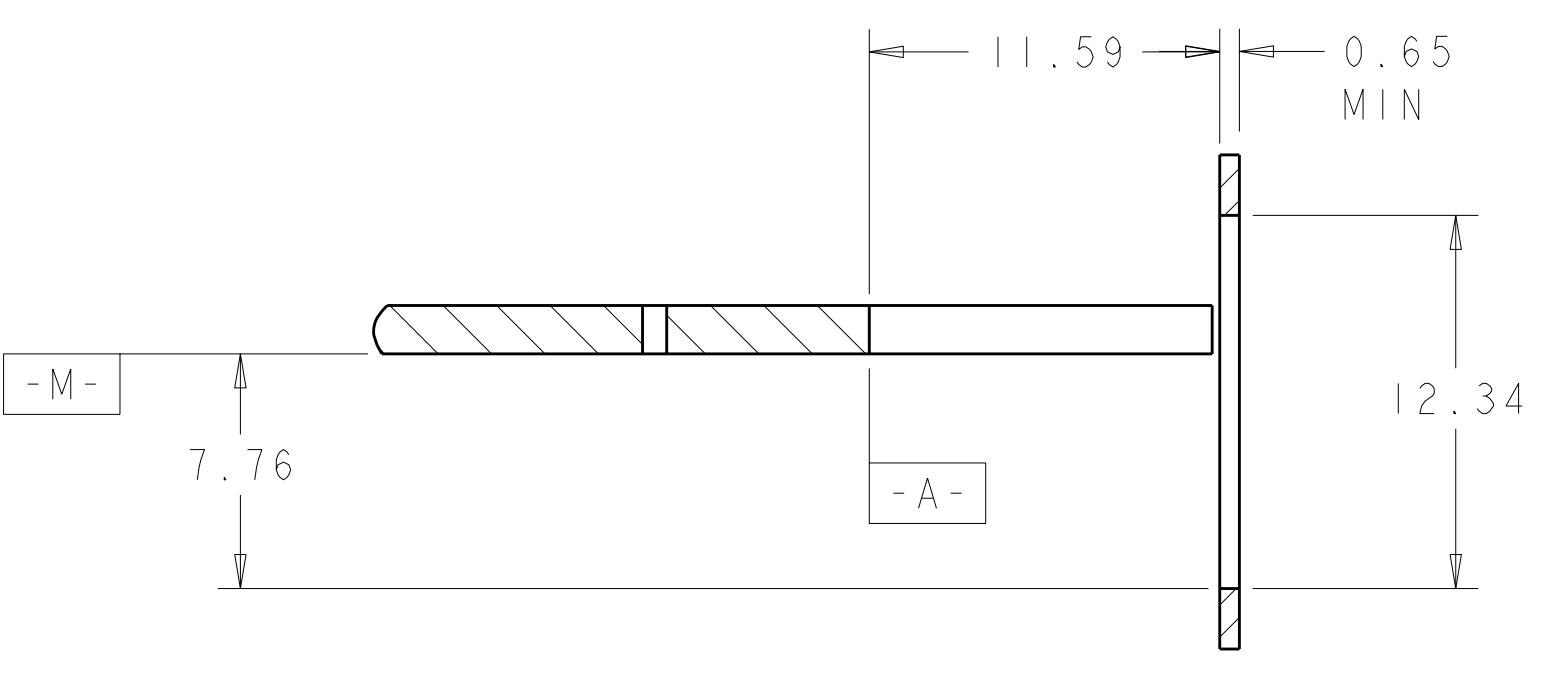
LOC	DIST	REV	DATE	BY	APPD
AA	00				
REVISIONS					
		SEE SHEET 1			



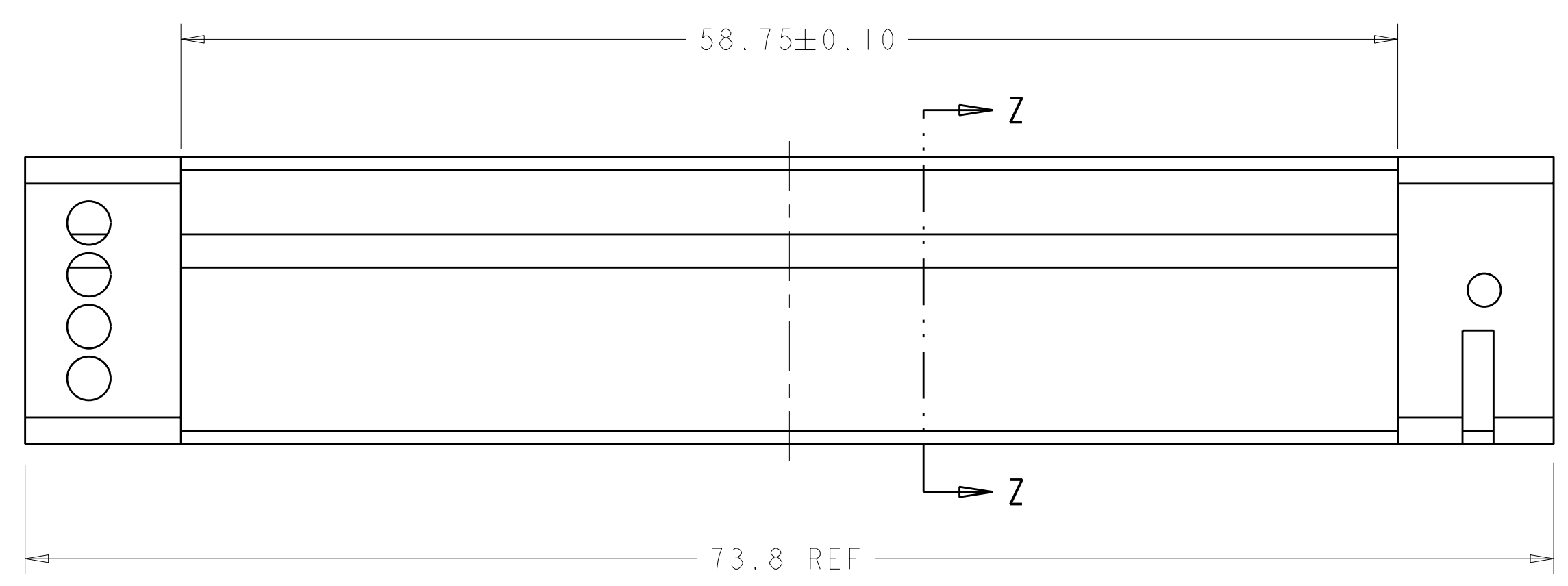
SECTION Z-Z



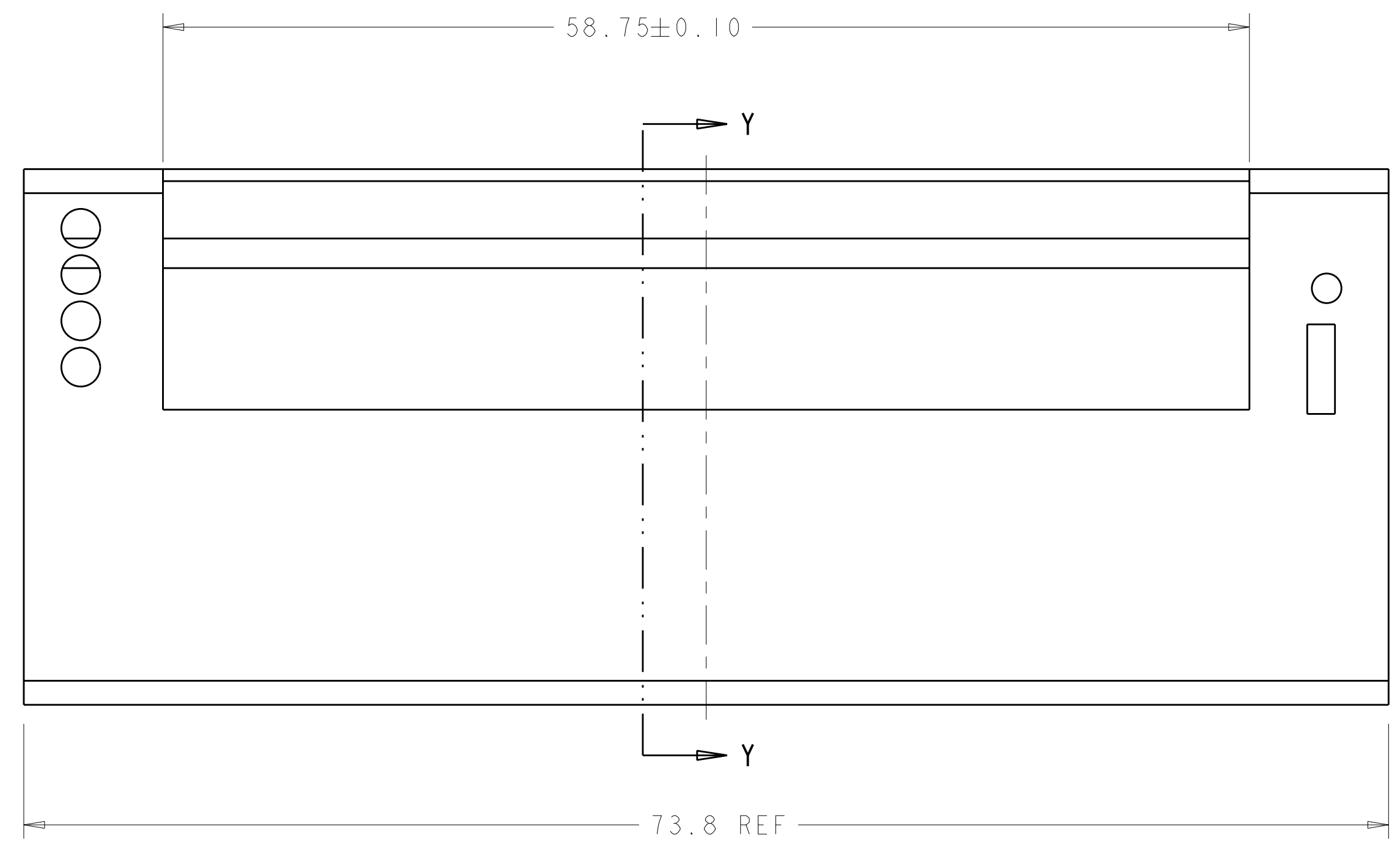
SECTION Y-Y



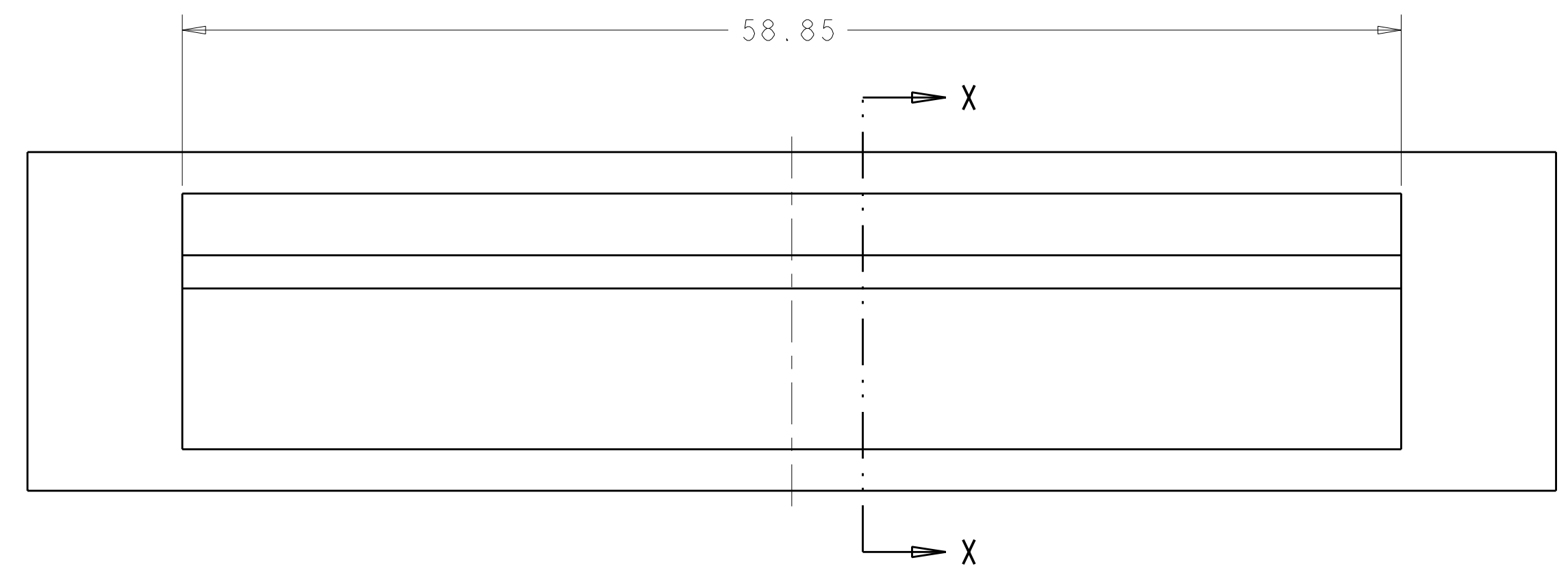
SECTION X-X



AMC SINGLE WIDTH, HALF HEIGHT MODULE FACE PLATE



AMC SINGLE WIDTH, FULL HEIGHT MODULE FACE PLATE



STANDARD FACE PLATE

THIS DRAWING IS A CONTROLLED DOCUMENT.		OWN: M.E.S./L.A. MAY 08	15FEB2008	TE Connectivity NAME: CONNECTOR ASSEMBLY, LOW PROFILE, PRESS FIT, MODULAR JACK, 1X4, RJ45
DIMENSIONS: mm		CHK: J.WESTMAN	15FEB2008	
TOLERANCES UNLESS OTHERWISE SPECIFIED:		APVD: S.FLICKINGER	15FEB2008	PRODUCT SPEC
0 PLC ± 1 PLC ± 2 PLC ±0.13 3 PLC ± 4 PLC ± ANGLES ±°		MATERIAL: SEE NOTE 1		APPLICATION SPEC
FINISH: SEE NOTE 1		MATERIAL: SEE NOTE 1		114-13179
MATERIAL: SEE NOTE 1		FINISH: SEE NOTE 1		SIZE: CAGE CODE: DRAWING NO: A100779 ©=1888251
MATERIAL: SEE NOTE 1		FINISH: SEE NOTE 1		WEIGHT: -
MATERIAL: SEE NOTE 1		FINISH: SEE NOTE 1		RESTRICTED TO: -
MATERIAL: SEE NOTE 1		FINISH: SEE NOTE 1		CUSTOMER DRAWING
MATERIAL: SEE NOTE 1		FINISH: SEE NOTE 1		SCALE: 4:1 SHEET 3 OF 3 REV: B6