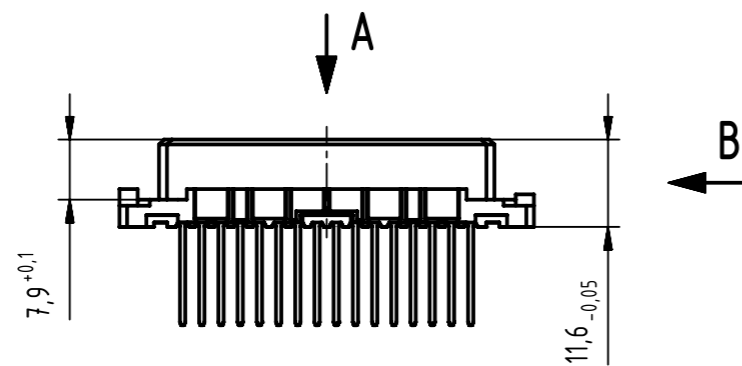


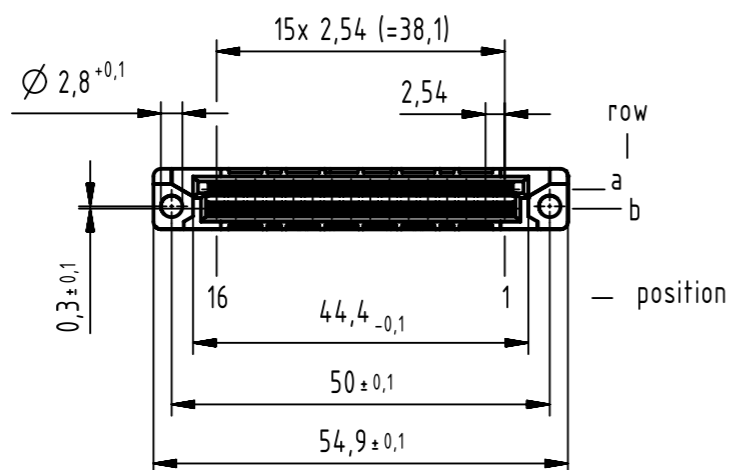
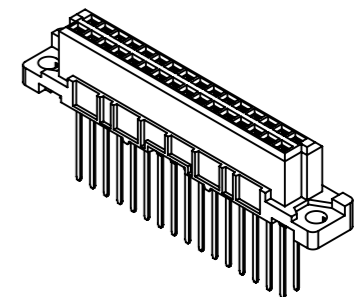
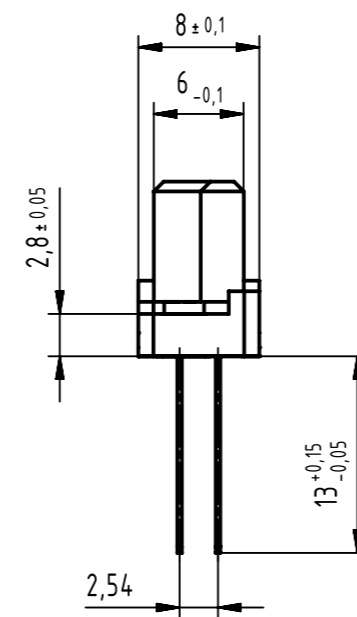
32 solder contacts

⊠ = position with contact

□ = position without contact



**B (2:1)**



09 22 232 6421	2
part-no	performance level ①

① further information see: DS 09032100001

	All Dimensions in mm Original Size DIN A3	Scale 1:1	Free size tol. IEC 60603-2	Ref. Sub. TB 0922232X421 / Mod.32050 / 13.07.05		
	All rights reserved Department EC PD - DE	Created by ZWAHR	Inspected by LEHNERT	Standardisation KOHLER	Date 2014-12-10	State Final Release
HARTING Electronics GmbH D-32339 Espelkamp		Title DIN Signal type 2B female solder 13.0 32-pole			Doc-Key / ECM-Nr. 100111900/UGD/034/C 50000081842	
		Type TB	Number 0922232X421		Rev. C	Page 1/1