

# RJ45 1000 Base-TX Jack with Magnetic Module



16.26 x 13.84 x 21.59mm

ARJ11E

**RoHS**  
Compliant

## FEATURES:

- Available with or without LED
- Suitable CAT 5 & 6 cable and UTP
- Comply IEEE 802.3ab
- LAN Magnetic with RJ4
- Suitable for RoHS compliant reflow

## APPLICATIONS:

- 1000 Base-TX LAN
- NIC, LoM and PC

## STANDARD SPECIFICATIONS at 25°C

Operating temperature range: 0°C to +70°C Storage temperature range: -40°C to +85°C

Part Number	Turns Ratio	EMI Fingers	LEDs	Insertion Loss (dB MAX)	Return Loss (dB MIN @100Ω±15Ω)			
					L/R	0.3-100MHz	1- 30 MHz	40 MHz
ARJ11E-M□ SA-A-B-ΔM2	1CT:1CT	Yes	G/Y	-1.2dB	-16	-13.5	-11.5	-10
ARJ11E-M□ SB-A-B-ΔU2	1CT:1CT	Yes	G/Y	-1.2dB	-16	-13.5	-11.5	-10
ARJ11E-M□ SC-A-B-ΔL2	1CT:1	Yes	G/Y	-1.2dB	-16	-13.5	-11.5	-10
ARJ11E-M□ SD-A-B-ΔM2	1CT:1CT	Yes	G/Y	-1.2dB	-16	-13.5	-11.5	-10
ARJ11E-MASA-M2	1CT:1CT	Yes	NA	-1.2dB	-16	-13.5	-11.5	-10
ARJ11E-MASB-M2	1CT:1CT	Yes	NA	-1.2dB	-16	-13.5	-11.5	-10
ARJ11E-MASC-L2	1CT:1	Yes	NA	-1.2dB	-16	-13.5	-11.5	-10
ARJ11E-MASD-M2	1CT:1CT	Yes	NA	-1.2dB	-16	-13.5	-11.5	-10
ARJ11E-MDSA-A-B-FM2	1CT:1CT	No	G/Y	-1.0dB (1-100MHz)	-16	-13.5 (30-40MHz)	-11.5 (40-50MHz)	-10 (50-80MHz)

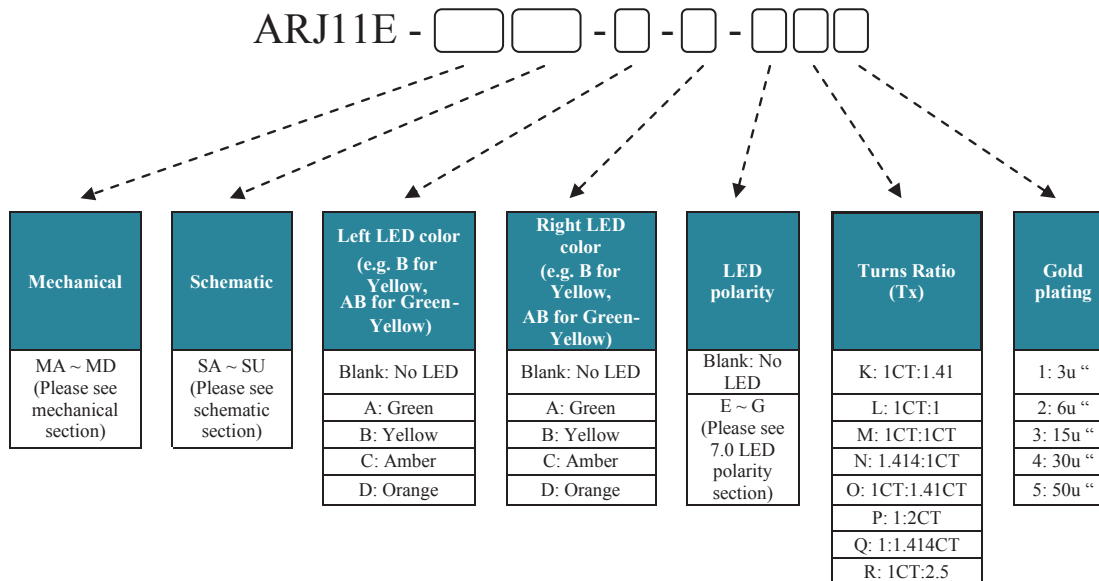
Part Number	Crosstalk (dB MIN)			Differential to Common Mode Rejection (dB MIN)			Hipot (Vrms)
	30 MHz	60 MHz	100 MHz	30 MHz	60 MHz	100 MHz	
ARJ11E-M□ SA-A-B-ΔM2	-40	-36	-30	-35	-32	-30	1500
ARJ11E-M□ SB-A-B-ΔU2	-40	-36	-30	-35	-32	-30	1500
ARJ11E-M□ SC-A-B-ΔL2	-40	-36	-30	-35	-32	-30	1500
ARJ11E-M□ SD-A-B-ΔM2	-40	-36	-30	-35	-32	-30	1500
ARJ11E-MASA-M2	-40	-36	-30	-35	-32	-30	1500
ARJ11E-MASB-M2	-40	-36	-30	-35	-32	-30	1500
ARJ11E-MASC-L2	-40	-36	-30	-35	-32	-30	1500
ARJ11E-MASD-M2	-40	-36	-30	-35	-32	-30	1500
ARJ11E-MDSA-A-B-FM2	-40 (0.3-30MHz)	-35 (30-60MHz)	-30 (60-100MHz)	-30 (CMR,1-30MHz)	-25 (CMR,30-60MHz)	-20 (CMR,60-125MHz)	1500

□ : Mechanical Option: B or C

Δ : LED Polarity Option: E, F or G

Contact Abracon for more custom configurations. See options to build a custom configuration.

## OPTIONS AND PART IDENTIFICATION



# RJ45 1000 Base-TX Jack with Magnetic Module

ARJ11E

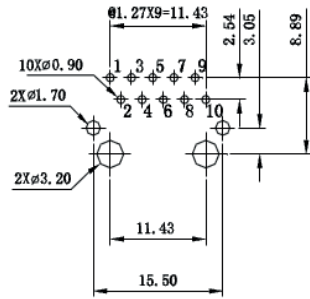
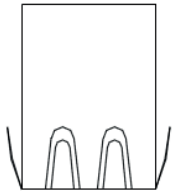
RoHS  
Compliant



16.26 x 13.84 x 21.59mm

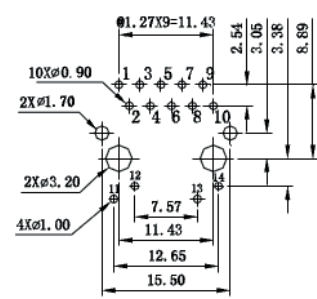
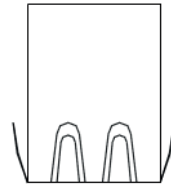
## MECHANICAL DIMENSIONS

MA

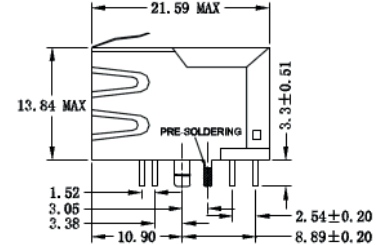
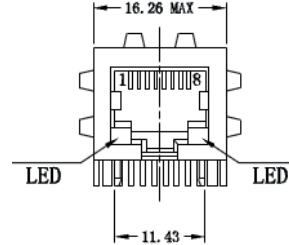
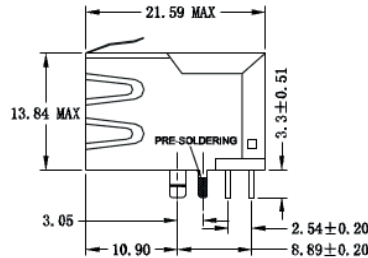
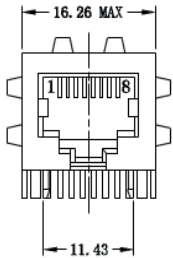


PC Board Layout  
Component Side Shown

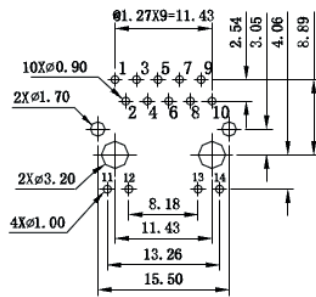
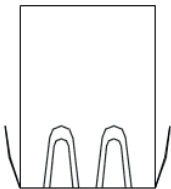
MB



PC Board Layout  
Component Side Shown

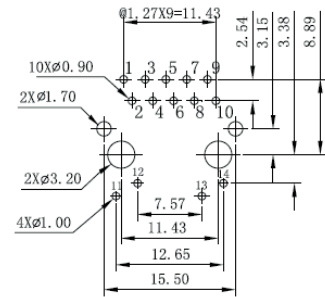
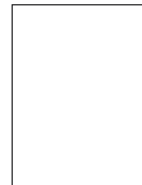


MC

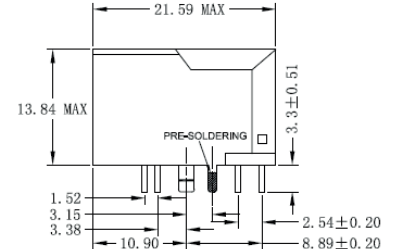
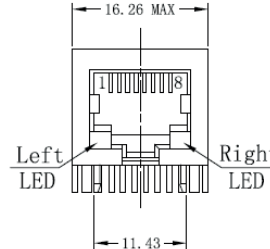
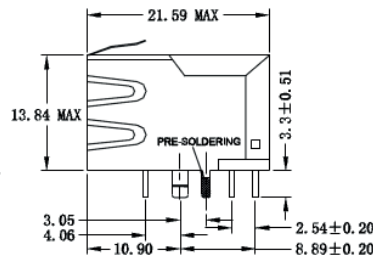
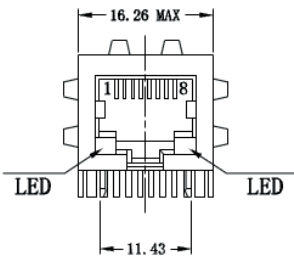


PC Board Layout  
Component Side Shown

MD



PC Board Layout  
Component Side Shown



Dimension: mm. All tolerances are ±0.25

# RJ45 1000 Base-TX Jack with Magnetic Module

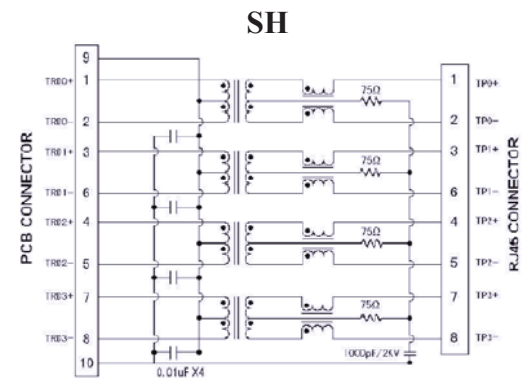
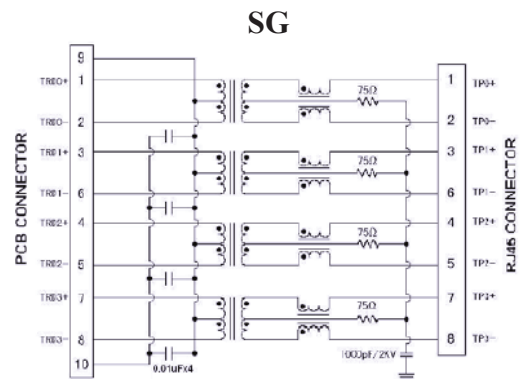
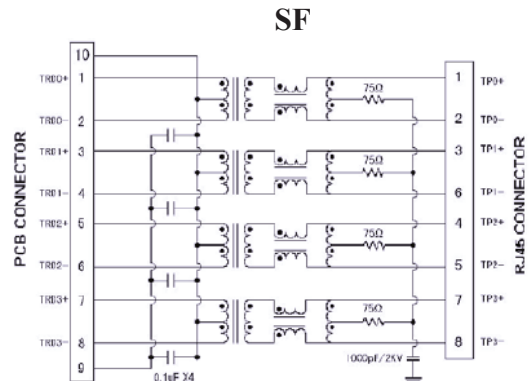
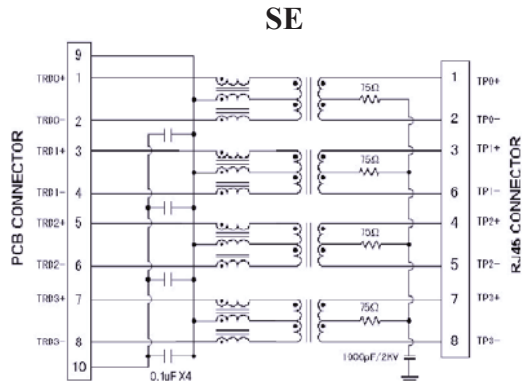
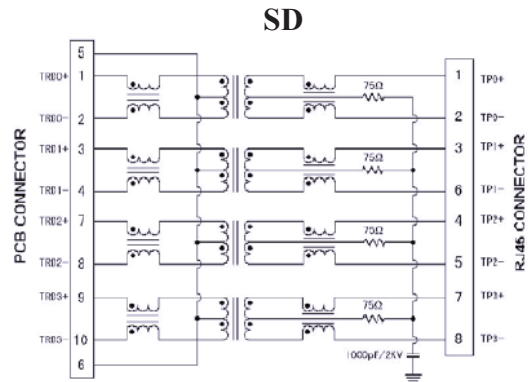
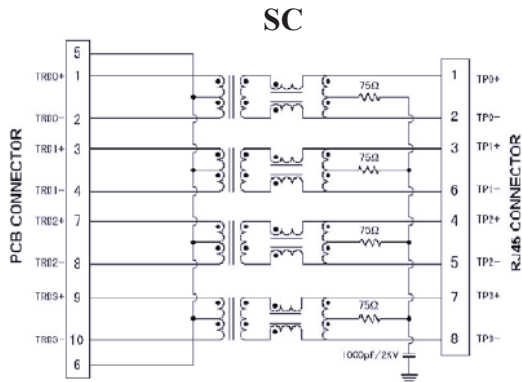
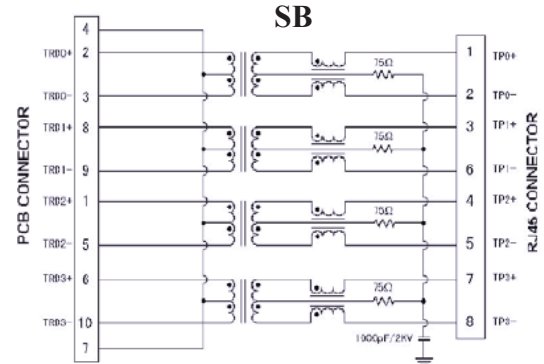
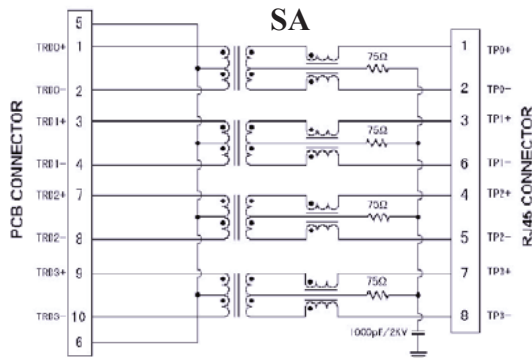


16.26 x 13.84 x 21.59mm

ARJ11E

RoHS  
Compliant

## SCHEMATICS



# RJ45 1000 Base-TX Jack with Magnetic Module

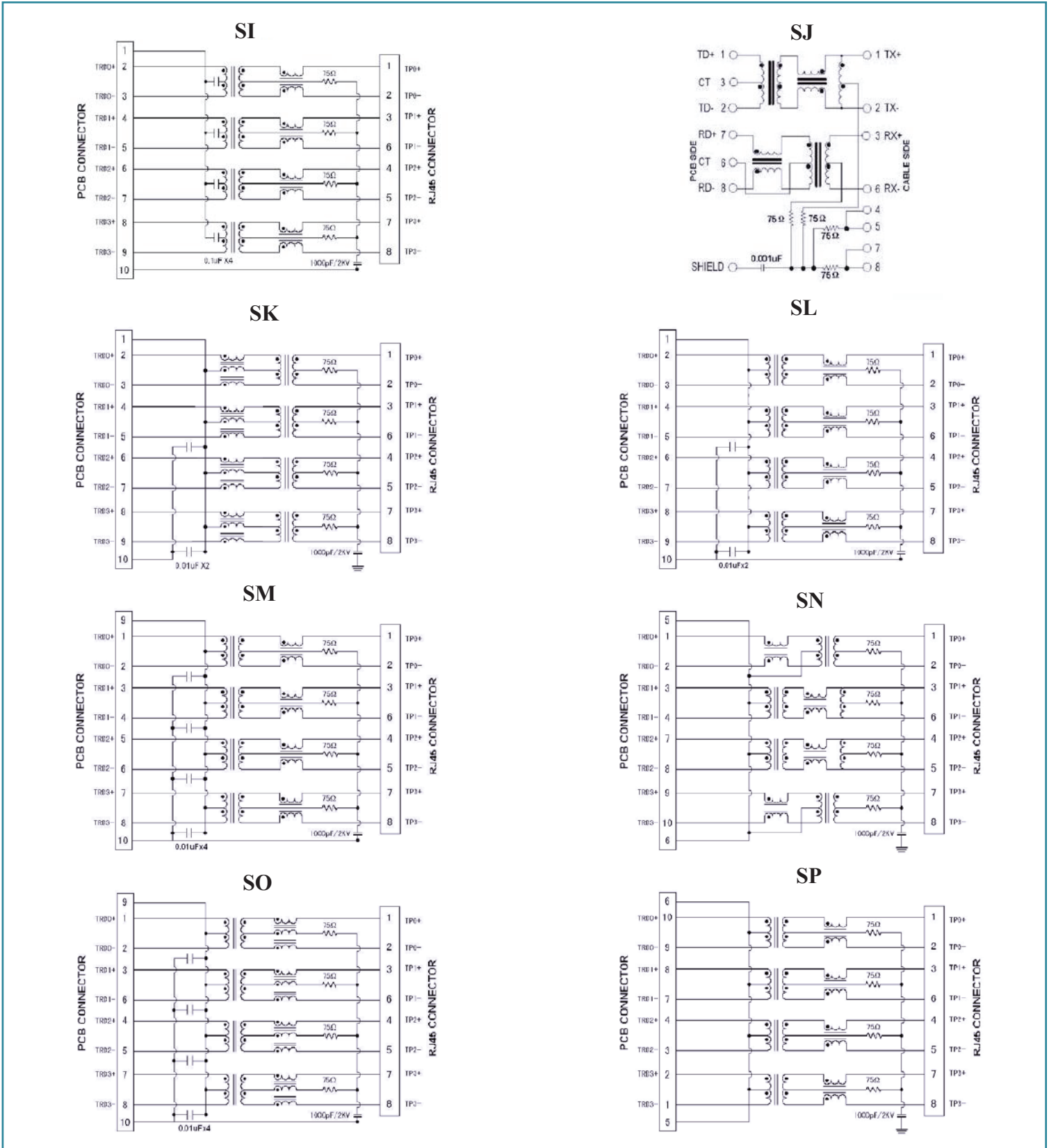


16.26 x 13.84 x 21.59mm

**RoHS**  
Compliant

ARJ11E

## SCHEMATICS - continued



# RJ45 1000 Base-TX Jack with Magnetic Module

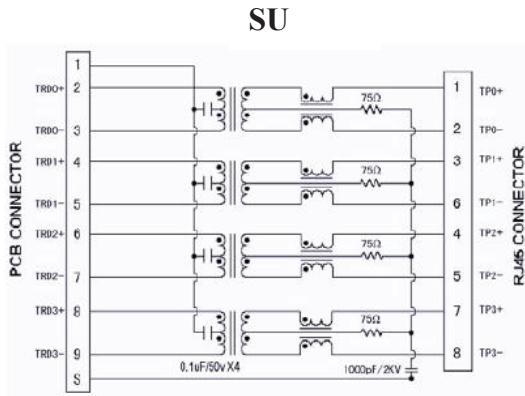
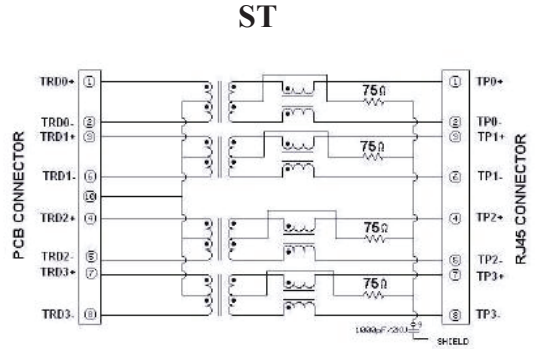
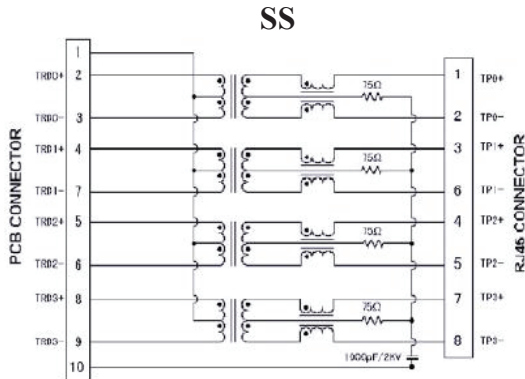
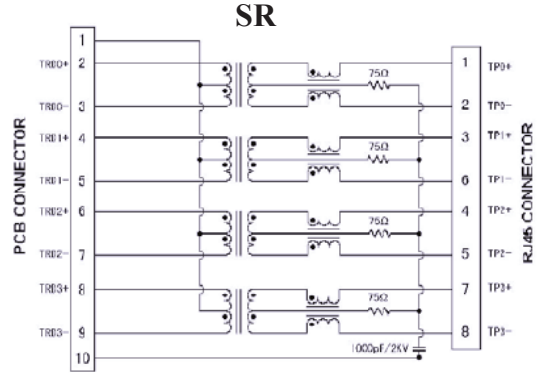
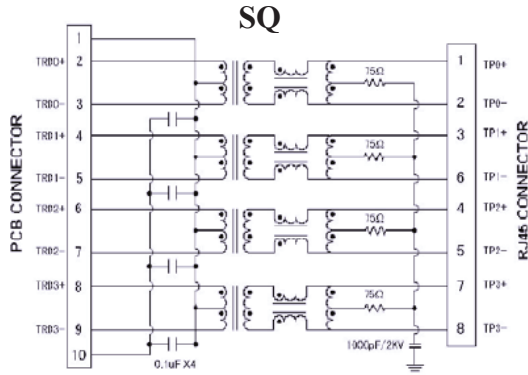


16.26 x 13.84 x 21.59mm

**RoHS**  
Compliant

ARJ11E

## SCHEMATICS - continued



# RJ45 1000 Base-TX Jack with Magnetic Module

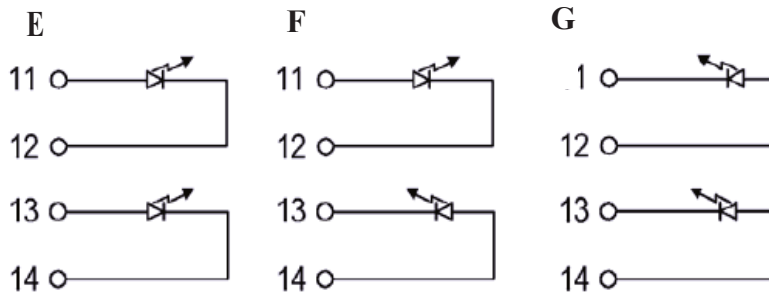


16.26 x 13.84 x 21.59mm

**RoHS**  
Compliant

ARJ11E

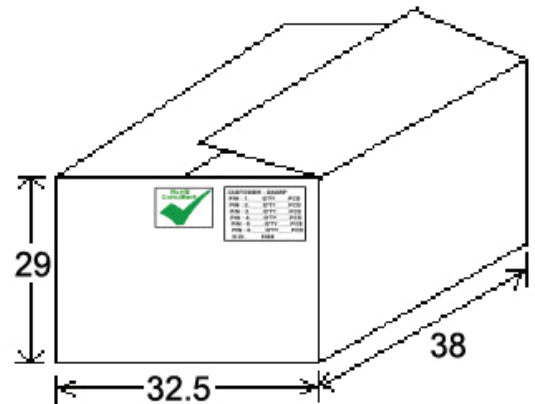
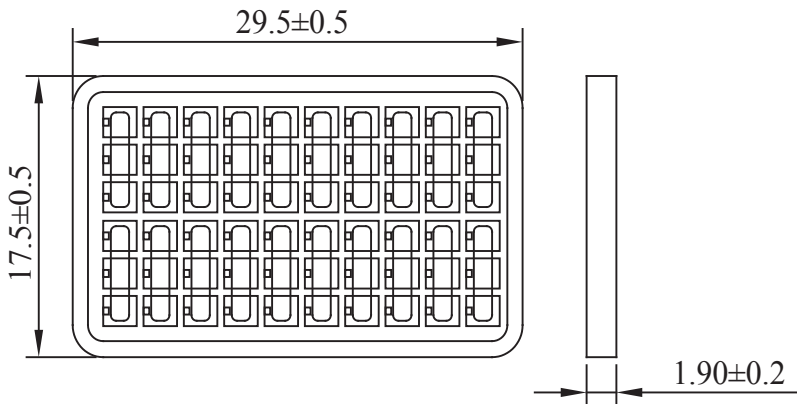
## LED POLARITY



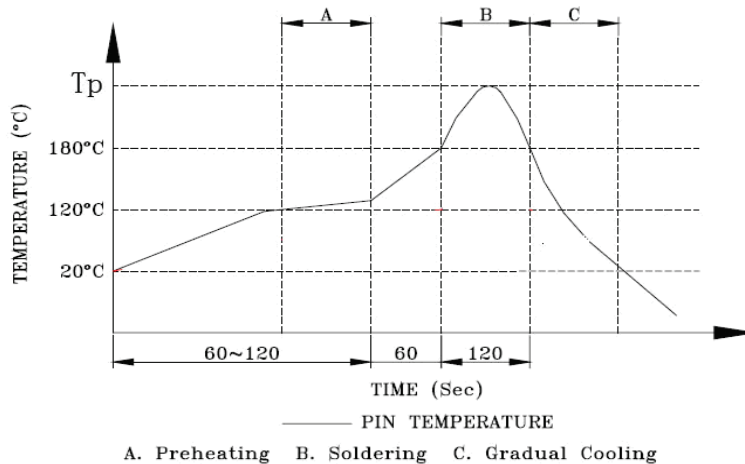
## PACKING: 60pcs/tray

Packaging material: PET

Outer carton unit 1320 pcs/ 22 Trays/box



## REFLOW PROFILE:



Peak temperature( $T_p$ ) :  $250 \pm 10^\circ\text{C}$   
 Peak temperature( $T_p$ ) time : 5sec max

**ATTENTION:** Abracon Corporation's products are COTS – Commercial-Off-The-Shelf products; suitable for Commercial, Industrial and, where designated, Automotive Applications. Abracon's products are not specifically designed for Military, Aviation, Aerospace, Life-dependant Medical applications or any application requiring high reliability where component failure could result in loss of life and/or property. For applications requiring high reliability and/or presenting an extreme operating environment, written consent and authorization from Abracon Corporation is required. Please contact Abracon Corporation for more information.

ABRACON IS  
ISO 9001:2008  
CERTIFIED

**ABRACON**  
The Power of Linking Together

1501 Hidden Creek Lane Spicewood TX 78751  
Phone: 512-371-6159 | Fax: 512-351-8858  
For terms and conditions of sales visit: [www.abracon.com](http://www.abracon.com)

Revised: 06/07/2016