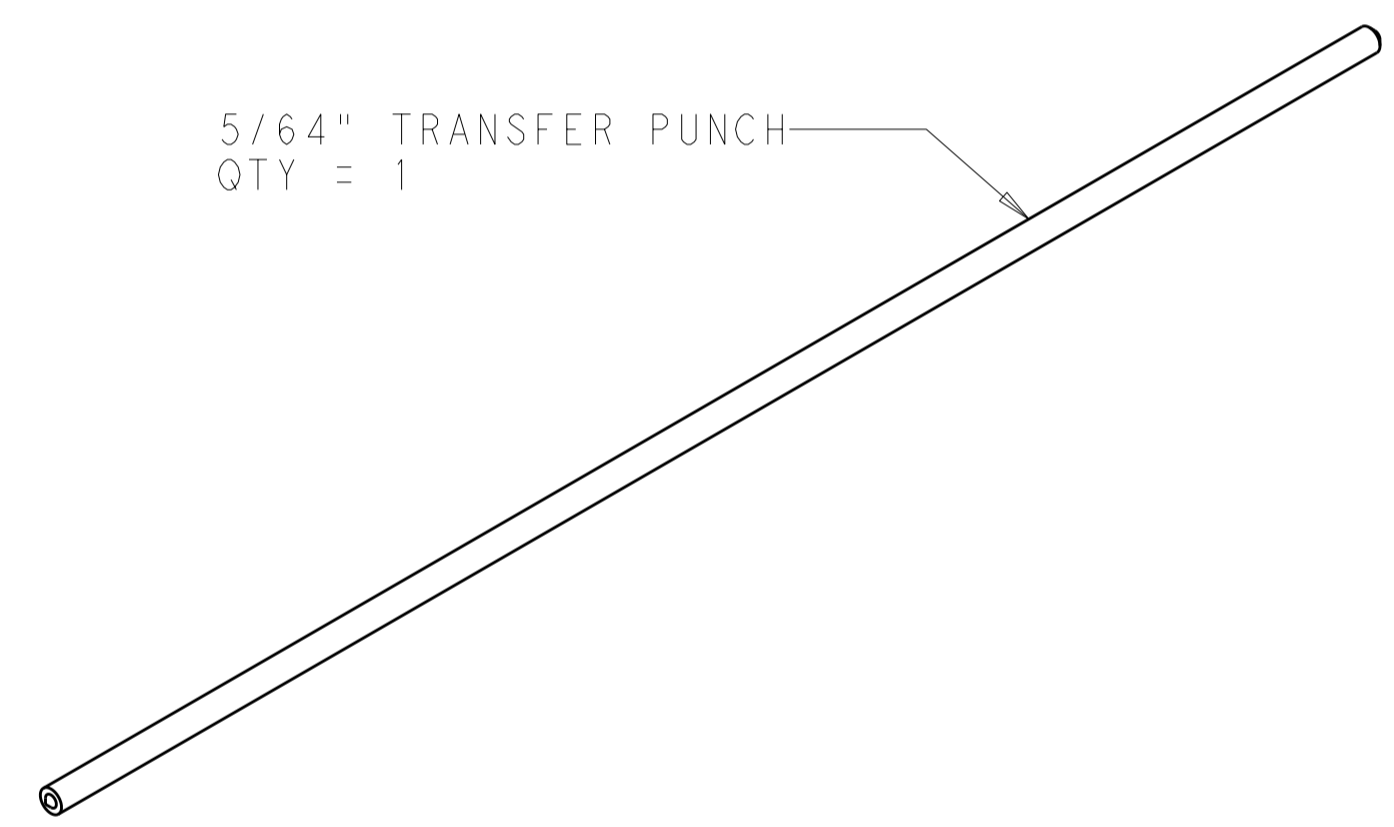
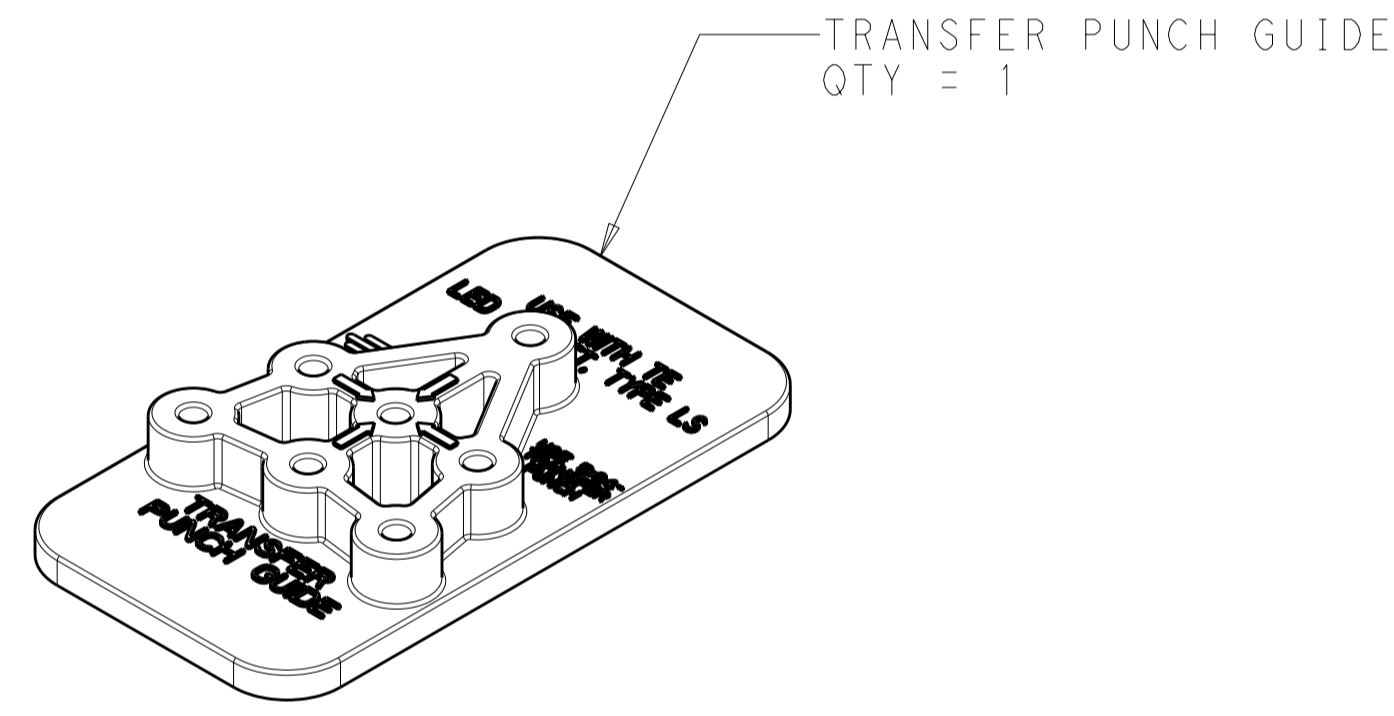



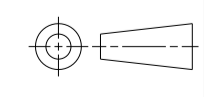
THIS DRAWING IS UNPUBLISHED. RELEASED FOR PUBLICATION 20
 © COPYRIGHT 20 BY - ALL RIGHTS RESERVED.

| LOC | | DIST | | REVISIONS | | | |
|-----|-----|---------------------------|-----------|-----------|------|--|--|
| P | LTR | DESCRIPTION | DATE | DWN | APVD | | |
| | A | REVISED PER ECR-11-012473 | 01JUL2011 | RK | DD | | |
| | | | | | | | |
| | | | | | | | |

- MATERIALS:
 PUNCH GUIDE: PC, COLOR- BLACK
 PUNCH: STEEL
- ONE OF EACH ITEM, PACKAGED TOGETHER
- GUIDE FOR USE WITH LED SOCKET, TYPE LS, P/N 2154235-X.
- GUIDE DESIGNED TO BE USED WITH A 5/64" TRANSFER PUNCH TO ACCURATELY MARK MOUNTING HOLE DRILL LOCATIONS.
- GUIDE TO BE REMOVED FROM HEAT SINK PRIOR TO DRILLING OPERATION.



2154473-1
 PART NUMBER

| | | | | |
|---|--|-------------------------------|---|-------------------------|
| THIS DRAWING IS A CONTROLLED DOCUMENT. | | DWN R. BROWN 31MAR2011 |  TE Connectivity | |
| | | CHK R. NARANG 31MAR2011 | | |
| DIMENSIONS: mm | | APVD - | NAME KIT, TRANSFER PUNCH GUIDE AND TRANSFER PUNCH, LED SOCKET, TYPE LS | |
|  | | PRODUCT SPEC - | RESTRICTED TO - | |
| TOLERANCES UNLESS OTHERWISE SPECIFIED: 0 PLC ± 1 PLC ± 2 PLC ± 3 PLC ± 4 PLC ± ANGLES ± FINISH | | APPLICATION SPEC 114-13294 | SIZE A200779 | DRAWING NO C-2154473 |
| MATERIAL - | | WEIGHT - | SCALE 2:1 SHEET 1 OF 1 REV A | |
| | | CUSTOMER DRAWING | | |