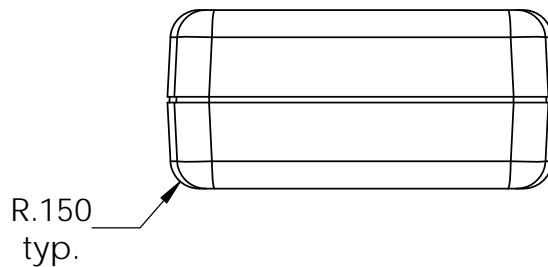
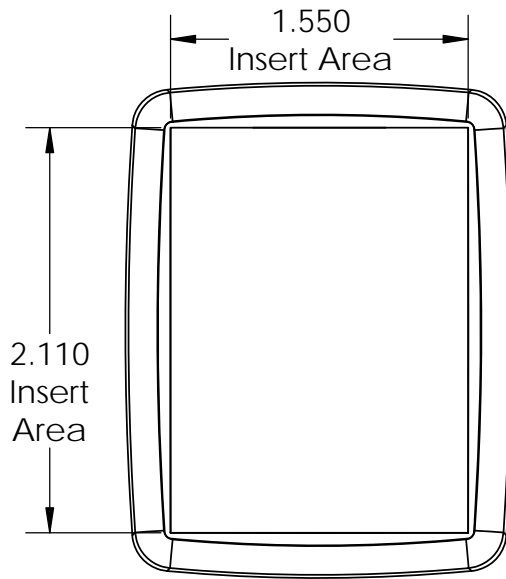
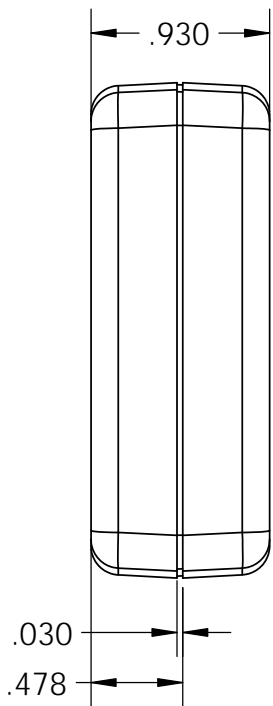


SERPAC CH8

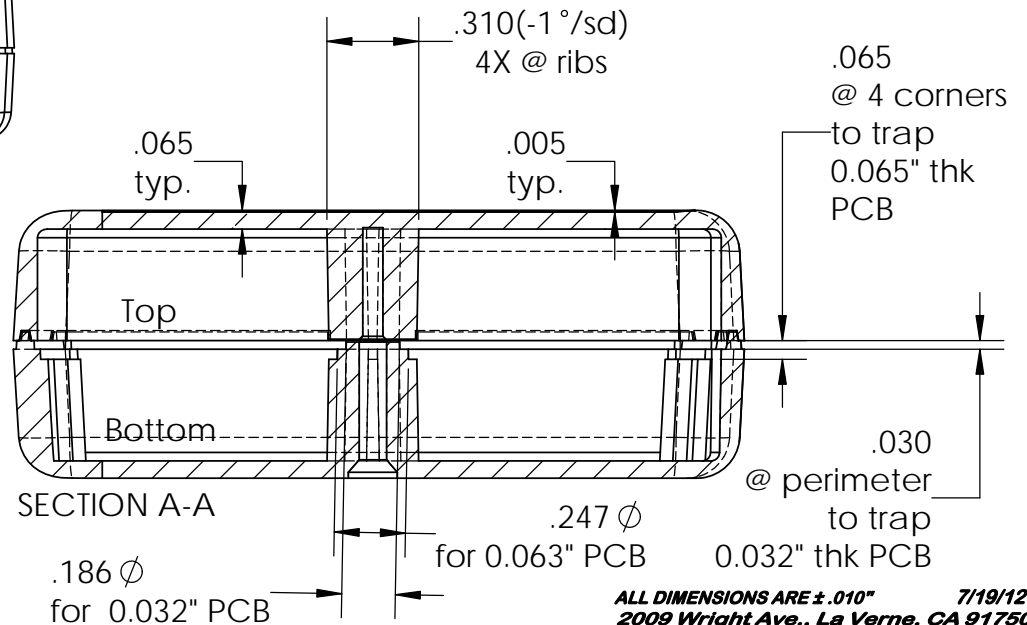
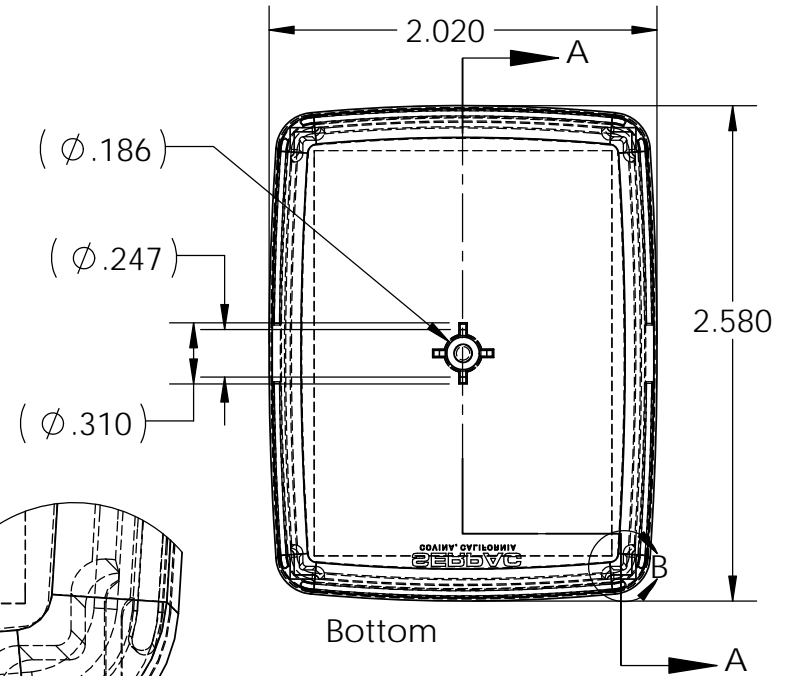
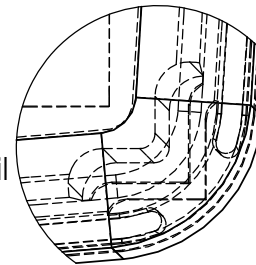
Electronic Enclosures

NOTES:

1) When machine or I-plates modifications are required, use the center of the enclosure to dimension.



DETAIL B
corner detail



Enclosure can hold either a 0.032" PCB or a 0.063 PCB
 PCB dimensions are: (PCB drawings on page 2)
 0.032" [.8mm] PCB 2.345" X 1.795" (0.20 center hole)
 0.063" [1.6mm] PCB 2.30" X 1.75" (0.26 center hole)

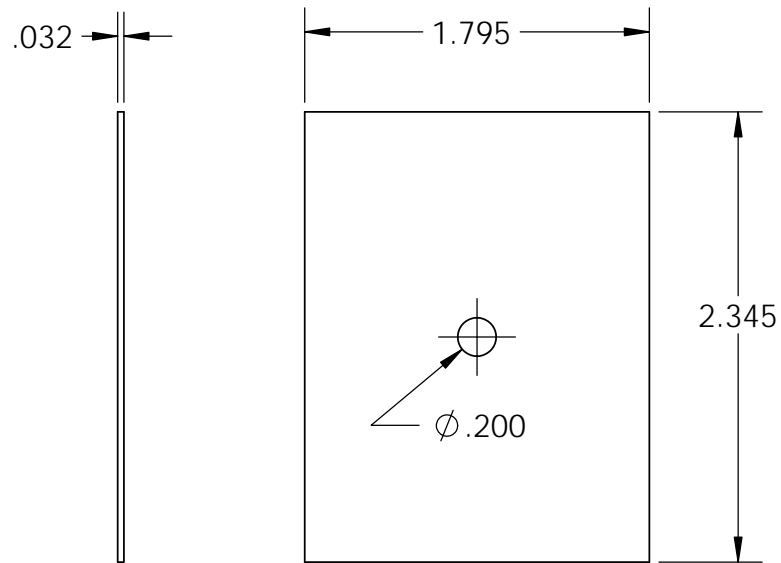
PART NO.	DESCRIPTION	ACCESSORIES	
1105	CH8 TOP	PART NO. 55	DESCRIPTION KEY HOLDER
1106	CH8 BOTTOM		
6007	SCREW 2x3/4" PHILFLAT H/L (1)		

ALL DIMENSIONS ARE ± .010" 7/19/12
 2009 Wright Ave., La Verne, CA 91750

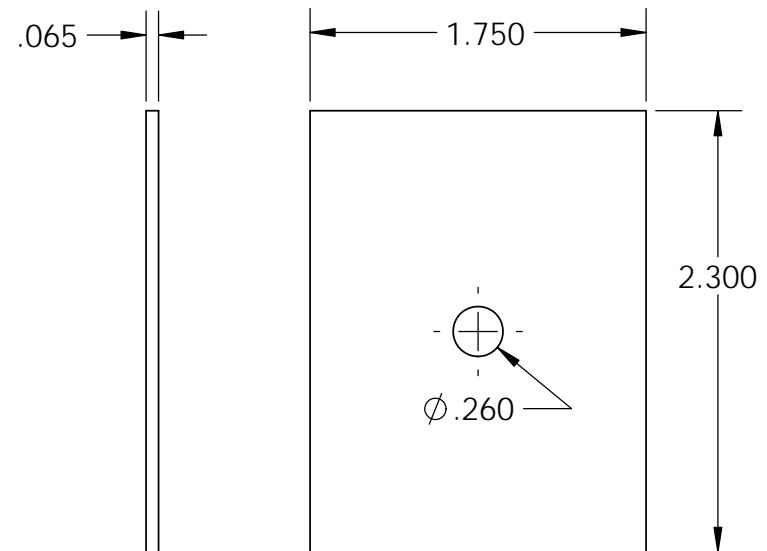
Ph. (626) 331-0517 Fx. (626) 331-8584 www.serpac.com

SERPAC CIRCUIT BOARD CH8

Electronic Enclosures



.032 board



.065 board

NOTES:
These are suggested dimensions.
Plastic parts have a ± 0.010 " manufacturing tolerance.