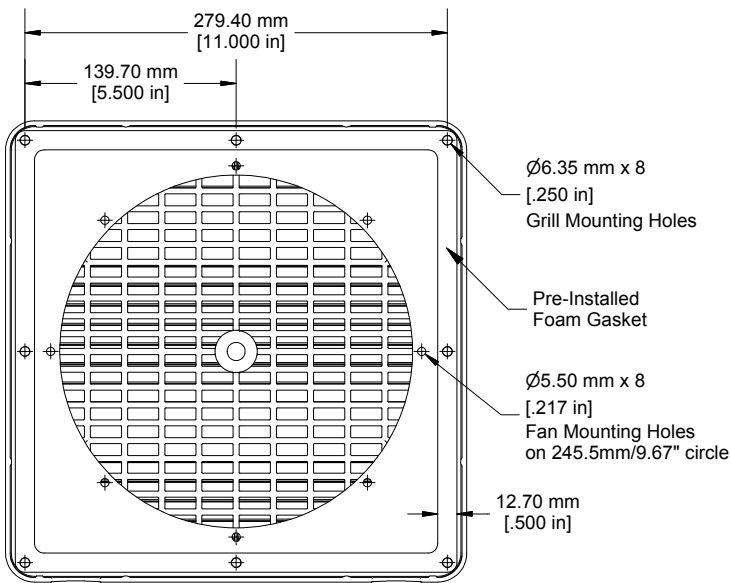


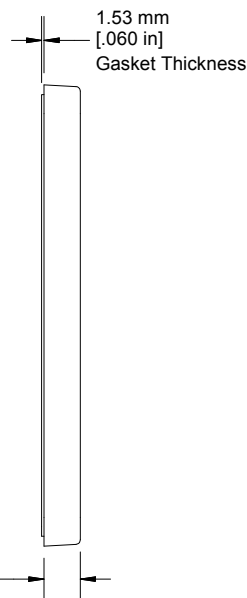
**Front View of Assembly**



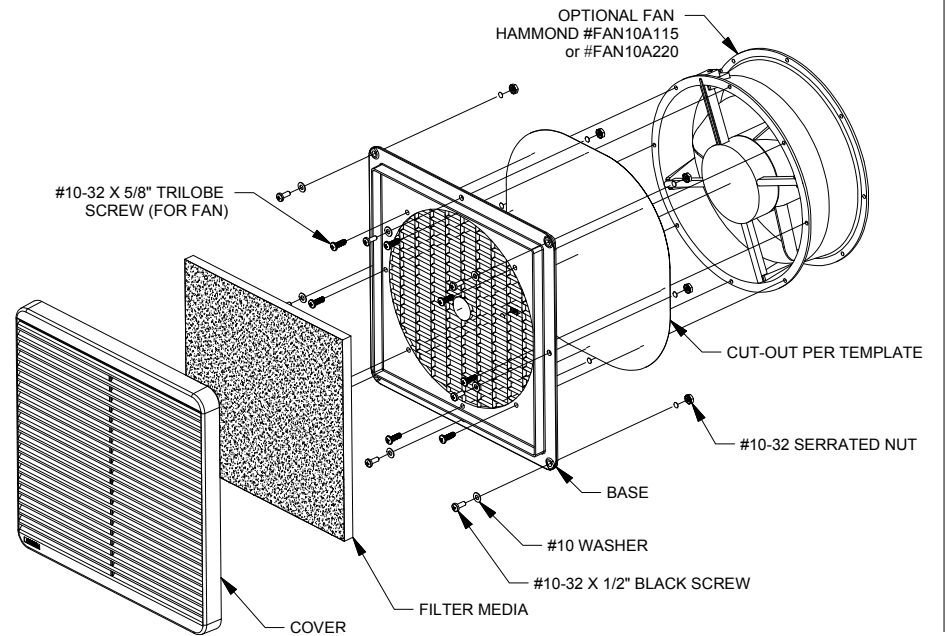
**Bottom View of Assembly**



**Rear View of Assembly**



**Side View of Assembly**



<b>NOTE</b>	
Purchased assembly includes snap-together Cover and Base (FRABS UL94-V0), foam EVA gasket, stainless steel mounting hardware, filter media and installation template.	
<b>PART NUMBERS</b>	
<b>XPFA254 Filter Fan Grill</b>	
Black	XPFA254BK
Beige - RAL 7032	XPFA254CG
Gray - ANSI 61	XPFA254GY
Light Gray - RAL7035	XPFA254LG
<b>Accessories</b>	
Standard Filter Media (Pkg of 5)	PFF6000
Pleated Filter Media (Pkg of 5)	PLFF6000

**HAMMOND  
MANUFACTURING™**

**XPFA254**

www.hammondmfg.com