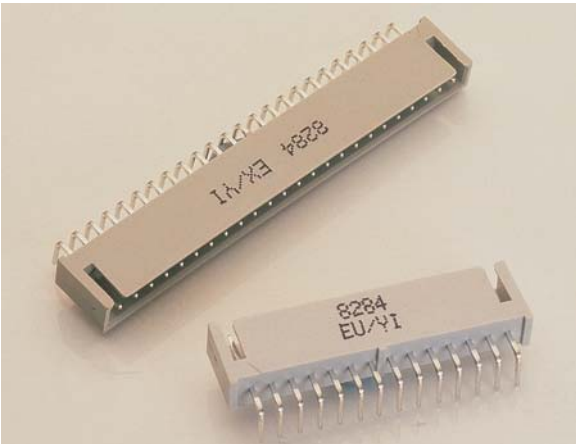


# Single Row IDC Header

## Series 8284



IDC header/socket for 0.100" (2.54mm) pitch IDC for 0.100" (2.54mm) round conductor flat cable uses similar 8289/8290 contact components recognized under UL & CSA specifications, but housed in a single row insulator format. The header is a 1-piece insulator with right angle, straight solder or press-fit terminations. The socket is a 2-piece insulator design with IDC contacts suitable for termination to 26/28 AWG stranded ribbon cable or dip solder terminations.

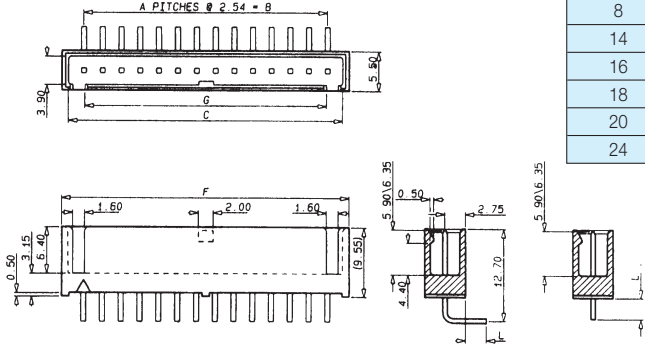


### TECHNICAL SPECIFICATION

<p><b>Material:</b> Molding - UL94VO rated grey polyester Contact - Brass</p> <p><b>Current Rating:</b> 1.5 Amp maximum at 25°C 1 Amp maximum at 70°C</p> <p><b>Insulation Resistance:</b> 1000 megohms</p>	<p><b>Dielectric Withstanding Voltage:</b> 1050V DC or AC peak</p> <p><b>Voltage Rating:</b> 350V DC or AC peak</p> <p><b>Contact Resistance:</b> 20 milliohms maximum</p> <p><b>Operating Temperature:</b> -55°C to +125°C</p>	<p><b>Mechanical Endurance:</b> Standard tin plating - 10 cycles</p> <p><b>Insertion/Withdrawal Forces:</b> 2.7N max insertion force per contact 0.2N min withdrawal force per contact</p>
---	---	--

### HEADER

### DIMENSIONS: millimeters (inches)



No. of Positions	A	B	C	D	E	F	G
8	7	17.78 (0.70)	21.30 (0.84)	18.54 (0.73)	19.30 (0.76)	23.70 (0.93)	17.54 (0.69)
14	13	33.02 (1.30)	36.54 (1.44)	33.78 (1.33)	34.54 (1.36)	38.94 (1.53)	32.78 (1.29)
16	15	38.10 (1.50)	42.22 (1.66)	38.86 (1.53)	39.62 (1.56)	44.02 (1.73)	37.86 (1.49)
18	17	43.18 (1.70)	46.70 (1.84)	43.94 (1.73)	44.70 (1.76)	49.10 (1.93)	42.94 (1.69)
20	19	48.26 (1.90)	52.38 (2.06)	49.02 (1.93)	49.78 (1.96)	54.18 (2.13)	48.02 (1.89)
24	23	58.42 (2.30)	61.94 (2.44)	59.18 (2.33)	59.94 (2.36)	64.34 (2.53)	58.18 (2.29)

### ORDERING CODE

<p><b>10</b></p> <p>Connector Code Prefix</p> <p>10 = Header Connector</p>	<p><b>8284</b></p> <p>Series Number</p>	<p><b>014</b></p> <p>Number of Contacts</p> <p>008 = 8 position 014 = 14 position 016 = 16 position 018 = 18 position 020 = 20 position 024 = 24 position</p>	<p><b>000</b></p> <p>Contact Variation</p> <p>000 = 0.110" (2.8mm) Straight PC Tail 001 = 0.146" (3.7mm) Straight PC Tail 002 = 0.110" (2.8mm) R.A. PC Tail 003 = 0.146" (3.7mm) R.A. PC Tail 009 = 0.209" (4.5mm) Straight PF Tail</p>	<p><b>030</b></p> <p>Plating Variation</p> <p>030 = Tin plating, 10 cycles 040 = Gold plating, 50 cycles</p>
--	---	---	---	--

Not all versions are available, please check with AVX Customer Service for availability.



