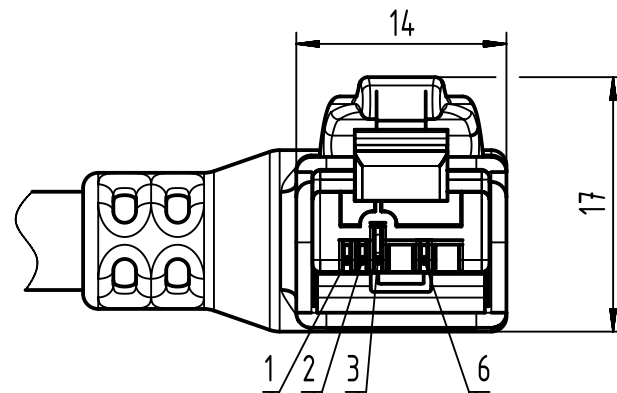
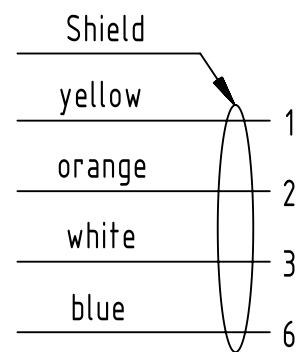


HARTING RJ Industrial RJ45, Cat. 5,
4-pole, angled overmolded, 0° position

Mating face RJ45 acc. to IEC 60603-7

Loading-Plan:



- Protection level: IP20
- Temperature range: -40°C ... +70°C

	All Dimensions in mm Original Size DIN A3		Scale 2:1	Free size tol.		Ref.	
	All rights reserved Department EC PD - RO		Created by MUNTEANV	Inspected by AVRAM	Standardisation HOFFMANN	Date 2016-01-25	State Final Release
HARTING Electronics GmbH D-32339 Espelkamp		Title RJ Industrial Cable Assembly				Doc-Key / ECM-Nr. 100177621/UGD/010/D 50000099449	
		Type TB	Number 09470600XXX			Rev. D	Page 1/2

1		2		3		4		5		6		7		8	
A	52	09470600052	RJ45 Ethernet trailing cable, AWG22/7, 2x2x0.75, PUR, Cat. 5+, green	6.5±0.2	6	RJ45 Ha-VIS EtherRail, Flexible data cable, AWG22/7, 4x0.25, Cat. 5/5e, black	6.6±0.2	0.5	90	09470600090	RJ45 Ethernet stranded cable, 4xAWG22/7, PVC, Cat. 5+, green	6.5±0.2	100	89	09470600088
	51	09470600051			5		88	09470600087							
	50	09470600050			4		87	09470600086							
	49	09470600049			3		86	09470600085							
	48	09470600048			2		85	09470600084							
	47	09470600047			1.5		84	09470600083							
	46	09470600046			1		83	09470600082							
	45	09470600045			0.5		82	09470600081							
	44	09470600044			100		81	09470600080							
	B	43			09470600043		90	80		09470600079					
42		09470600042	80	79	09470600089										
41		09470600041	70	78	09470600078										
40		09470600040	60	77	09470600077										
39		09470600039	50	76	09470600076										
38		09470600038	40	75	09470600075										
37		09470600037	30	74	09470600074										
36		09470600036	20	73	09470600073										
35		09470600035	15	72	09470600072										
C		34	09470600034	10	71	09470600071									
	33	09470600033	9	70	09470600070										
	32	09470600032	8	69	09470600069										
	31	09470600031	7	68	09470600068										
	30	09470600030	6	67	09470600067										
	29	09470600029	5	66	09470600066										
	28	09470600028	4	65	09470600065										
	27	09470600027	3	64	09470600064										
	26	09470600026	2	63	09470600063										
	D	25	09470600025	1.5	62	09470600062									
24		09470600024	1	61	09470600061										
23		09470600023	0.5	60	09470600060										
22		09470600022	100	59	09470600059										
21		09470600021	90	58	09470600058										
20		09470600020	80	57	09470600057										
19		09470600019	70	56	09470600056										
18		09470600018	60	55	09470600055										
17		09470600017	50	54	09470600054										
E		16	09470600016	40	53	09470600053									
	15	09470600015	30	RJ45 Ethernet trailing cable, AWG22/7, 2x2x0.75, PUR, Cat. 5+, green											
	14	09470600014	20	40	30										
	13	09470600013	15	20	15										
	12	09470600012	10	10	10										
	11	09470600011	9	9	9										
	10	09470600010	8	8	8										
	9	09470600009	7	7	7										
	8	09470600008	6	6	6										
	F	7	09470600007	5	5	5									
6		09470600006	4	4	4										
5		09470600005	3	3	3										
4		09470600004	2	2	2										
3		09470600003	1.5	1.5	1.5										
2		09470600002	1	1	1										
1		09470600001	0.5	0.5	0.5										
Cont. no.		Part no.	Type of cable	Dim. d [mm]	Dim. a [m]										

Cont. no.	Part no.	Type of cable	Dim. d [mm]	Dim. a [m]

	All rights reserved Department EC PD - RO	All Dimensions in mm Original Size DIN A3	Scale 1:1	Free size tol.	Ref. Sub.
HARTING Electronics GmbH D-32339 Espelkamp		Created by MUNTEANV	Inspected by AVRAM	Standardisation HOFFMANN	Date 2016-01-25
		Title RJ Industrial Cable Assembly			Doc-Key / ECM-Nr. 100177621/UGD/010/D 50000099449
		Type TB	Number 09470600XXX		Rev. D Page 2/2