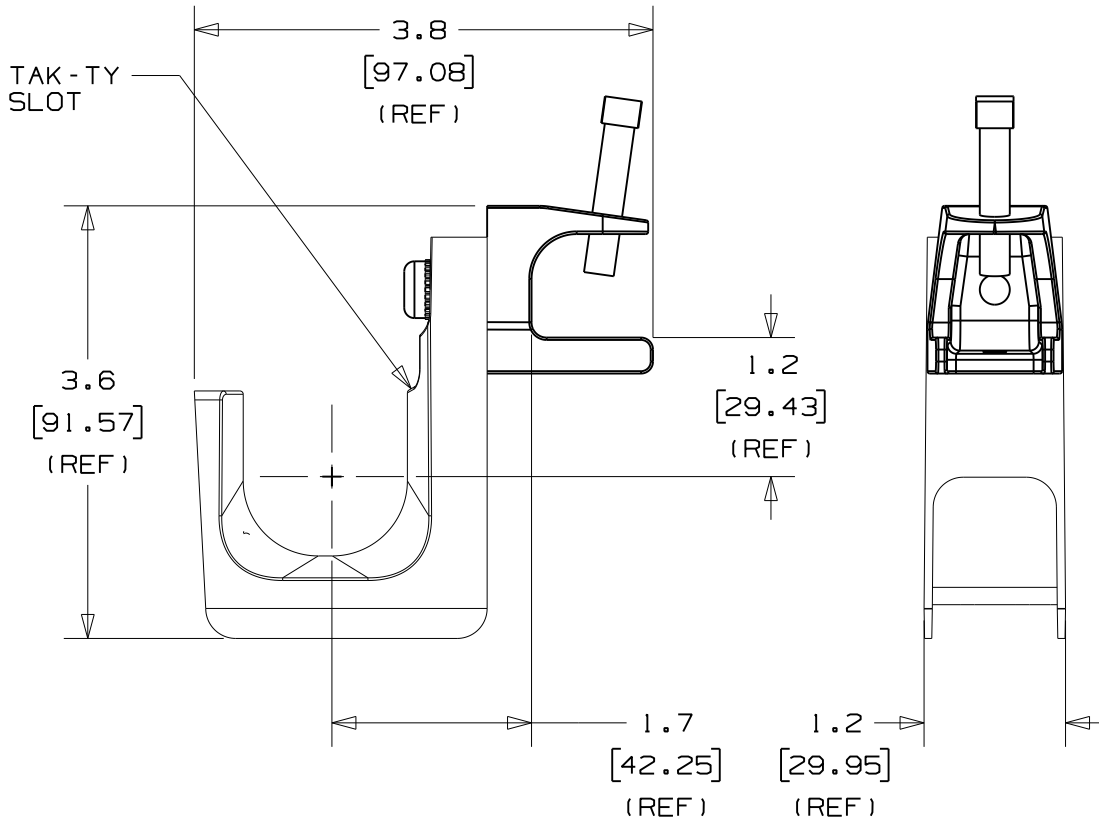
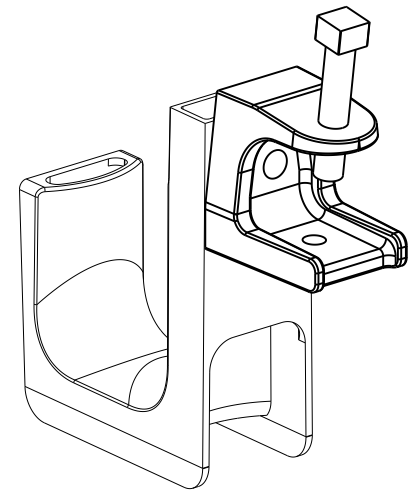


THIS COPY IS PROVIDED ON A RESTRICTED BASIS AND IS NOT TO BE USED IN ANY WAY DETRIMENTAL TO THE INTERESTS OF PANDUIT CORP.



PANDUIT PART NO.	FLANGE THICKNESS	WEIGHT	
		lbs	10 g
JP131SBC87- ---	UP TO 3/4" (19.0mm) THICK	2.89	(1310.9)



**NOTES:**

- SEE CURRENT PRICE SHEET FOR PART NUMBER SUFFIX DESIGNATION FOR PACKAGE SIZE AND PRODUCT COLOR.
- HOOK MATERIAL: NYLON 6/6  
CLAMP MATERIAL: MALLEABLE IRON  
LOCK WASHER: ZINC PLATED STEEL  
BOLT: ZINC PLATED STEEL
- PRODUCT IS DESIGNED TO SUPPORT A MAXIMUM OF 1 5/16" (33.34) DIAMETER BUNDLE. MAXIMUM RECOMMENDED STATIC LOAD: 25 lbs.
- PRODUCT INCORPORATES FEATURES ALLOWING USER TO RETAIN CABLE BUNDLES IN J-PRO J-HOOK WITH TAK-TY CABLE TIES UP TO 3/4" WIDE.
- PRODUCT MARKINGS:  
cULus logo and statement:  
"SUITABLE FOR USE IN AIR HANDLING SPACES IN ACCORDANCE WITH SECTION 300-22 (C) & (D) OF THE NATIONAL ELECTRIC CODE."  
ULC logo and statement:  
"IN ACCORDANCE WITH CAN/ULC S-102.2 IN SINGLE UNITS OR PAIRS, 4 ft (1220mm) MIN. SPACING, FSR=0, SDC=20."

DIMENSIONS IN BRACKETS ARE METRIC [ mm ]

CAD FILENAME/LAYERS 10K016DJ\_DC\_GB3043CN/01A

**PANDUIT** CORP. TINLEY PARK, ILLINOIS

J-PRO J-HOOK  
SCREW ON BEAM CLAMP  
(JP131SBC87- ---)

UNLESS OTHERWISE SPECIFIED, DIMENSIONAL TOLERANCES ARE: (.X) ±0.05 (1.3) (.XXX) ±0.010 (0.25) (.XX) ±0.02 (0.5) ANGLES ± 5°	UNLESS OTHERWISE SPECIFIED, ALL DIMENSIONS ARE GIVEN IN INCHES, THIRD ANGLE PROJECTION.
---	---

REV	DATE	BY	CHK	DESCRIPTION	ECN	R	CUST	SUP	OC
O1A	09/07/10	GDH	DJW	UPDATED BEAM CLAMP TO NEW VERSION, UPDATED DRAWING TO TEAMCENTER FORMAT	GB3043CN	O1A	KLN		
1	2/20/06	JAD		FLANGE THICKNESS WAS 7/8"	GB3043CN	1			

DRAWN BY JAD	MAT'L:	SCALE NONE
DATE 1/19/06	SEE NOTE 2	DRAWING NO. GB3043CN
CHK'D KLN		DWG SIZE A