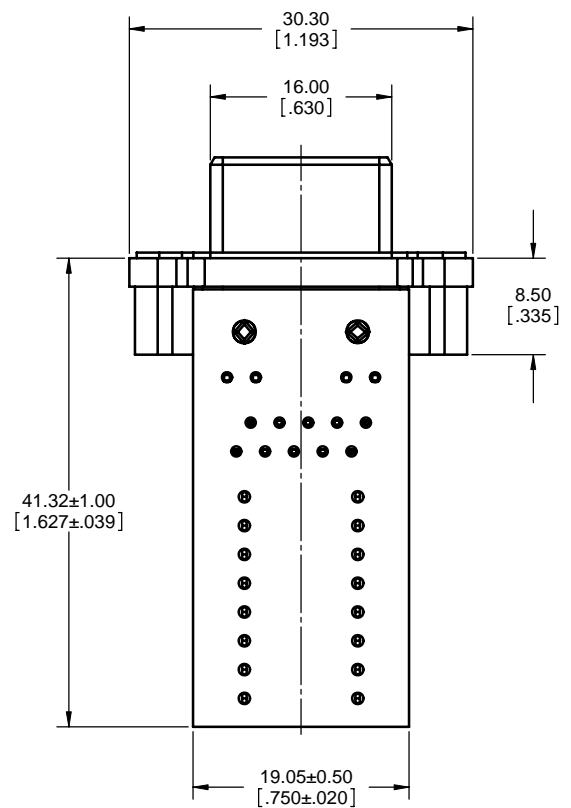
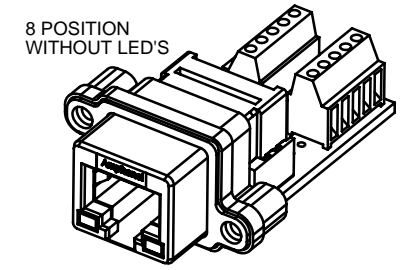
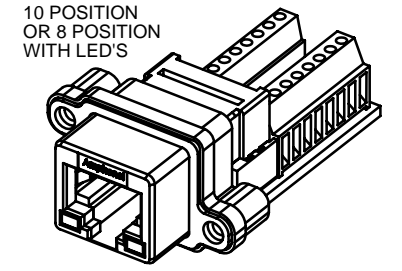
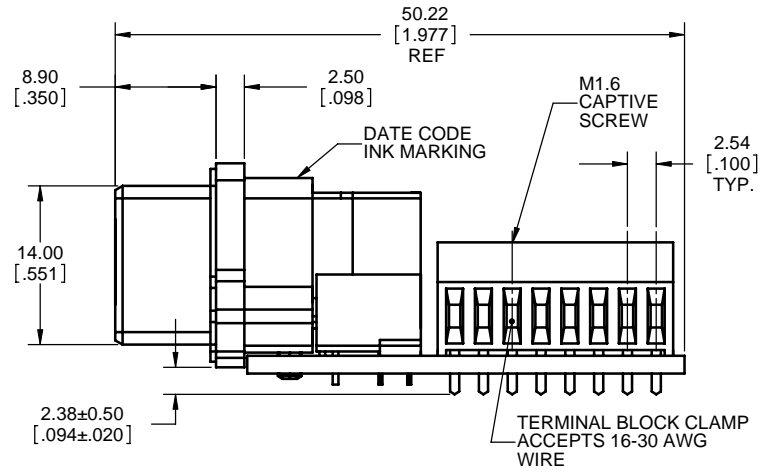
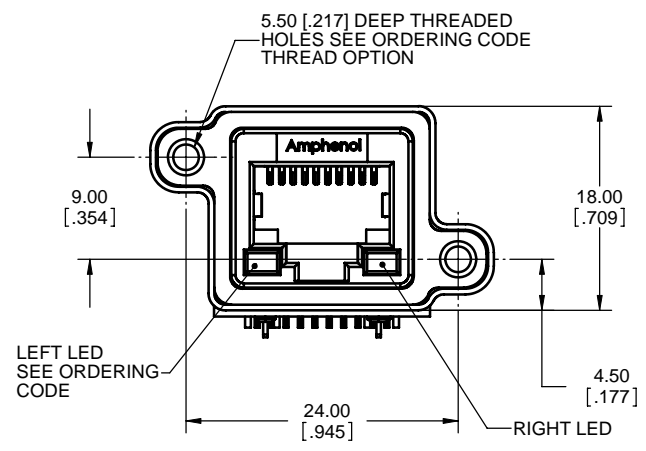


REVISIONS			
REV	ECN, ERN NO.	DATE	APPRD.
A	PRODUCT DWG (EAR 13226)	FEB21/08	K.L.



ORDERING CODE: **M R J - 5 9 X X - X 1**

SERIES, RUGGED RJ

RECEPTACLE, RIGHT ANGLE, ON PCB WITH TERMINAL BLOCKS

NUMBER OF CONTACTS  
 8= 8 CONTACTS  
 A=10 CONTACTS

LED OPTION  
 0=NONE  
 1=GREEN LEFT, YELLOW RIGHT  
 4=YELLOW LEFT, GREEN RIGHT  
 5=GREEN LEFT, GREEN RIGHT

MOUNTING HOLE THREAD OPTION  
 0= #4-40 UNC THREAD  
 M= M3 x 0.5 THREAD

SINGLE PORT

**NOTES:**

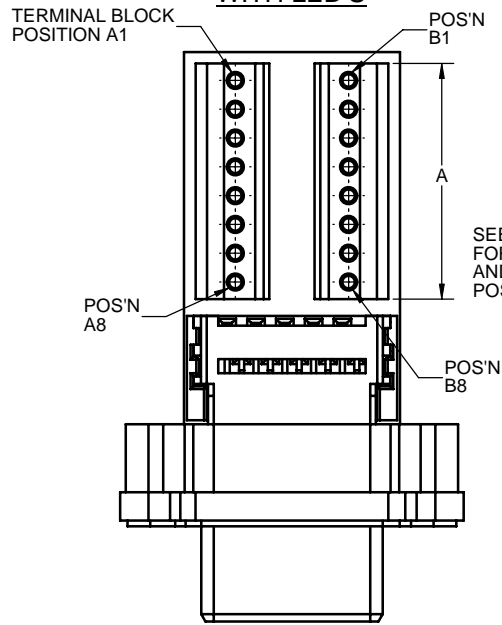
- MATERIAL:**  
 ALL MATERIALS ARE RoHS COMPLIANT PER EU DIRECTIVE 2002/95/EC AND AMENDMENTS
  - SHELL - DIECAST ZINC, NICKEL PLATED
  - CONTACTS - PHOSPHOR BRONZE WITH 50 MICROINCHES (1.27 MICRONS) GOLD OVER 50 MICROINCHES (1.27 MICRONS) MINIMUM NICKEL ON THE MATING AREA AND MATTE TIN OVER NICKEL ON THE CONTACT TAILS.
  - INSERTS - ENGINEERING THERMOPLASTIC, UL FLAMMABILITY RATING 94V-0, REAR INSERTS: BLACK, FRONT INSERT: CLEAR
  - LED'S - EPOXY LENS, STEEL TAILS WITH TIN PLATING
  - GASKET - SILICONE RUBBER
  - PCB - FR-4 FIBERGLASS, LEAD FREE
  - TERMINAL BLOCKS - ENGINEERING THERMOPLASTIC HOUSING (UL94V-0, GREEN) WITH COPPER ALLOY, NICKEL PLATED CLAMPS & SCREWS AND COPPER ALLOY, TIN PLATED TERMINALS.
- ENVIRONMENTAL PERFORMANCE PER IEC 60529 CODE IP67 FOR SEAL BETWEEN MATING AREA AND PCB SIDE OF CONNECTOR. GASKET PROVIDES FOR SEAL TO INSIDE FACE OF PANEL.
- CURRENT RATING: 1.5 AMPERES.
- CONTACT RESISTANCE: 50 MILLIOHMS.
- OPERATING TEMPERATURE: -40C TO +105C.
- AVAILABLE MATING AREA COVERS PROVIDE ADDED PROTECTION. CONSULT WITH AMPHENOL CANADA FOR DETAILS.
- RECOMMENDED TORQUE FOR PANEL MOUNT SCREWS: 0.45 TO 0.65 Nm (4.00 - 5.75 IN-LBS) FOR STEEL SCREWS WITH 3.00 (.118) THREAD ENGAGEMENT.



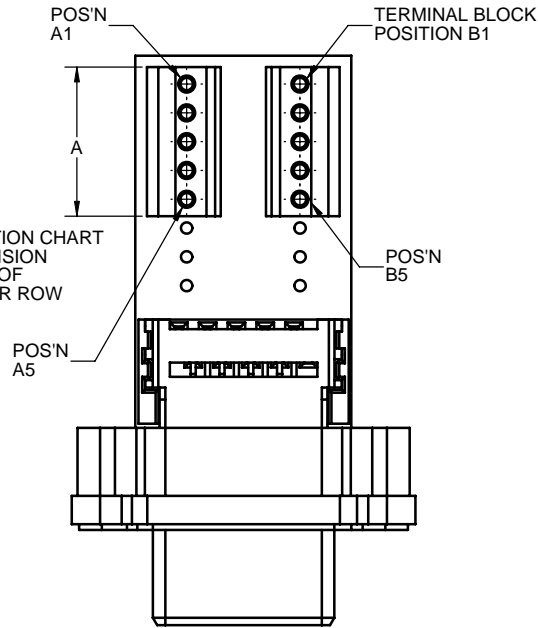
PROPRIETARY AND CONFIDENTIAL  
 THIS DOCUMENT CONTAINS PROPRIETARY INFORMATION AND SUCH INFORMATION MAY NOT BE DISCLOSED TO OTHERS FOR ANY PURPOSE OR USED FOR MANUFACTURING PURPOSES WITHOUT WRITTEN PERMISSION FROM AMPHENOL CANADA CORP.

UNLESS OTHERWISE SPECIFIED:		DRAWN: G.LI		DATE: FEB21/08		Amphenol Canada Corp.	
DIMENSIONS ARE IN MILLIMETERS		DESIGNED		CHECKED		MRJ SERIES RUGGED MODULAR JACK; 8 & 10 POSITION RIGHT ANGLE, ON PCB WITH TERMINAL BLOCKS, RoHS COMPLIANT	
DIMENSIONS ARE IN MILLIMETERS		ENG. REL. NO. EAR 13226		D.A. APPRD.		SIZE DWG. NO. REV	
DIMENSIONS ARE IN MILLIMETERS		CODE ID. NO.		SCALE: 3:1		WEIGHT: SHEET 1 OF 2	
APPLICATION		DO NOT SCALE DRAWING					

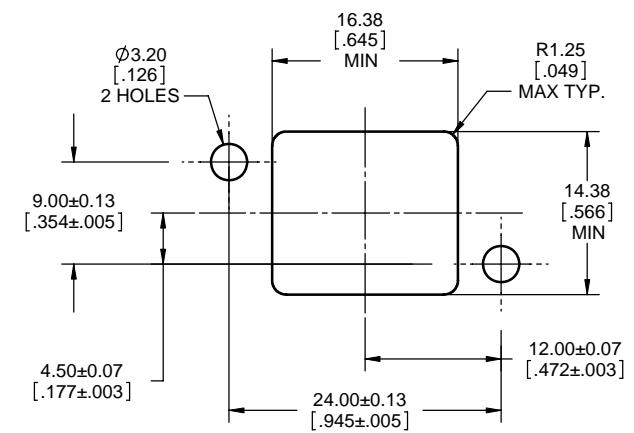
**VIEWS FOR 10 POSITION OR 8 POSITION WITH LED'S**



**VIEWS FOR 8 POSITION WITHOUT LED'S**



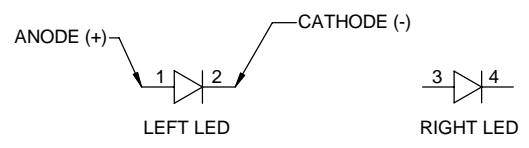
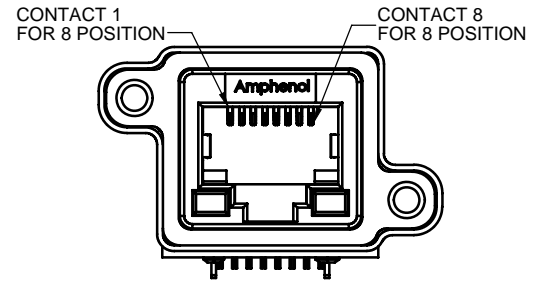
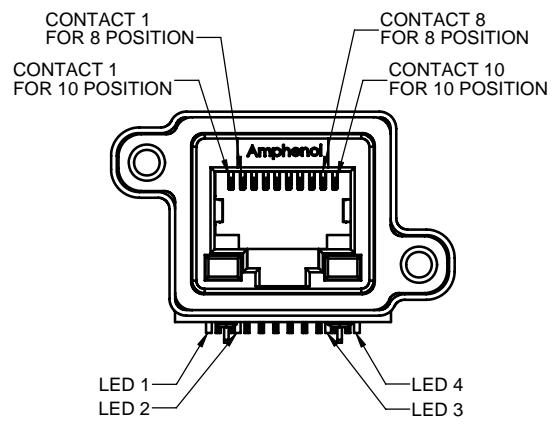
REVISIONS			
REV	ECN, ERN NO.	DATE	APPRD.
A	PRODUCT DWG (EAR 13226)	FEB21/08	K.L.



**RECOMMENDED PANEL CUTOUT**

**MRJ TO TERMINAL BLOCK CONNECTION CHART**

MRJ CONNECTOR STYLE				CONNECTED TO TERMINAL BLOCK POSITION
8 POSITION NO LED'S	8 POSITION WITH LED'S	10 POSITION NO LED'S	10 POSITION WITH LED'S	
SHELL/GROUND	SHELL/GROUND	SHELL/GROUND	SHELL/GROUND	A1 & B1
CONTACT 4	CONTACT 4	CONTACT 5	CONTACT 5	A2
CONTACT 3	CONTACT 3	CONTACT 4	CONTACT 4	A3
CONTACT 2	CONTACT 2	CONTACT 3	CONTACT 3	A4
CONTACT 1	CONTACT 1	CONTACT 2	CONTACT 2	A5
---	---	CONTACT 1	CONTACT 1	A6
---	LED 1	---	LED 1	A7
---	LED 2	---	LED 2	A8
CONTACT 5	CONTACT 5	CONTACT 6	CONTACT 6	B2
CONTACT 6	CONTACT 6	CONTACT 7	CONTACT 7	B3
CONTACT 7	CONTACT 7	CONTACT 8	CONTACT 8	B4
CONTACT 8	CONTACT 8	CONTACT 9	CONTACT 9	B5
---	---	CONTACT 10	CONTACT 10	B6
---	LED 4	---	LED 4	B7
---	LED 3	---	LED 3	B8
5	8	8	8	POSITIONS / ROW
13.16 [.518]	20.78 [.818]	20.78 [.818]	20.78 [.818]	"A" DIMENSION



**LED POLARITY**



PROPRIETARY AND CONFIDENTIAL  
THIS DOCUMENT CONTAINS PROPRIETARY INFORMATION AND SUCH INFORMATION MAY NOT BE DISCLOSED TO OTHERS FOR ANY PURPOSE OR USED FOR MANUFACTURING PURPOSES WITHOUT WRITTEN PERMISSION FROM AMPHENOL CANADA CORP.

UNLESS OTHERWISE SPECIFIED:		DATE	Amphenol Canada Corp.
DIMENSIONS ARE IN MILLIMETERS		FEB21/08	
TOLERANCES:	DRAWN: G.LI	DESIGNED:	MRJ SERIES RUGGED MODULAR JACK, 8 & 10 POSITION RIGHT ANGLE, ON PCB WITH TERMINAL BLOCKS, ROHS COMPLIANT
FRACTIONAL: ±	CHECKED:		
ANGULAR: MATCH & BEND: ±	I.E. APPRD:		
TWO PLACE DECIMAL: ±	D.A. APPRD:		
THREE PLACE DECIMAL: ±	DWG. APPRD: K.LAMBIE	FEB21/08	SIZE DWG. NO.
INTERPRET GEOMETRIC TOLERANCING PER:	ENG. REL. NO. EAR 13226	REF:	C P-MRJ-59XX-X1
MATERIAL:	FINISH:	DIMENSIONS ARE IN MILLIMETERS	REV
APPLICATION	DO NOT SCALE DRAWING	CODE ID. NO.	A
SCALE: 4:1		WEIGHT:	SHEET 2 OF 2