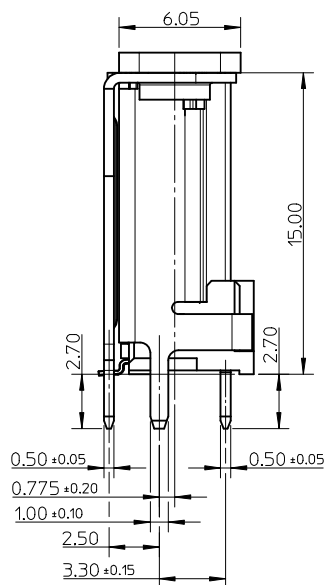
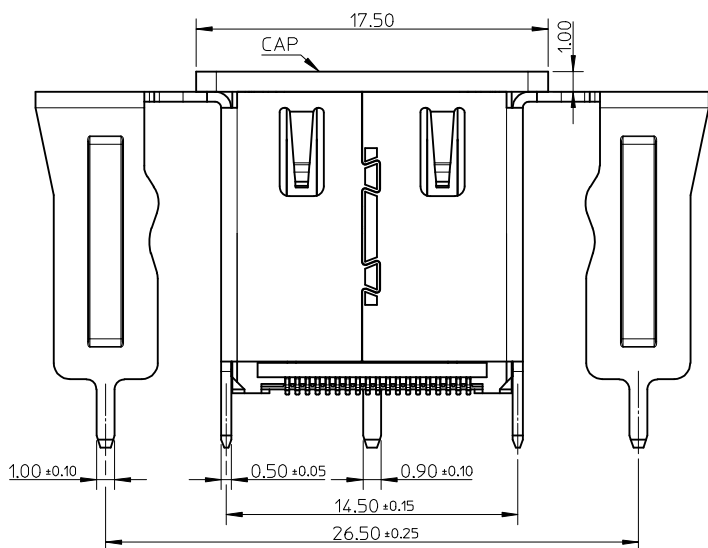
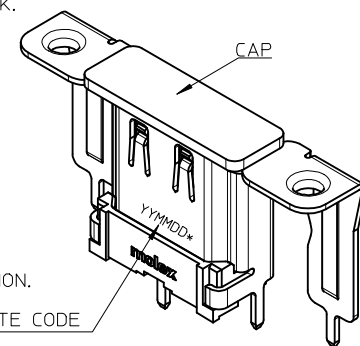
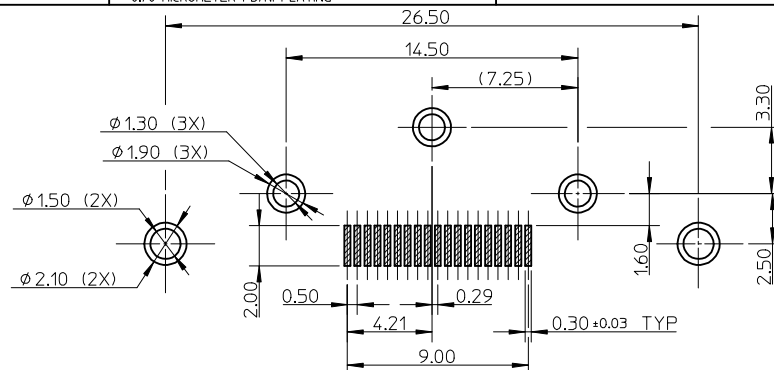


NOTES:

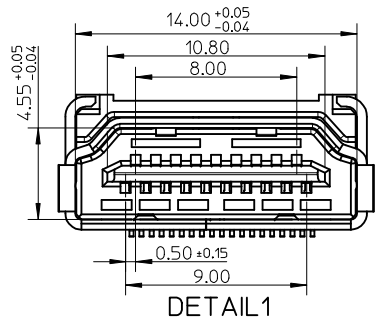
- MATERIAL:
HOUSING/CAP: HIGH TEMPERATURE THERMAL PLASTIC. COLOR: BLACK.
SHELL: COPPER ALLOY.
TERMINAL: COPPER ALLOY.
 - PLATING:
TERMINAL:
CONTACT AREA: SEE TABLE.
SOLDER AREA: 1 MICROMETER MIN. TIN-BISMUTH ALLOY PLATED.
UNDER PLATE: 1 MICROMETER MIN. NICKEL.
SHELL: 1.27 MICROMETER MIN. SOLDERABLE NICKEL PLATE OVERALL.
 - COPLANARITY: 0.10mm MAX.
 - PRODUCT SPECIFICATION REFER TO PS-47152-001; TBA FOR PD/NI OPTION.
 - PACKAGE SPECIFICATION: SEE TABLE.
- △ DATE CODE: YY: YEAR, MM: MONTH, DD: DAY;
*: MANUFACTURE FACTORY, C=CHENGDU, D=DONGGUAN.
7. PRODUCT COMPLIANT TO RoHS DIRECTIVE 2002/95/EC AND ELV DIRECTIVE 2000/53/EC.



P/N	CONTACT AREA PLATING	PACKAGE
47631-2000	0.38 MICROMETER MIN. GOLD PLATING	TAPE REEL, PK-47631-001
47631-3000	GOLD FLASH	
47631-1000	0.76 MICROMETER MIN. GOLD PLATING	TRAY, PK-47631-002
47631-2001	0.38 MICROMETER MIN. GOLD PLATING	
47631-3001	GOLD FLASH	
47631-4000	0.05 MICROMETER MIN. GOLD PLATING OVER 0.70 MICROMETER PD/NI PLATING	



RECOMMENDED PCB LAYOUT (CONNECTOR SIDE)
GENERAL TOLERANCE: ±0.05, THICKNESS=1.6MM



REV	DESCRIPTION	QUALITY SYMBOLS	GENERAL TOLERANCES (UNLESS SPECIFIED)		DIMENSION STYLE		SCALE	DESIGN UNITS	THIRD ANGLE PROJECTION	
			mm	INCH	MM ONLY	DATE	TITLE	MOLEX	MOLEX INCORPORATED	SHEET NO.
1	ADD NEW P/N EC NO: S2012-0578 DRWN: JZENG 2012/01/31 CHKD: JESSIE CHUA 2012/03/15 APPR: NAGESHKN 2012/03/19	▽ _A =0 ▽ _B =0 ▽ _C =0	4 PLACES ± --- ± ---	3 PLACES ± --- ± ---	2 PLACES ± 0.20 ± ---	1 PLACE ± 0.30 ± ---	4:1	METRIC	HDMI RECEPTACLE VERTICAL SMT TYPE	
			ANGULAR ± 1°		DRAWN BY: CHEN BO CHECKED BY: JOHNSON APPROVED BY: XJSONG		DATE: 2007/11/06 DATE: 2007/11/06 DATE: 2010/01/26	MOLEX INCORPORATED		1 OF 1
			DRAFT WHERE APPLICABLE MUST REMAIN WITHIN DIMENSIONS		MATERIAL NO. SEE TABLE		DOCUMENT NO.	SD-47631-100		
					SIZE: A3		THIS DRAWING CONTAINS INFORMATION THAT IS PROPRIETARY TO MOLEX INCORPORATED AND SHOULD NOT BE USED WITHOUT WRITTEN PERMISSION			