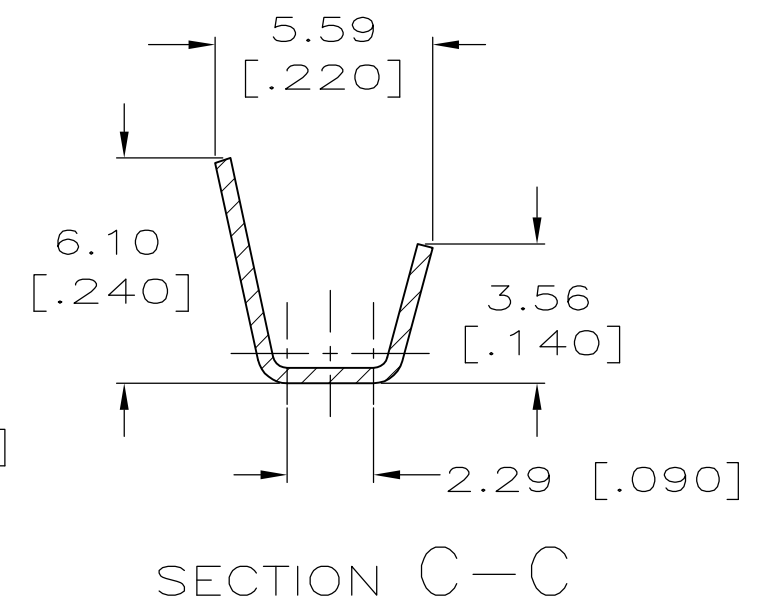
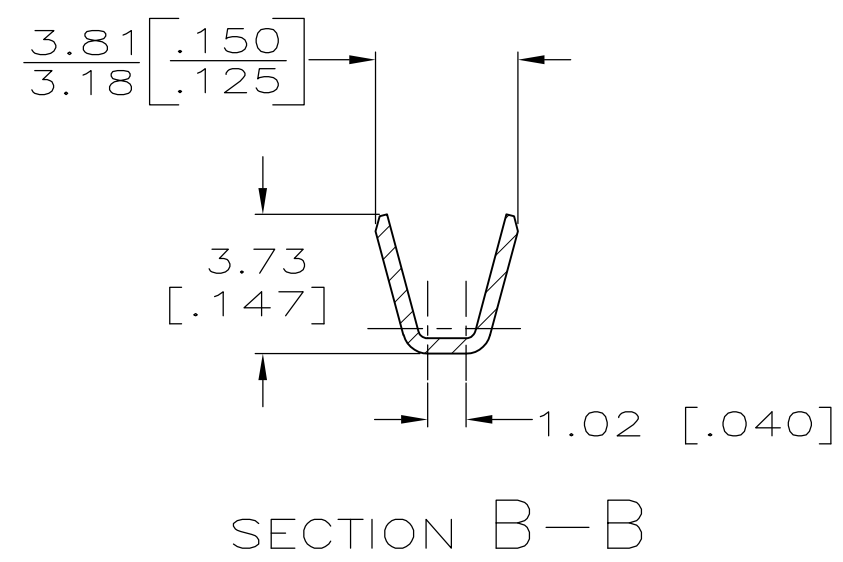
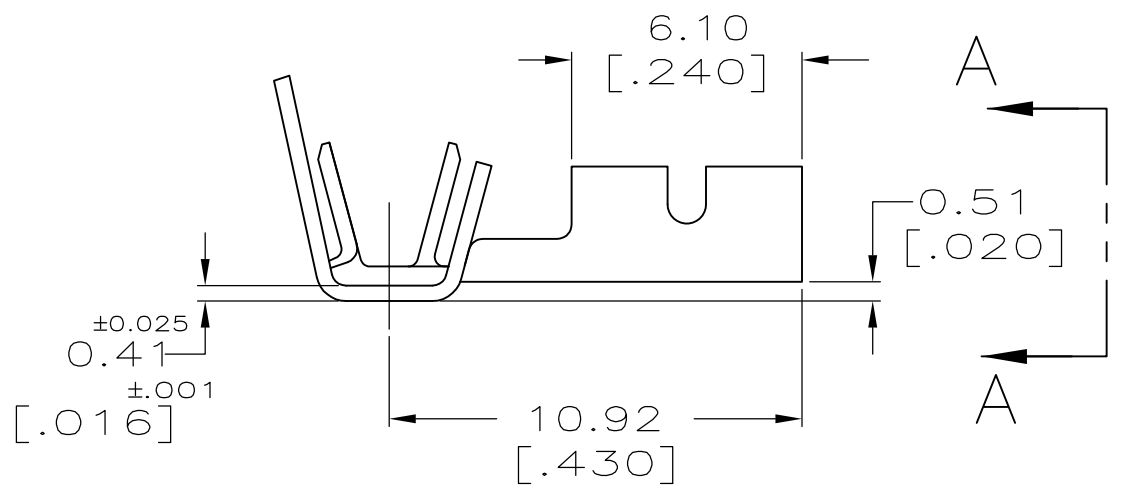
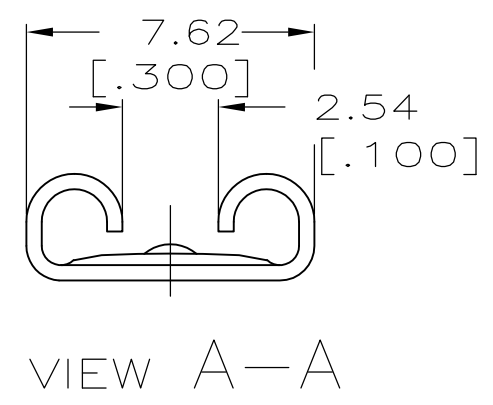
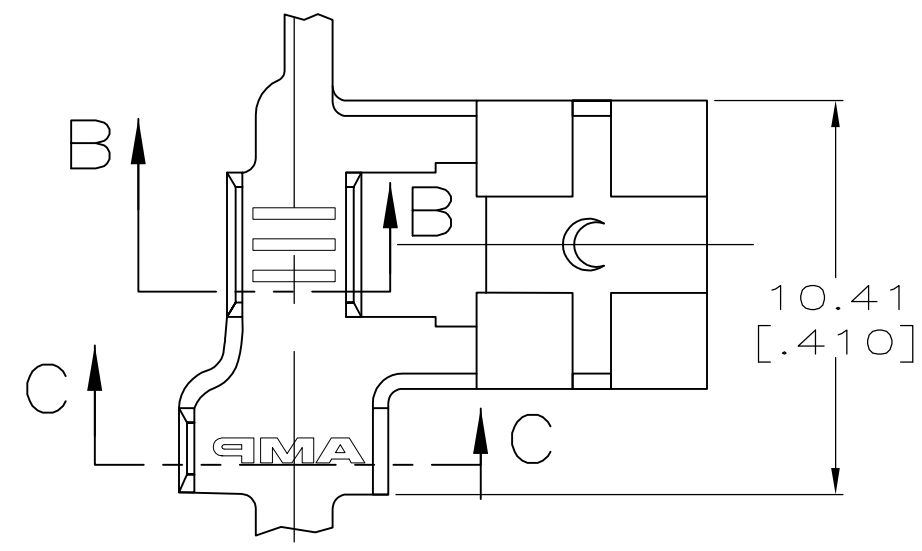


THIS DRAWING IS UNPUBLISHED. RELEASED FOR PUBLICATION
 © COPYRIGHT - By - ALL RIGHTS RESERVED.

LOC	DIST	REVISIONS			
P	LTR	DESCRIPTION	DATE	DWN	APVD
AF	50	E	REVISED PER ECR-12-013518	24NOV12	KH PD

- CONTINUOUS STRIP ON REELS.
- WIRE SIZE IS [#18-#14] AWG.
- INSULATION RANGE TO BE 2.79-4.02 [.110-.160] DIA.
- MATING TAB THK IS 0.813±0.025 [.032±.001].



-	63901-2
TIN	63901-1
FINISH	PART NO.

THIS DRAWING IS A CONTROLLED DOCUMENT.		DWN	JR RUTH	5/2/96	TE Connectivity NAME RECEPTACLE, FASTON, FLAG, LIF, 6.35 [.250] SERIES
DIMENSIONS: mm [INCHES]		CHK	MS FEHER	5/2/96	
TOLERANCES UNLESS OTHERWISE SPECIFIED:		APVD	P DESANTIS	5/2/96	
0 PLC ± - 1 PLC ± - 2 PLC ± - 3 PLC ± 0.25 [.010] 4 PLC ± - ANGLES ± -		PRODUCT SPEC	-	-	
MATERIAL	BRASS	FINISH	SEE TABLE	APPLICATION SPEC	-
		WEIGHT	-	SIZE	A3
		CUSTOMER DRAWING		CAGE CODE	00779
				DRAWING NO	C-63901
				RESTRICTED TO	-
		SCALE	5:1	SHEET	1 OF 1
				REV	E