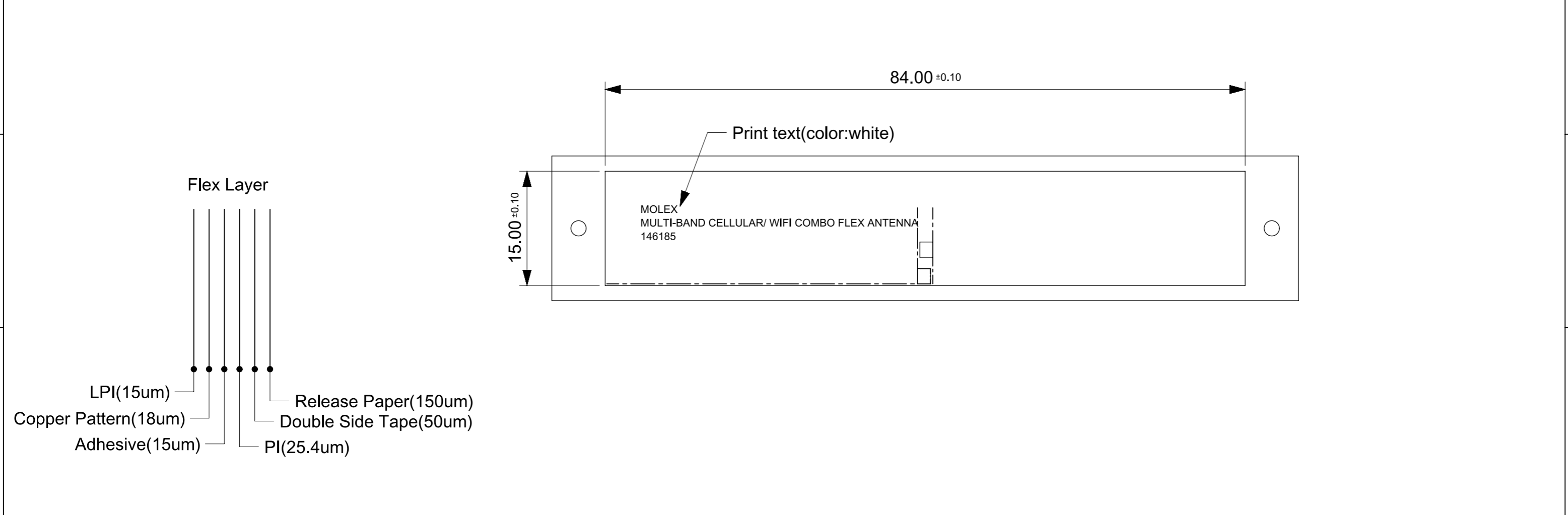


MOLEX				CUSTOMER				DRAWING LOCATION	CHANGE DESCRIPTION				AFFECTED DEPT
DRAWING NO.	REV	ECN NO.	DATA	P/N	P/N	3D REV	2D REV	ALL	NEW RELEASE				AQP/ME/RF/PE/POP
SD-146185-050	A	ABU2016-0023	2016/01/26	1461850XX0	-	-	-						



**NOTE:**

- Ni Finish, Selective Gold Pads:  
Ni: 1-6 um, Au: min. 0.025 um thickness
- LPI color: Black
- For the general tolerance, please refer to the General Tolerance Table A.
- For the nominal, unless defined in the drawing, please refer to the Gerber file or 3D document
- For the flex stack up tolerance, please refer to the stackup table for nominal

Flex Stack-up Thickness	
	Nom. Thickness (um)
LPI Soldermask	15
Finished Cu	18
Adhesiveless Flex Substrate	15
PI	25.4
3M9077	50
<b>Total</b>	<b>123.4 +/-30</b>

ITEM	MATERIAL NUMBER	CABLE LENGTH"L"
1	1461850050	Flex +50mm Cable
2	1461850100	Flex +100mm Cable
3	1461850150	Flex +150mm Cable
4	1461850200	Flex +200mm Cable
5	1461850250	Flex +250mm Cable
6	1461850300	Flex +300mm Cable

GENERAL TOLERANCE TABEL A	
Tolerance Description	Tolerance(mm)
Copper edge to Copper edge	+/-0.05
Copper edge to Polymer edge	+/-0.15
Die cut outline	+/-0.1
Die Cut Hole diameter	+/-0.1
Die cut hole to Die cut outline	+/-0.15
Die cut outline to solder mask opening edge	+/-0.25
Solder mask opening	+/-0.1

QUALITY SYMBOLS	THIS DRAWING CONTAINS INFORMATION THAT IS PROPRIETARY TO MOLEX ELECTRONIC TECHNOLOGIES, LLC AND SHOULD NOT BE USED WITHOUT WRITTEN PERMISSION																					
▽A = 0	EC DESCRIPTION 2016/02/04 2016/02/04 2016/02/04 EC NO: ABU2016-0023 DRWN: Tao Zhou CHK'D: Cooper Zhou APPR: Chris Yu	GENERAL TOLERANCES (UNLESS SPECIFIED)		DIMENSION UNITS	SCALE																	
▽E = 0		ANGULAR TOL ± 0.5 °		mm	2:1																	
▽F = 0		4 PLACES ± 0.0000	DRWN BY	DATE	Tao Zhou 2016/01/26																	
▽ = 0		3 PLACES ± 0.0000	CHK'D BY	DATE	Cooper Zhou 2016/01/26																	
▽C = 0		2 PLACES ± 0.000	APPR BY	DATE	Chris Yu 2016/01/26																	
▽ = 0		1 PLACE ± 0.00	DRAWING SIZE	THIRD ANGLE PROJECTION	A3																	
▽ = 0		0 PLACES ± 0.00	DRAFT WHERE APPLICABLE MUST REMAIN WITHIN DIMENSIONS																			
▽ = 0		<table border="1"> <tr> <th colspan="2">PRODUCT DESIGN DRAWING</th> </tr> <tr> <td>SERIES</td> <td>MATERIAL NUMBER</td> <td>CUSTOMER</td> </tr> <tr> <td>146185</td> <td>SEE TABLE</td> <td>GENERAL MARKET</td> </tr> <tr> <td>DOCUMENT NUMBER</td> <td>DOC TYPE</td> <td>DOC PART</td> <td>SHEET NUMBER</td> </tr> <tr> <td>SD-146185-050</td> <td>PDD</td> <td>000</td> <td>1 OF 2</td> </tr> </table>					PRODUCT DESIGN DRAWING		SERIES	MATERIAL NUMBER	CUSTOMER	146185	SEE TABLE	GENERAL MARKET	DOCUMENT NUMBER	DOC TYPE	DOC PART	SHEET NUMBER	SD-146185-050	PDD	000	1 OF 2
PRODUCT DESIGN DRAWING																						
SERIES		MATERIAL NUMBER	CUSTOMER																			
146185	SEE TABLE	GENERAL MARKET																				
DOCUMENT NUMBER	DOC TYPE	DOC PART	SHEET NUMBER																			
SD-146185-050	PDD	000	1 OF 2																			
▽ = 0	<table border="1"> <tr> <td>RELEASE STATUS</td> <td>RELEASE DATE</td> <td></td> <td></td> <td></td> <td></td> </tr> </table>					RELEASE STATUS	RELEASE DATE															
RELEASE STATUS	RELEASE DATE																					

9 8 7 6 5 4 3 2 1

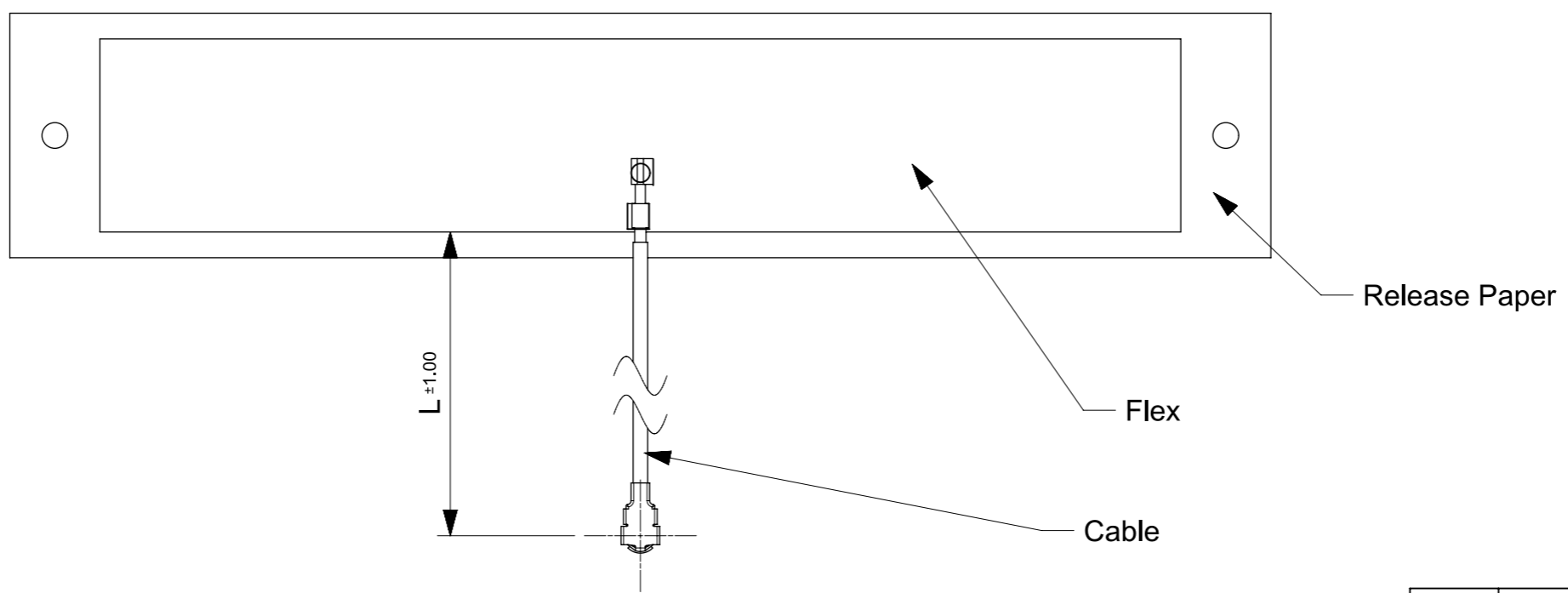
E

D

C

B

A



ITEM	CABLE TYPE	CABLE LENGTH"L"
1	CABLE 50MM	44.3MM
2	CABLE 100MM	94.3MM
3	CABLE 150MM	144.3MM
4	CABLE 200MM	194.3MM
5	CABLE 250MM	244.3MM
6	CABLE 300MM	294.3MM

**NOTE:**  
 1.The dimension with tolerance in box should be controlled by flex supplier and tolerance of other dimension +/-0.2mm  
 2. For pull test, can not lift up in the vertical direction  
 3.After RF test, please use the cap to protect connector,  
 4.For flex application spec,please refer to AS-146185-100  
 5.For flex product spec,please refer to PS-146185-100

THIS DRAWING CONTAINS INFORMATION THAT IS PROPRIETARY TO MOLEX ELECTRONIC TECHNOLOGIES, LLC AND SHOULD NOT BE USED WITHOUT WRITTEN PERMISSION														
<b>QUALITY SYMBOLS</b> ▽A = 0 ▽E = 0 ▽F = 0 ▼ = 0 ▽C = 0 ⊗ = 0 ■ = 0 ▽ = 0		<b>EC DESCRIPTION</b> EC NO: ABU2016-0023 DRWN: Tao Zhou CHK'D: Cooper Zhou APPR: Chris Yu			<b>GENERAL TOLERANCES (UNLESS SPECIFIED)</b> ANGULAR TOL ± 0.5 ° 4 PLACES ± 0.0000 3 PLACES ± 0.0000 2 PLACES ± 0.000 1 PLACE ± 0.00 0 PLACES ± 0.00 DRAFT WHERE APPLICABLE MUST REMAIN WITHIN DIMENSIONS			DIMENSION UNITS: mm SCALE: 1:1		 MULTI-BAND CELLULAR/ WIFI COMBO FLEX ANTENNA PRODUCT DESIGN DRAWING				
DRWN BY: Tao Zhou DATE: 2016/02/04		CHK'D BY: Cooper Zhou DATE: 2016/02/04		APPR BY: Chris Yu DATE: 2016/02/04		DRWN BY: Tao Zhou DATE: 2016/01/26		CHK'D BY: Cooper Zhou DATE: 2016/01/26					APPR BY: Chris Yu DATE: 2016/01/26	
DRAWING SIZE: A3		THIRD ANGLE PROJECTION		SERIES: 146185		MATERIAL NUMBER: SEE TABLE		CUSTOMER: GENERAL MARKET						
DOCUMENT NUMBER: SD-146185-050				DOC TYPE: PDD		DOC PART: 000		SHEET NUMBER: 2 OF 2						

RELEASE STATUS	RELEASE DATE
----------------	--------------

9 8 7 6 5 4 3 2 1