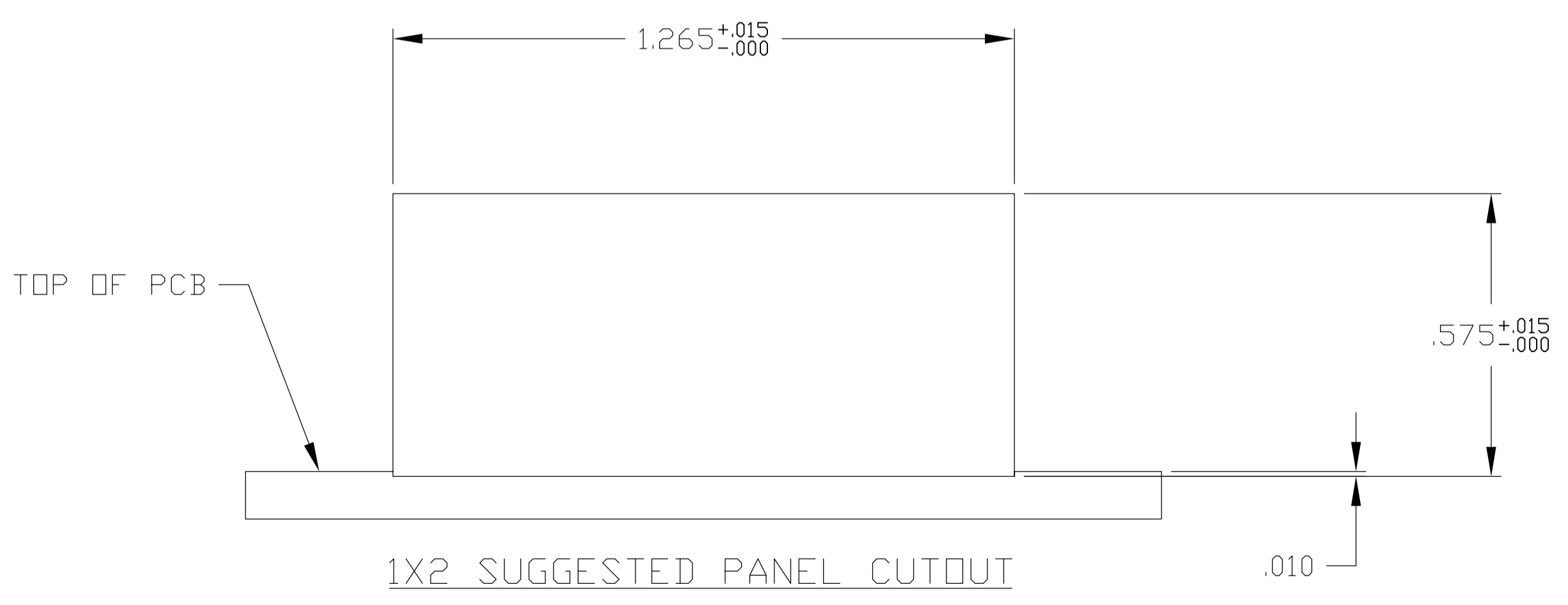
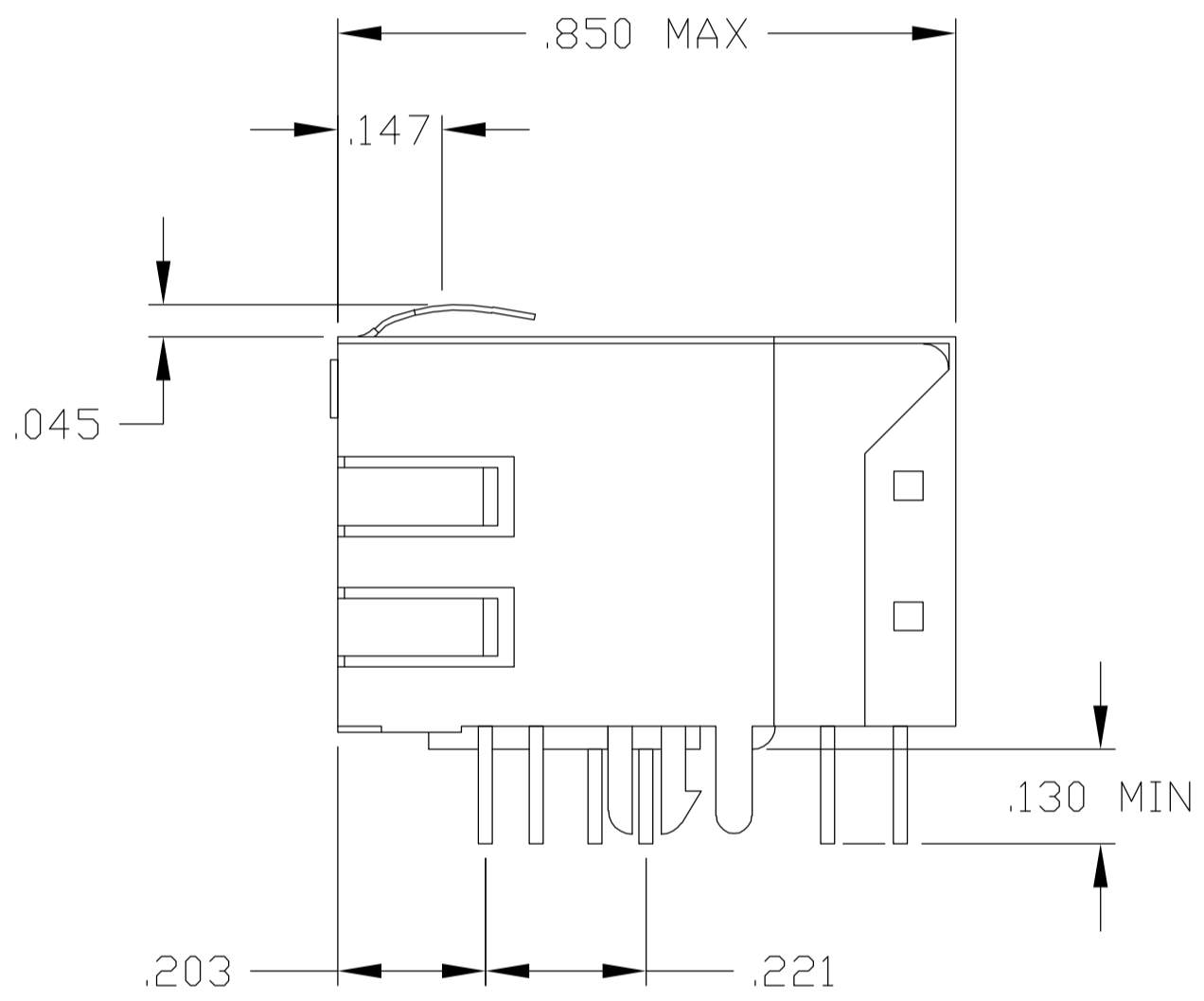
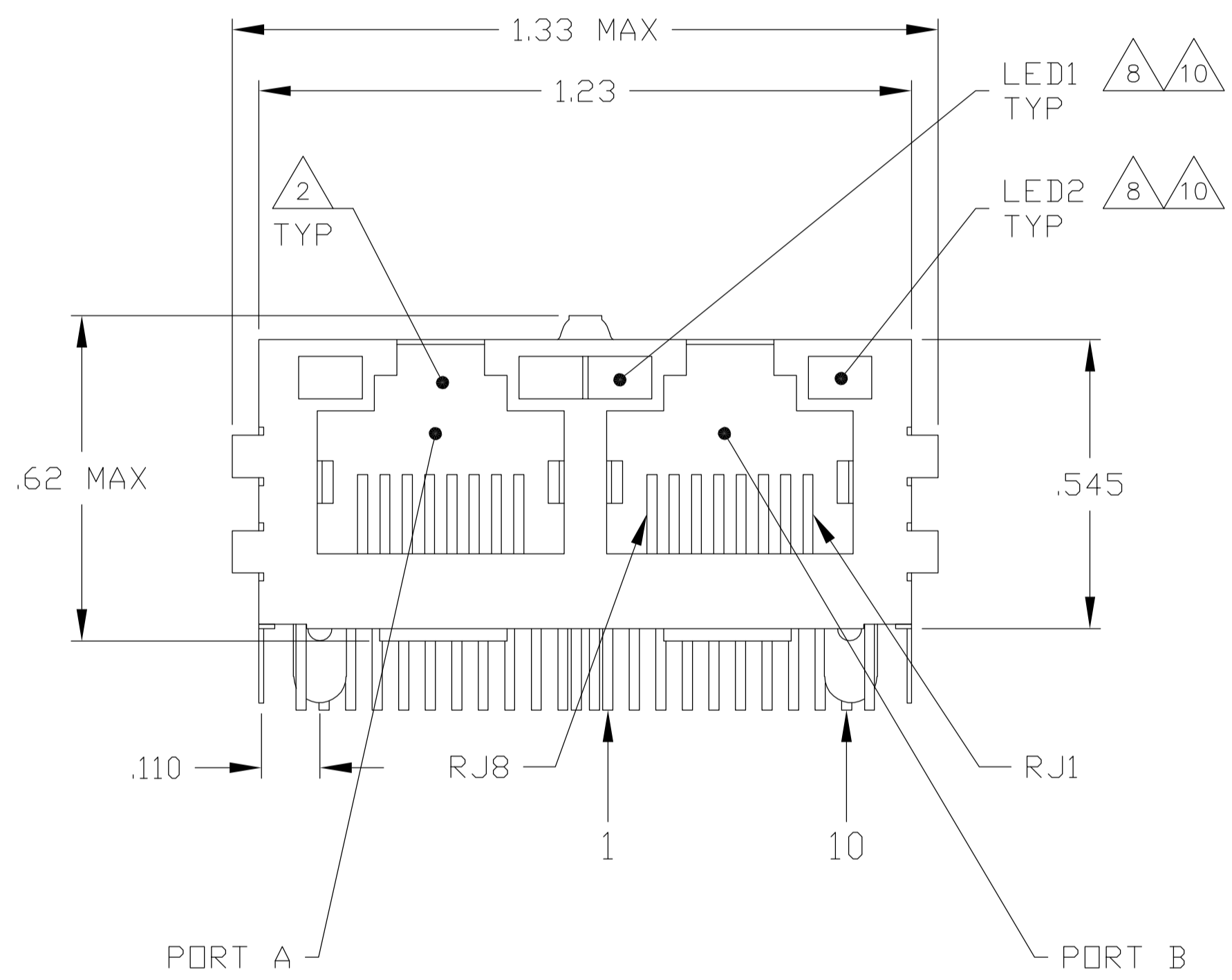
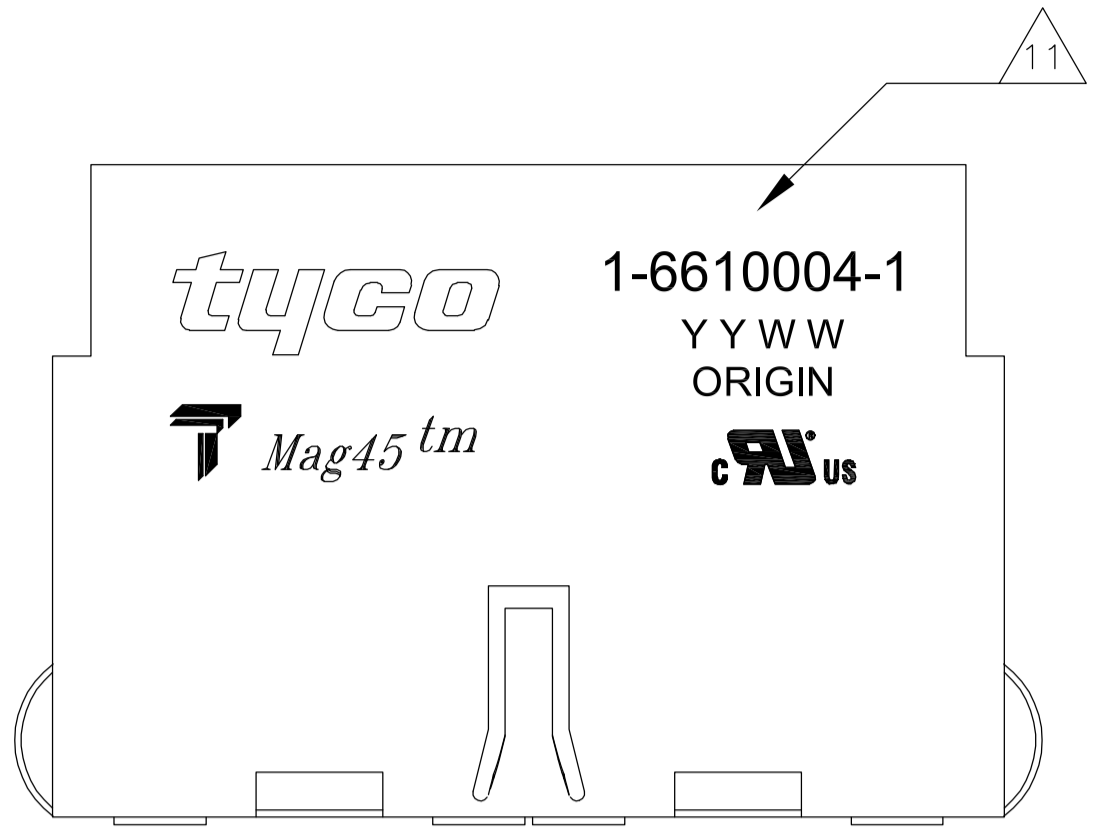


MECHANICAL:



- 1 MATERIALS:
 - HOUSING - THERMOPLASTIC PET POLYESTER FLAMMABILITY RATING UL 94V-0.
 - SHIELD - .010" THICK, C26800 BRASS PREPLATED WITH 30μINCH MIN SEMI-BRIGHT NICKEL.
 - SOLDER TABS POST DIPPED WITH 100μINCH MIN SAC SOLDER.
 - MOD JACK CONTACTS - 0.0157 X 0.018" PHOSPHOR BRONZE, 50μINCH MIN OVERALL NICKEL UNDERPLATE WITH SELECT 50μINCH MIN HARD GOLD FINISH PLATE. SOLDER TAILS WITH 100μINCH MIN MATTE TIN AND/OR SAC SOLDER DIP.
 - LIGHT EMITTING DIODE(LED) - DIFFUSED EPOXY LENS, .020" X .020" CARBON STEEL WIREFRAME LEADS PRE-PLATED WITH 80μINCH SILVER OVER 40μINCH NICKEL UNDERPLATE OVER 40μINCH COPPER UNDERPLATE. POST-PLATED WITH 100μIN MIN MATTE TIN AND/OR SAC SOLDER DIP OR PURE TIN SOLDER DIP.
- 2 RJ45 JACK CAVITY CONFORMS TO FCC RULES AND REGULATIONS PART 68, SUB PART F.
- 3 MAGNETICS
 - APPLICATION: 10/100/1000 BASE-T
 - IMPEDANCE: 100 OHMS
 - TURNS RATIO (CHIP: CABLE): 1:1 ALL FOUR PAIRS
 - OPEN CIRCUIT INDUCTANCE (OCL): 350μH MIN @100kHz, 0.1VRMS, 8mADC BIAS FROM 0°C TO 70°C, ALL FOUR PAIRS
 - ALL FOUR PAIRS BI-DIRECTIONAL
 - PERFORMANCE @ 25°C:
 - INSERTION LOSS (IL): 1.1dB MAX FROM 0.5MHz TO 100MHz
 - RETURN LOSS (RL): 18dB MIN FROM 0.5MHz TO 40MHz
 - 12-20LOG(f/80)dB MIN FROM 40.1MHz TO 100MHz
 - CROSSTALK ATTENUATION: 35dB MIN FROM 0.5MHz TO 40MHz
 - 33-20LOG(f/50)dB MIN FROM 40.1MHz TO 100MHz
 - COMMON MODE REJECTION RATIO (CMRR): 30dB MIN FROM 0.5MHz TO 100MHz
 - ISOLATION VOLTAGE: COMPLIES WITH IEEE802.3 2002, PARA 40.6.1.1, ITEM a or b.
- 4 C1 = 1000 pF, 2kV DECOUPLING CAPACITOR.
- 5 OPERATING TEMPERATURE: FROM 0°C TO +70°C.
- 6 R1-R4 = 75 OHMS, 5%, 1/16 W RESISTORS.
- 7 C2-C5 = 0.1μF, 50V CAPACITORS.
- 8 LED COMPLIANT WITH IEC60825-1 SAFETY OF LASER PRODUCTS. WHEN OPERATED UP TO 20 mA. THE 250 OHM RESISTOR IS INCLUDED.
- 9 INDICATED MAGNETIC CONNECTIONS ARE SYMMETRICAL AND SUPPORT AUTO-MDI/MDIX.
- 10 LED PEAK WAVELENGTH: GREEN(λ) = 565nm
YELLOW(λ) = 585nm
- 11 TRADEMARK, PART NUMBER, DATE CODE, COUNTRY OF ORIGIN AND AGENCY APPROVAL MARKING IN APPROXIMATE LOCATION SHOWN.

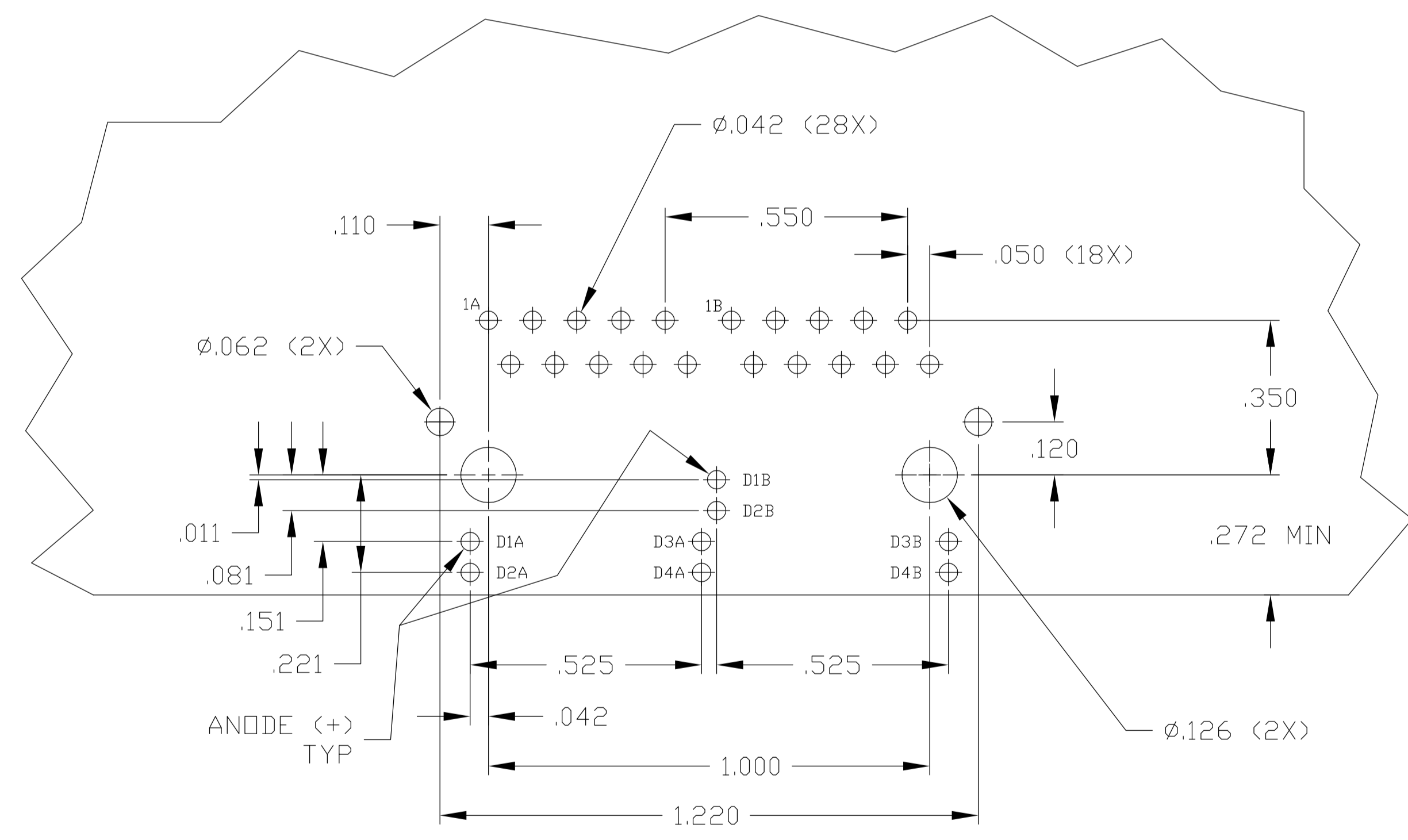
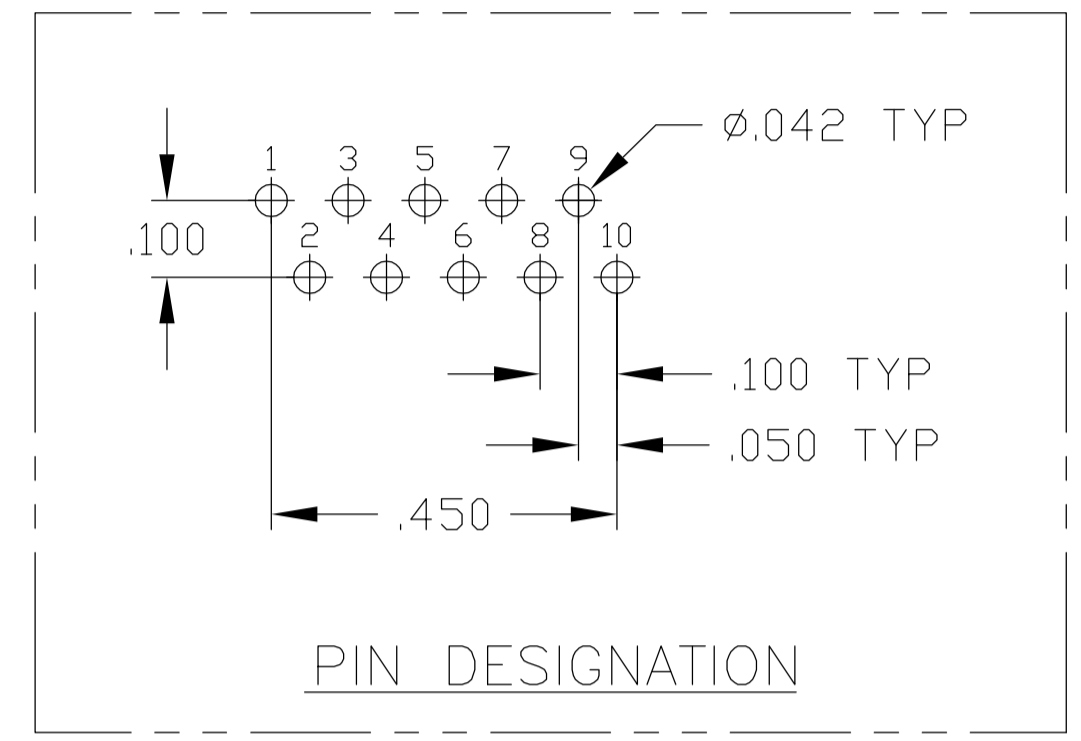
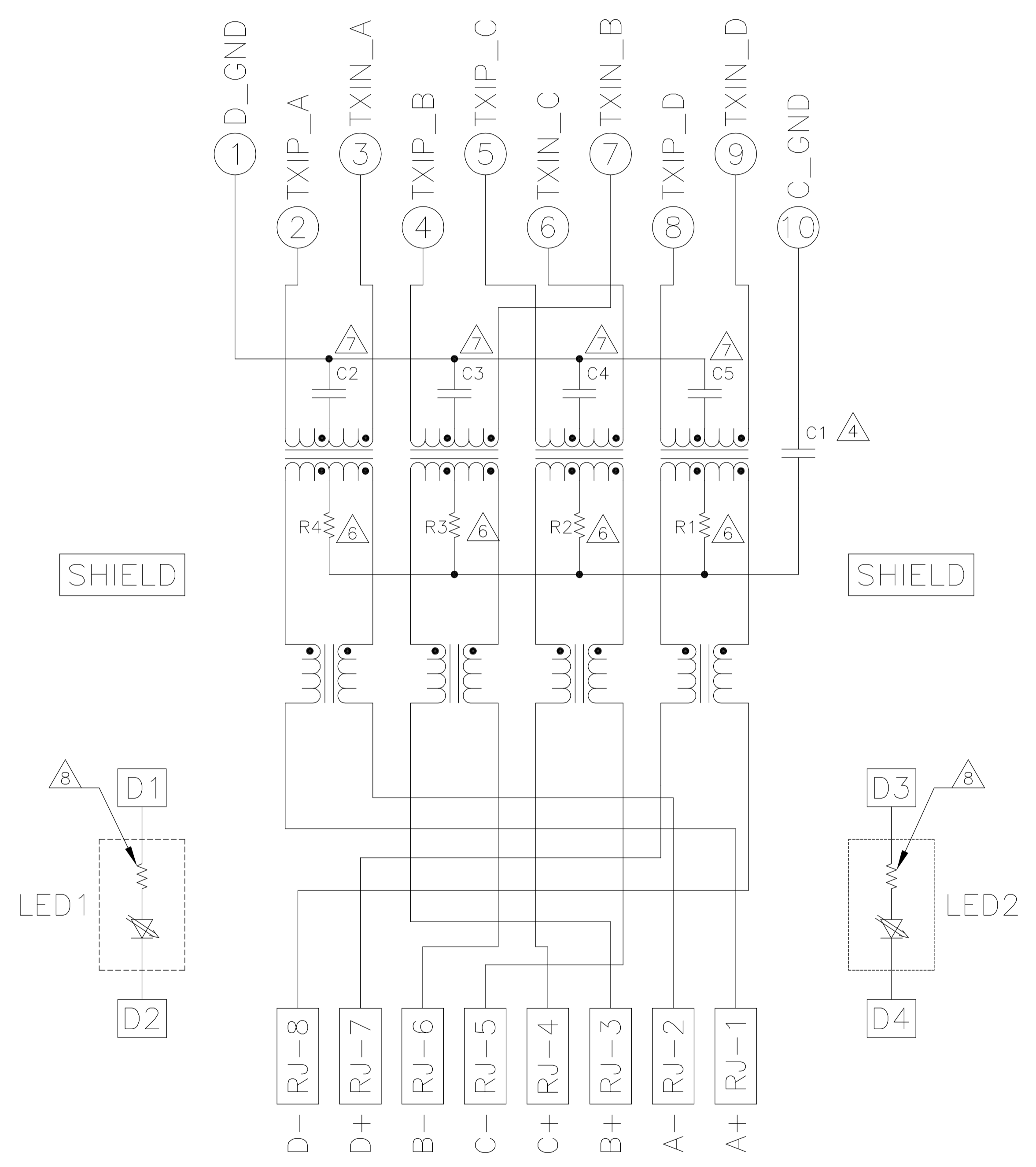
GREEN	GREEN	1-6610004-1
GREEN/YELLOW	GREEN	6610004-4
LED1	LED2	PART NUMBER

THIS DRAWING IS A CONTROLLED DOCUMENT.

DWN L. VARELA - 15MAR2005	15MAR2005		Tyco Electronics Corporation
CHK D. FAROLE - 15MAR2005	15MAR2005		Harrisburg, PA 17105-3608
APRD D. FAROLE	15MAR2005	NAME	1X2 MAG45(TM) MODULAR JACK, SHIELDED, 7G2 (10 PIN HORIZONTAL FOOTPRINT) SCHEMATIC, 108-2100
		PRODUCT SPEC	7G02 GIGABIT MAGNETIC CIRCUIT, WITH LEDS
		APPLICATION SPEC	
		SIZE	CAGE CODE DRAWING NO
		WEIGHT	A1 00779 ©=6610004
		CUSTOMER DRAWING	SCALE 4:1 SHEET 1 OF 2 REV A

ELECTRICAL:

7G02 GIGABIT MAGNETIC CIRCUIT



THIS DRAWING IS UNPUBLISHED. COPYRIGHT BY TYCO ELECTRONICS CORPORATION. ALL RIGHTS RESERVED.		RELEASED FOR PUBLICATION.		LOC AA DIST 22		REVISIONS				
						DESCRIPTION		DATE	OWN	APVD
						SEE SHEET 1		-	-	-

THIS DRAWING IS A CONTROLLED DOCUMENT.		DWN L VARELA - 15MAR2005		Tyco Electronics Corporation
		CHK D FAROLE - 15MAR2005		Harrisburg, PA 17105-3608
DIMENSIONS: INCHES		TOLERANCES UNLESS OTHERWISE SPECIFIED:		NAME
0 PLC ± -		1 PLC ± -		1X2 MAG45(TM) MODULAR JACK, SHIELDED,
1 PLC ± -		2 PLC ± .010		7G2 (10 PIN HORIZONTAL FOOTPRINT) SCHEMATIC,
2 PLC ± -		3 PLC ± .005		108-2100
3 PLC ± -		4 PLC ± -		7G02 GIGABIT MAGNETIC CIRCUIT, WITH LEDS
4 PLC ± -		ANGLES ± -		SIZE
MATERIAL		FINISH		CAGE CODE DRAWING NO
				A1 00779 ©=6610004
				WEIGHT
				CUSTOMER DRAWING
				SCALE 4:1
				SHEET 2 OF 2
				REV A