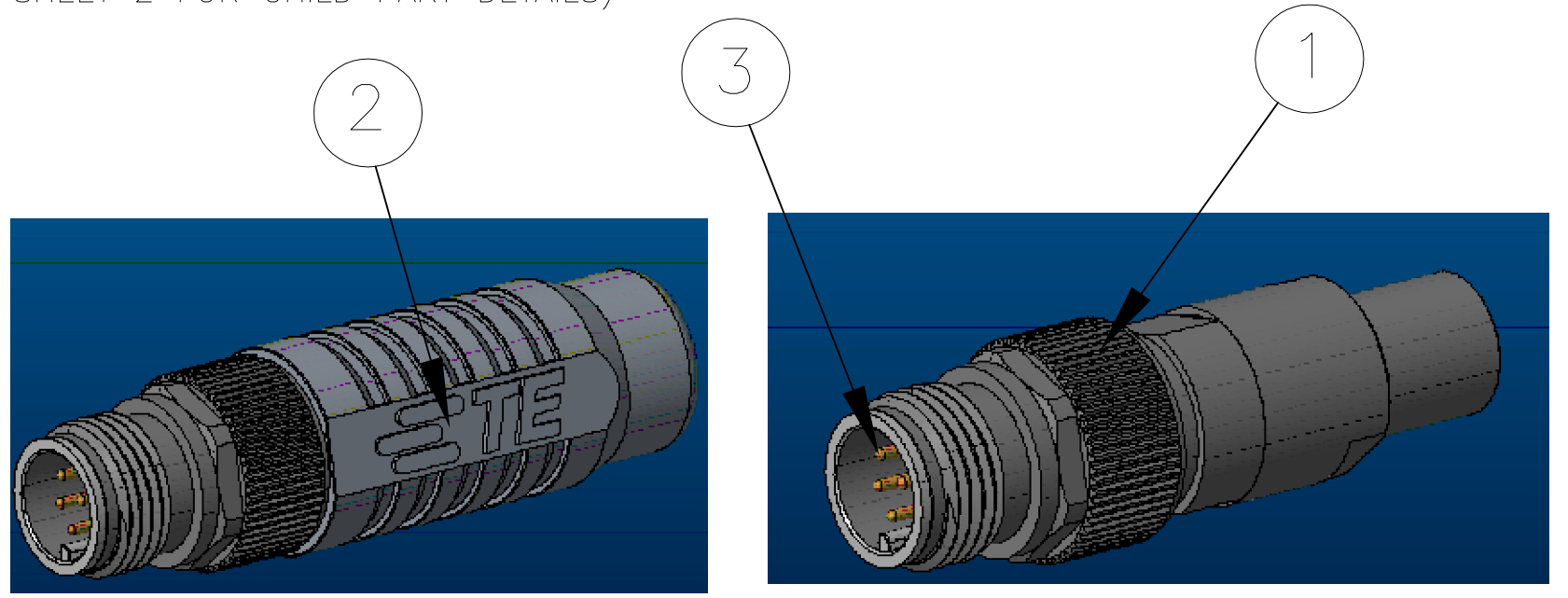
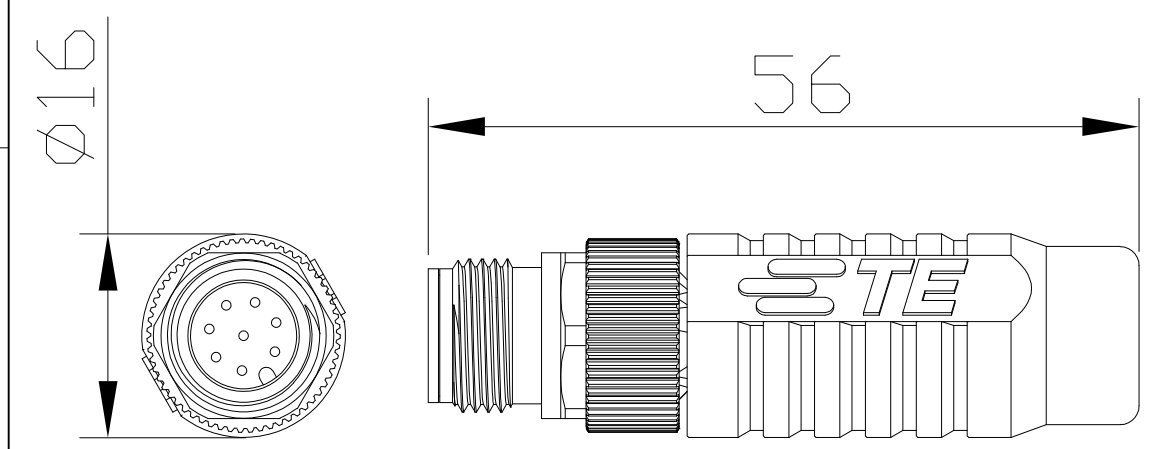


THIS DRAWING IS UNPUBLISHED. RELEASED FOR PUBLICATION NOV ,2007.
 © COPYRIGHT 2007 By - ALL RIGHTS RESERVED.

LOC	DIST	REVISIONS					
E	B	P	LTR	DESCRIPTION	DATE	DWN	APVD
		A1		ECR-16-000721	09FEB2016	GG	NG

PROJECT	PRJ-14-000004825
PART NO	X-2823447-X
HV DESC	M12, A-CODED,RAIL MALE 8 CRIMP
CUSTOMER	GENERAL MARKET

CABLE PLUG AS SHOWN
 (SEE SHEET 2 FOR CHILD PART DETAILS)



CODE	TE FG PN'S	NUMBER OF POLES IN CONNECTOR	NUMBER OF CONTACTS REQUIRED	CABLE PLUG	BULKHEAD PLUG	CABLE REFERENCE	AWG	HAND TOOL (TE PN) (COMPACT)	HAND TOOL (TE PN) (STANDARD)	RECOMMENDED POSITIONER (TE PN) (COMPACT)	RECOMMENDED POSITIONER (TE PN) (STANDARD)	RECOMMENDED POSITIONER (TE PN) (STANDARD)	CRIMP INSERT TE PN'S	CABLE JACKET STRIPPING TOOL TE PN	ASSEMBLY TOOL HANDLE FOR CRIMP FLANGE TE PN	UNIVERSAL INSERT TE PN (ALL M12 CODES)	ASSEMBLY TOOL FRONT HOUSING AND BACK NUT TE PN	CABLE COLOUR	NUMBER OF WIRES PER CABLE	CABLE MANUFACTURER	CABLE PN
A code	1-2823447-1	8	8	x		Cat 7 radox 8.2mm	AWG22			TE : 1-2823582-8, RECOMMENDED SETTINGS (+/-1): MUST BE VALIDATED ON CABLE USED(SEL No.5)	TE : 1-2823582-6, RECOMMENDED SETTINGS : MUST BE VALIDATED ON CABLE USED	1-2823557-1	1-2823558-4	1-2823559-1	1-2823560-1	1-2823561-1	1-2823564-1	BLUE	8	H & S	84124806
A code	1-2823447-2	8	8	x		Cat 7 Betatrans data C-Flex 8.8mm	AWG24						1-2823558-7					BLACK	8	Leoni	302834 - 871433
A code	1-2823447-3	8	8	x		Cat 5 Megaline 5.3mm	AWG26	TE PN : 601966-1	TE PN : 601967-1				1-2823558-1					GREY	8	Leoni	20123 3103012
A code	1-2823447-4	8	8	x		Cat 7 radox 8.2mm	AWG22						1-2823558-5					BLUE	8	H & S	84124806
A code	1-2823447-5	8	8		x	Cat 5 Megaline 5.3mm	AWG26						1-2823558-1					GREY	8	Leoni	20123 3103012
A code	1-2823447-6	8	8		x	Cat 7 radox 8.2mm	AWG22						1-2823558-6					BLUE	8	H & S	84124806

NOTES:

MATERIAL:
 ITEM NO. 1: HOUSING - BRASS, NICKEL PLATED.
 ITEM NO. 2: PLASTIC BODY - PA (UL94 V-0).
 ITEM NO. 3: CONTACT FINISH - Au (gold).
 CONTACT - CuZn (Brass).

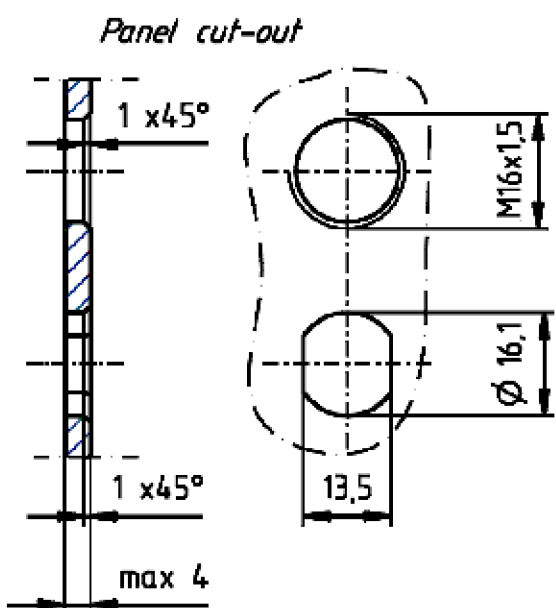
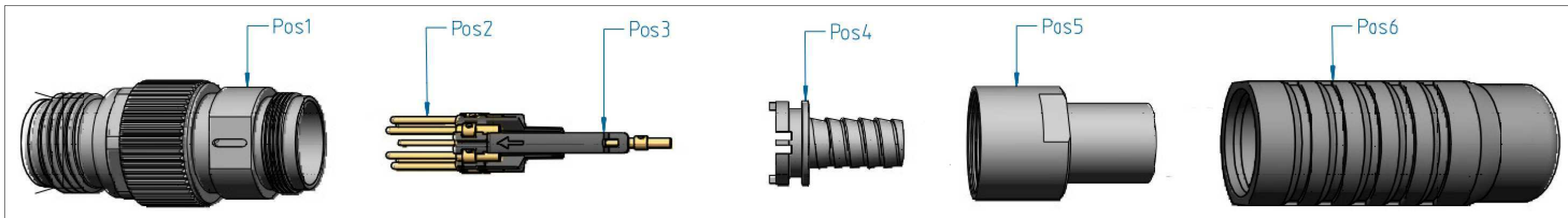
- ALL DIMENSIONS ARE FOR NOMINAL REFERENCE ONLY.
 -PACKAGING: 1 PIECE IN A BAG.
 -THE CONNECTOR IS AS PER IEC 61076-2-101.
 -TEMPERATURE RANGE: -40°C TO 85°C (WITH CABLE BOOT),
 -30°C TO 85°C (WITHOUT CABLE BOOT).
 -VIBRATION & SHOCK TEST CONDUCTED AS PER IEC 61373:1999.
 -FIRE PERFORMANCE CONDUCTED AS PER EN45545-2, NFF16-101 AND NFF16-102.
 -THE THREAD OF THE MATING INTERLACE WITH THE COUNTERPART IS M12x1 ACCORDING TO IEC61076-2-101.
 -REFER SPEC NO 408-156019 FOR INSTRUCTION SHEET. (CABLE PLUG).
 -REFER SPEC NO 408-156023 FOR INSTRUCTION SHEET. (BULKHEAD CABLE).
 -CRIMP INSERT: SHOULD BE VALIDATED ON CABLE USED.

THIS DRAWING IS A CONTROLLED DOCUMENT.		DWN	GUNA	07DEC2015	TE Connectivity		
		CHK	GANI	07DEC2015			
		APVD	JAYANTH	07DEC2015	NAME		
DIMENSIONS: MM		TOLERANCES UNLESS OTHERWISE SPECIFIED:			M12, A-CODED RAIL MALE 8 CRIMP CONNECTORS		
		0 PLC	± -		PRODUCT SPEC		
		1 PLC	± -		108-156001		
		2 PLC	± -		APPLICATION SPEC		
		3 PLC	± -		114-156002		
		4 PLC	± -		SIZE	CAGE CODE	DRAWING NO
		ANGLES	± -		A3	00779	C-2823447
MATERIAL		FINISH			WEIGHT	RESTRICTED TO	
					24 g	-	
CUSTOMER DRAWING					SCALE	SHEET	REV
					NTS	1 OF 2	A1

THIS DRAWING IS UNPUBLISHED.		RELEASED FOR PUBLICATION		NOV , 2007.	
© COPYRIGHT 2007 By -		ALL RIGHTS RESERVED.			
PROJECT	PRJ-14-000004825				
PART NO	X-2823447-X				
HV DESC	M12, A-CODED,RAIL MALE 8 CRIMP				
CUSTOMER	GENERAL MARKET				

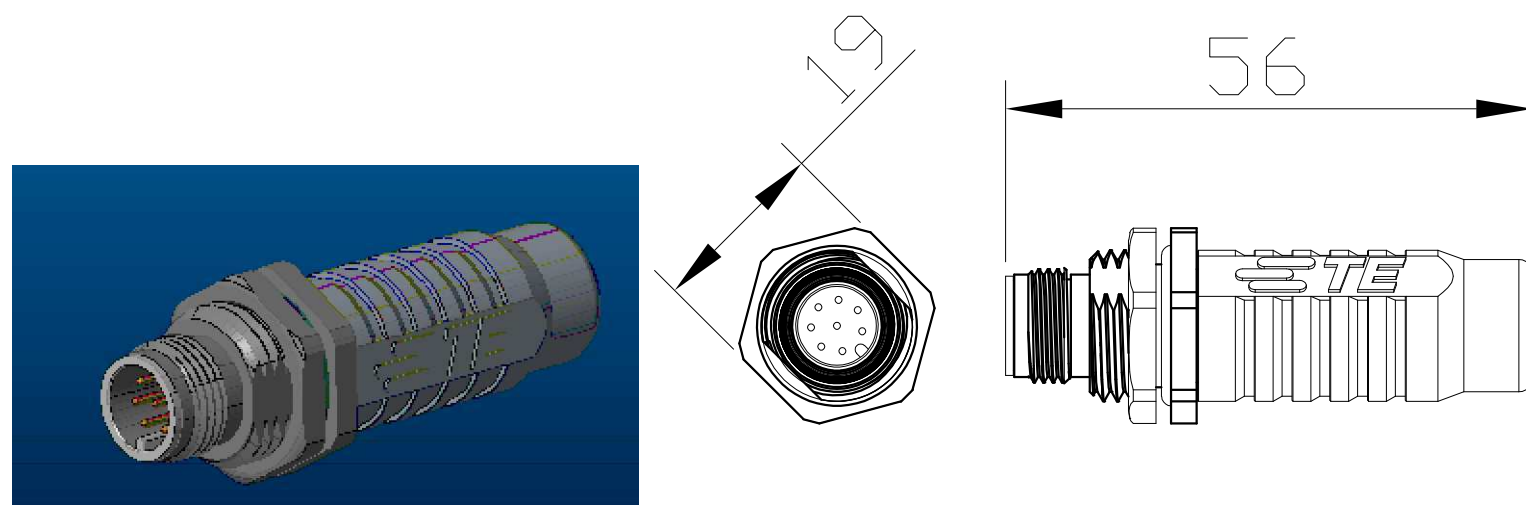
LOC	DIST	REVISIONS					
E	B	P	LTR	DESCRIPTION	DATE	DWN	APVD
		-		SEE SHEET 1	-	-	-

CABLE PLUG AS SHOWN



CUSTOMER CAN CHOOSE ANY ONE OF THE PANEL CUT-OUT.

BULK HEAD PLUG TE PN'S: 1-2823447-5 & 1-2823447-6
BULK HEAD AS SHOWN



6	GRIP BOOT	1	PC
5	BACK NUT & CRIMP SLEEVE	1	PC
4	CRIMP INSERT	1	PC
3	CONTACT HOLDER	1	PC
2	CRIMP CONTACTS MACHINED	8	PC
1	FRONT HOUSING	1	PC
Position	DESCRIPTION	QTY	UNIT

THIS DRAWING IS A CONTROLLED DOCUMENT.		DWN	GUNA	07DEC2015	 TE Connectivity
		CHK	GANI	07DEC2015	
		APVD	JAYANTH	07DEC2015	
		PRODUCT SPEC			
DIMENSIONS: MM		TOLERANCES UNLESS OTHERWISE SPECIFIED:		NAME	
		0 PLC	± -	M12, A-CODED	
		1 PLC	± -	RAIL MALE 8 CRIMP CONNECTORS	
		2 PLC	± -	SIZE	CAGE CODE
		3 PLC	± -	—	—
		4 PLC	± -	APPLICATION SPEC	DRAWING NO
		ANGLES	± -	—	—
MATERIAL		FINISH		WEIGHT	RESTRICTED TO
-		-		24 g	—
CUSTOMER DRAWING				SCALE	SHEET
				NTS	2 OF 2
				REV	A1