

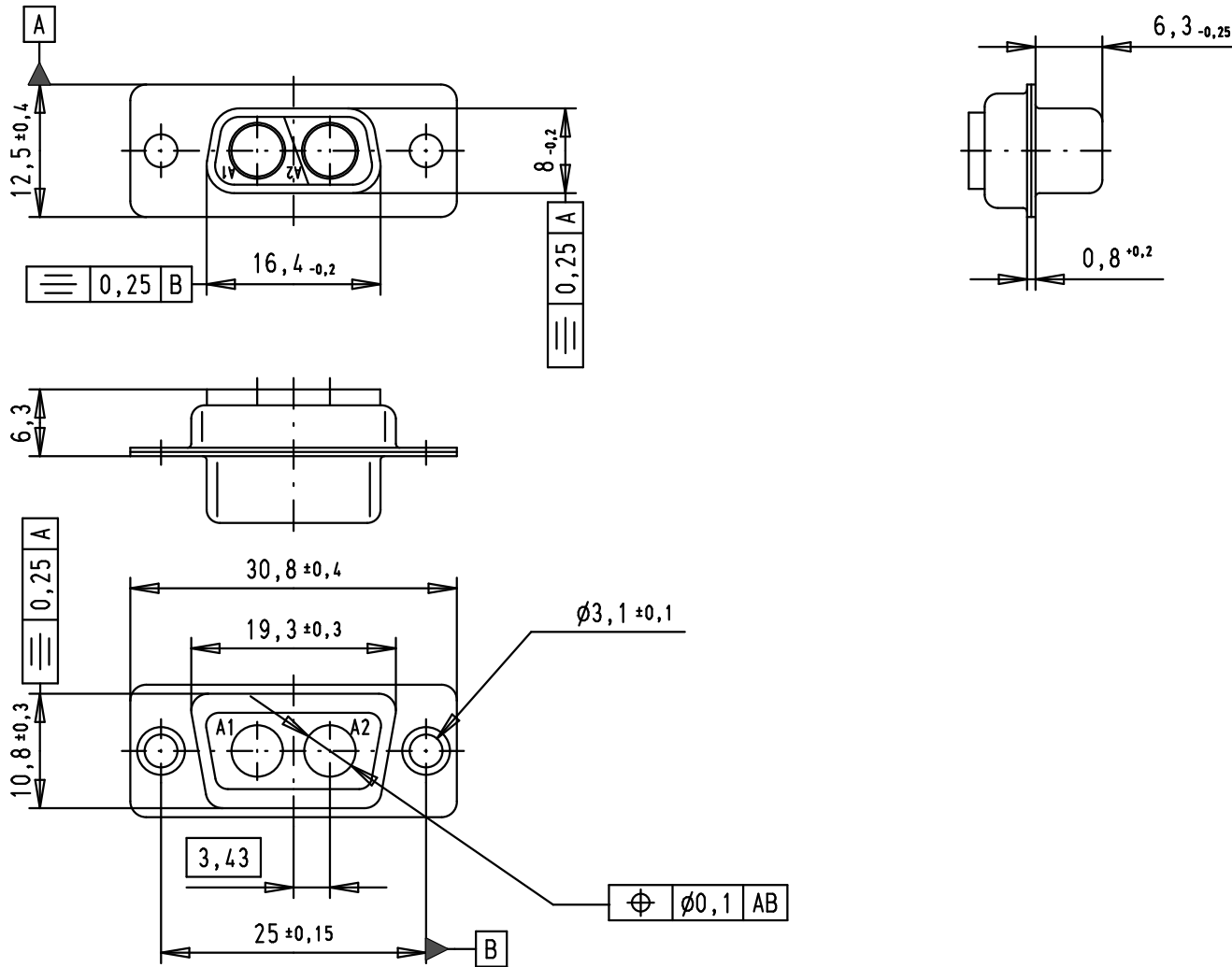
5

4

3

2

1

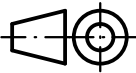



D

C

B

A

| | | | | | | | | | | | |
|--------------------|--------------|---------|-----------|------|-------------------------------|-----------|----|-------------------------------------------------------------------------------------------------------------------------------|--------------------------------------------------------------------|--------------------------------|--|
| 09 69 100 0022.500 | Non magnetic | | | | Detail. | 21-AUG-02 | CV |  All Dim. in mm Orig. Size DIN A 4 | D-Sub, female, 2W2C, without contacts, with tin plated shell | Maßstab/ Scale 1.5:1 | |
| | | EC01864 | 11/05/10 | SC | Insp. | | | | | | |
| | | 32119 | 23/06/04 | AC | Stand. | | | | | | |
| | | 31545 | 24/09/03 | AF | | | | | | | |
| | | 31076 | 21-AUG-02 | CV | | | | | | | |
| Part number | | Mod. | Dot. | Name | HARTING EURL F-95972 Paris | | |  | TB 09 69 100 0022 | Blatt/ Page 1 / | |
| | | | | | Sub. | | | | | | |