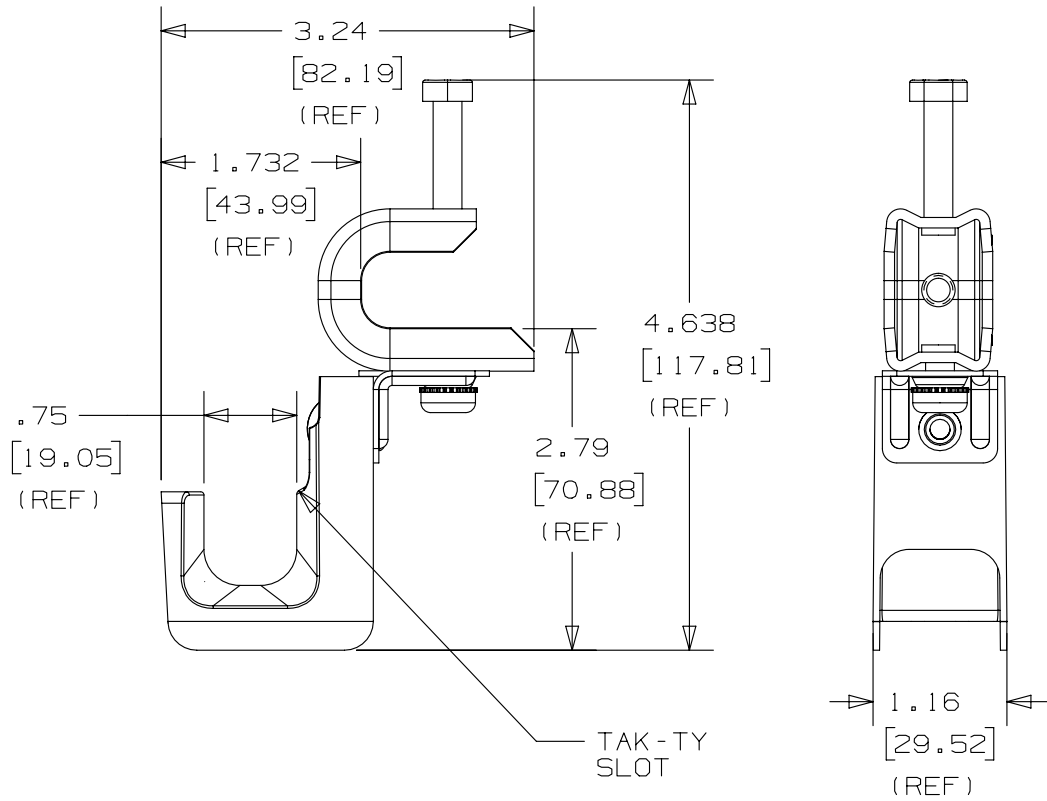
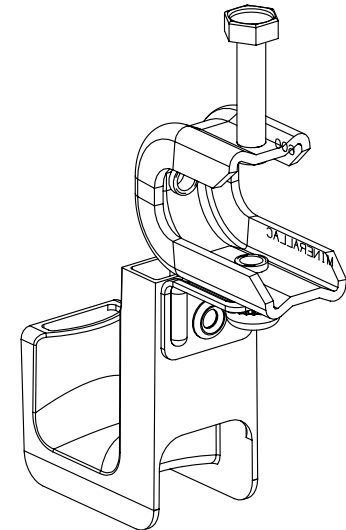


THIS COPY IS PROVIDED ON A RESTRICTED BASIS AND IS NOT TO BE USED IN ANY WAY DETRIMENTAL TO THE INTERESTS OF PANDUIT CORP.



PANDUIT PART NO.	FLANGE THICKNESS	WEIGHT 10pcs lbs (g)
JP75SBC50RB-___	UP TO 0.50 [12.7]	1.883 (854)



- NOTES:
- SEE CURRENT PRICE SHEET FOR PART NUMBER SUFFIX DESIGNATION FOR PACKAGE SIZE AND PRODUCT COLOR.
  - HOOK MATERIAL: NYLON 6/6  
ANGLE BRACKET MATERIAL: PRE-GALVANIZED STEEL  
RIVET MATERIAL: ALUMINUM  
CLAMP MATERIAL: PLATED STEEL  
BOLT/WASHER MATERIAL: ZINC PLATED STEEL
  - PRODUCT IS DESIGNED TO SUPPORT A MAXIMUM OF 3/4" (19.05) DIAMETER BUNDLE. MAXIMUM RECOMMENDED STATIC LOAD: 15 lbs.
  - PRODUCT INCORPORATES FEATURES ALLOWING USER TO RETAIN CABLE BUNDLES IN J-PRO J-HOOK WITH TAK-TY CABLE TIES UP TO 3/4" WIDE.
  - PRODUCT MARKINGS:  
cULus logo and statement:  
"SUITABLE FOR USE IN AIR HANDLING SPACES IN ACCORDANCE WITH SECTION 300-22 (C) & (D) OF THE NATIONAL ELECTRIC CODE."  
ULC logo and statement:  
"IN ACCORDANCE WITH CAN/ULC S-102.2-10 IN SINGLE UNITS OR PAIRS, 4 ft (1220mm) MIN. SPACING, FSR=0, SDC=35."

TITLE J-PRO J-HOOK WITH 360° SCREW-ON BEAM CLAMP (JP75SBC50RB-___) CUSTOMER DRAWING		<b>PANDUIT</b> <sup>TM</sup>
ITEM REVISION NAME 121031AM/00	DATASET FILE NAME 121031AM_DC_C11012/00A	
UNLESS OTHERWISE SPECIFIED, DIMENSIONAL TOLERANCES ARE: IN (mm) .x ± .1 [2.54]      .xxx ± .005 [0.127] .xx ± .01 [0.25]      ANGLES ± 5°		MATERIAL: SEE NOTE 2
DRAWN BY: DBLA    DATE: 1/25/2013    CHK: KLN    SCALE: NONE		DRAWING NUMBER: C11012
REV    DATE    BY    CHK    APR    DESCRIPTION    ECN		SHT 1 OF 1    A

OO	I/25/2013	DBLA	GGC	KLN	INITIAL RELEASE	GAECN00231
REV	DATE	BY	CHK	APR	DESCRIPTION	ECN

D10100DA/12

2

1

2

1