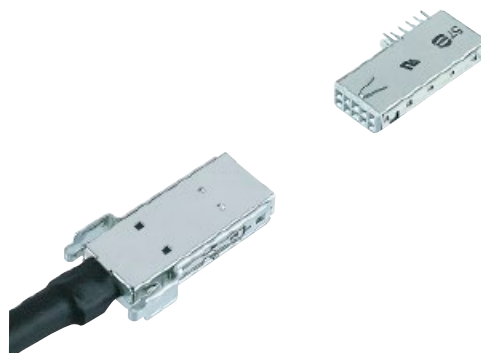
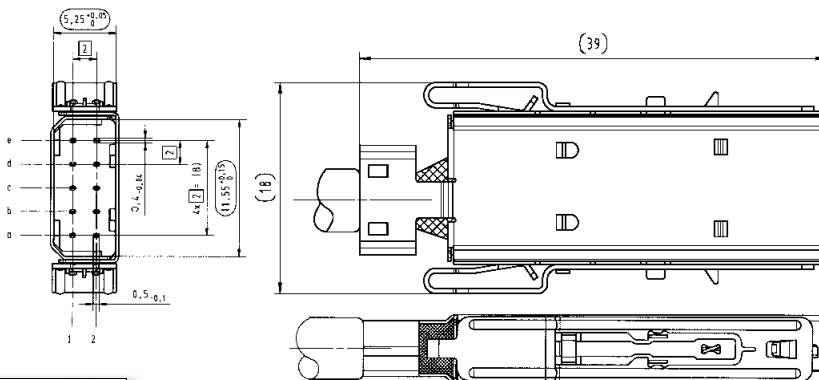


Male connectors, straight
Female connectors, angled



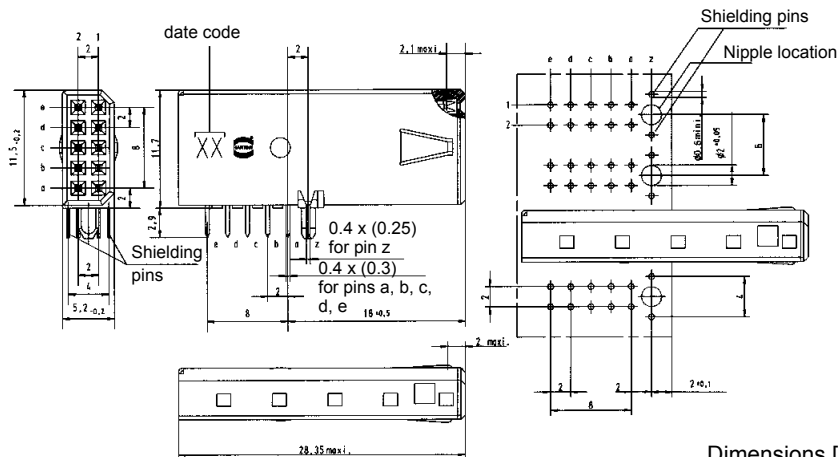
Identification	No. of contacts	Colour	Part number
Male connector with solder buckets	10	Black	27 11 122 2001
Female connector with solder pins	10	Beige (standard)	27 21 121 8000
	10	Red	27 21 121 8002
	10	Yellow	27 21 121 8004
	10	Green	27 21 121 8005
	10	Blue	27 21 121 8006
	10	Black	27 21 121 8010

Male connector
(delivered in piece parts)



Manuals for the *har-link*® cable free connector assemblies are available in our online catalogue *HARKIS*® or on demand at your local HARTING representative.

Female connector



Dimensions [mm]