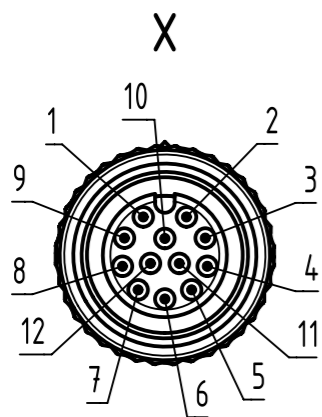


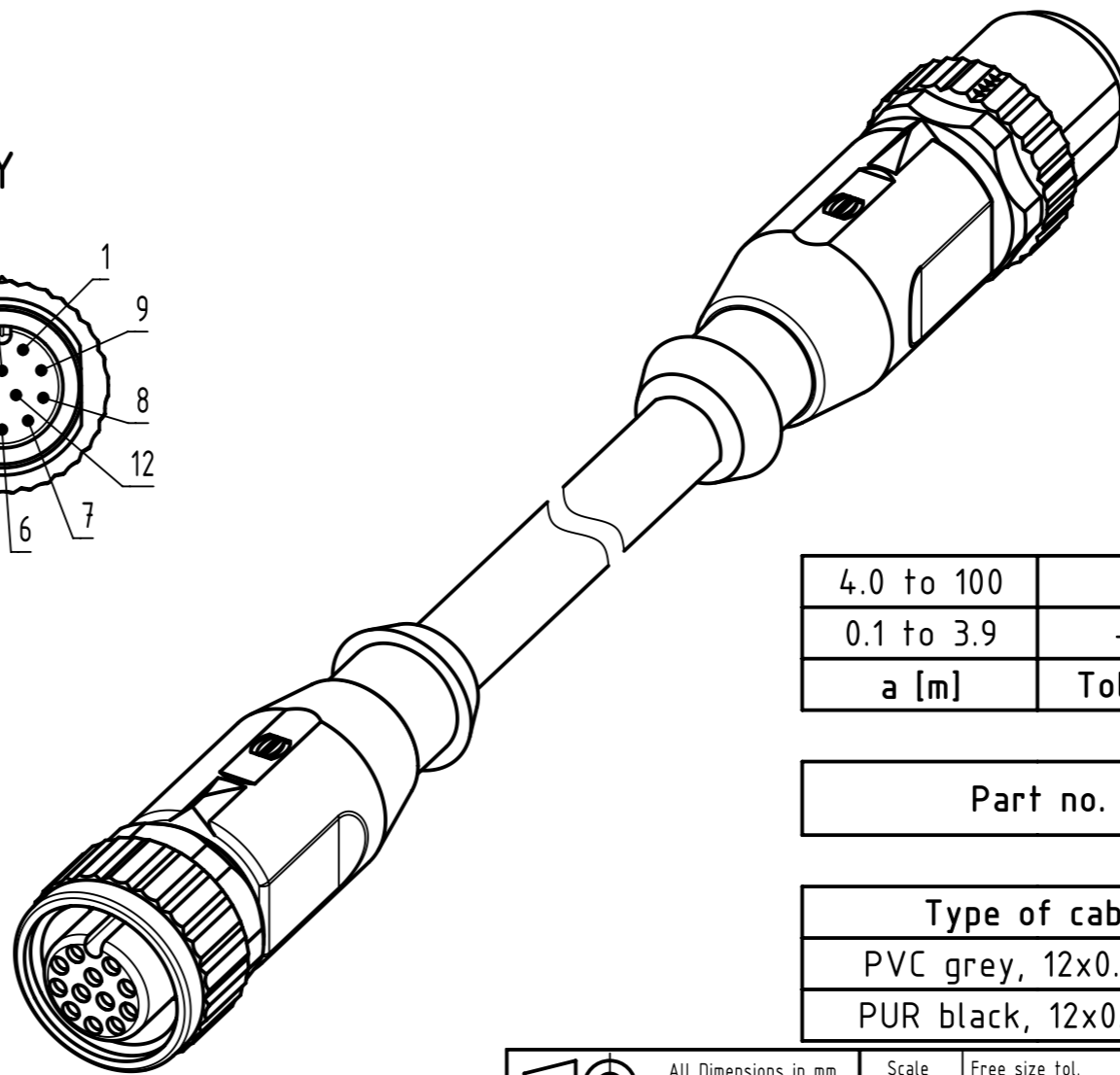
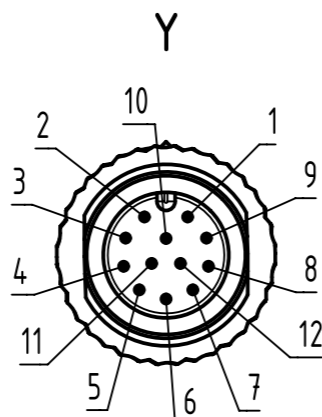
M12 A-coded 12-poles, female straight connector

M12 A-coded 12-poles, male straight connector

Loading-Plan:



- 1 brown 1
- 2 blue 2
- 3 white 3
- 4 green 4
- 5 pink 5
- 6 yellow 6
- 7 black 7
- 8 grey 8
- 9 red 9
- 10 violet 10
- 11 grey-pink 11
- 12 red-blue 12



- Protection level: IP67
 - Temperature range: -30°C ... +80°C

length in "1m" step	100	XXX=000
	99	XXX=990
	.	.
	12	XXX=120
length in "0.1m" step	11	XXX=110
	10	XXX=100
	9.9	XXX=099
	9.8	XXX=098
	.	.
	0.4	XXX=004
	0.3	XXX=003
	0.2	XXX=002
	0.1	XXX=001
Step	a [m]	XXX

4.0 to 100	+1%
0.1 to 3.9	+0.04
a [m]	Tolerance

Part no.	21348485CXXX
----------	--------------

Type of cable	XX
PVC grey, 12x0.14mm ²	XX=79
PUR black, 12x0.14mm ²	XX=78

All rights reserved Department EC PD - RO HARTING Electronics GmbH D-32339 Espelkamp	All Dimensions in mm Original Size DIN A3	Scale 2:1	Free size tol.	Ref. Sub.
	Created by TAMAS	Inspected by AVRAM	Standardisation KOHLER	Date 2014-07-18
Title M12 A-coded Cable Assembly				Doc-Key / ECM-Nr. 100583187/UGD/009/A 50000077739
Type TB		Number 21348485CXXXXX		Rev. A
				Page 1/1