

DESCRIPTION: M8 FEMALE - CABLE MOUNT - SOLDER CUP - 5 POS.

UNITS = INCHES [MM]

NOTE:

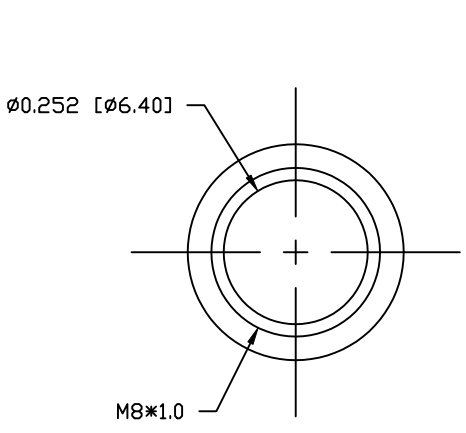
MATERIAL
 HOUSING: PBT UL94V-0, BLACK
 CONTACT: BRASS
 NUT: BRASS
 GROUND: BRASS
 O-RING: NBR, BLACK
 FINISH
 CONTACT: GOLD PLATED OVER 50µ" NICKEL
 NUT: NICKEL PLATED
 GROUND: BRIGHT TIN (60µ")

ELECTRICAL
 RATED CURRENT: 3A
 RATED VOLTAGE: 125V
 INSULATION RESISTANCE: 100 mOhms MIN.
 CONTACT RESISTANCE: 10 mOhms MAX.
 WATER PROOF: IP67

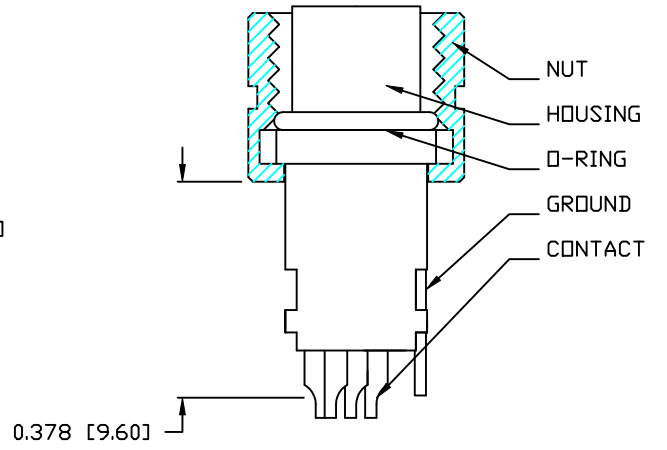
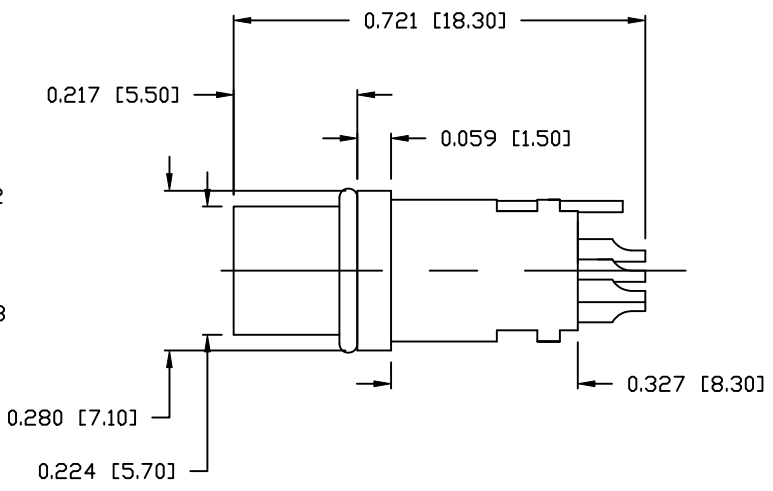
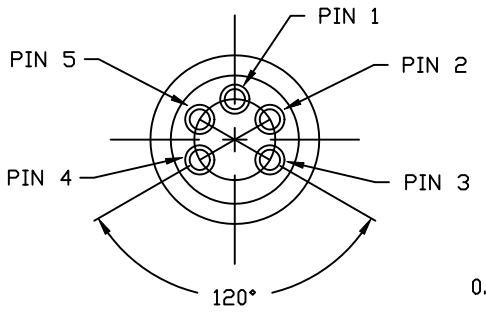
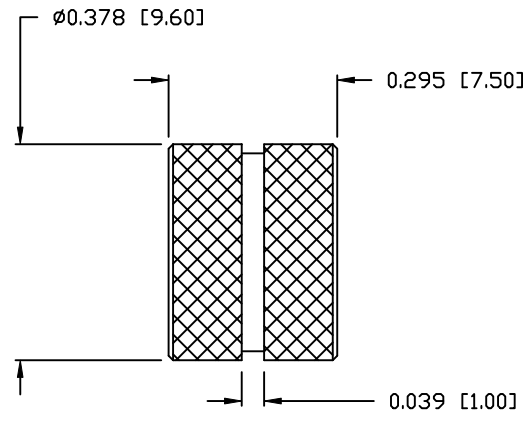
ENVIRONMENT
 OPERATION TEMPERATURE: -40°C TO +85°C
 WIRE GAUGE: 24-28 AWG

854-005-203RLSY

1 = GOLD FLASH
 4 = 10µ" GOLD



NUT



RoHS COMPLIANT

DO NOT SCALE FROM DRAWING



THESE DRAWINGS AND SPECIFICATIONS ARE THE PROPERTY OF NorComp AND SHALL NOT BE REPRODUCED, COPIED OR USED AS THE BASIS FOR THE MANUFACTURE OR SALE OF APPARATUS WITHOUT WRITTEN PERMISSION.

DRAWN: M. SIGMON DATE: 03-04-16
 CHECKED: DATE:

NorComp

SCALE: N.T.S. SHEET 1 OF 1 REV 1
 DWG NO. 854-005-203RLSY