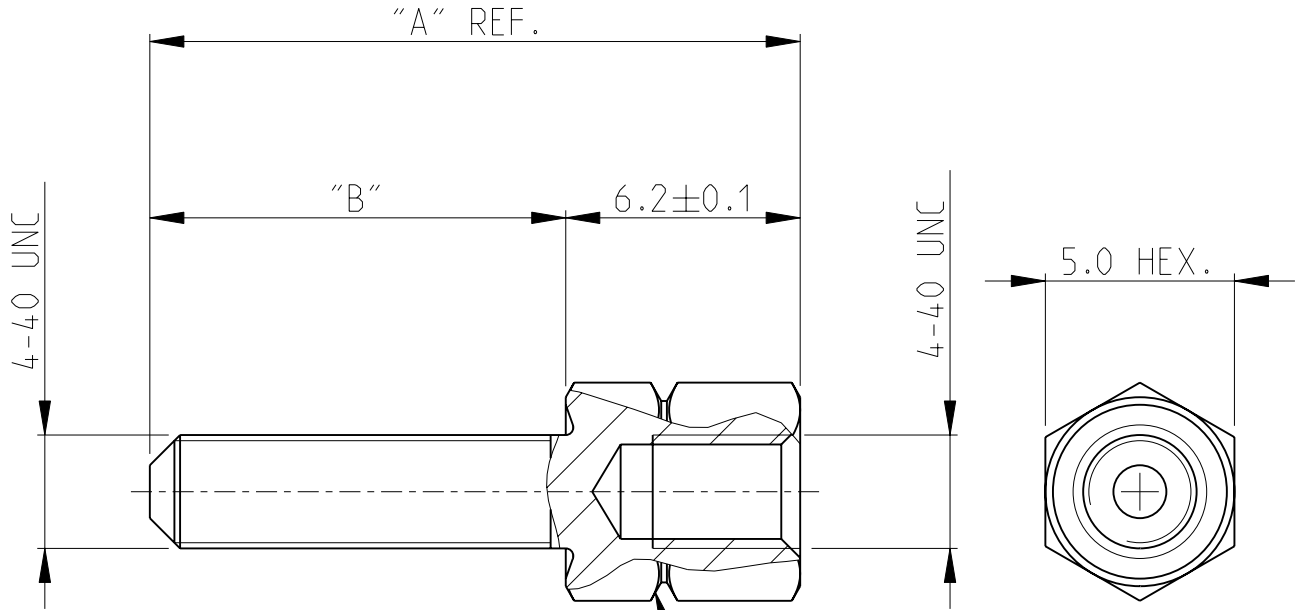


LOC	DIST	REVISIONS					
AI	-	P	LTR	DESCRIPTION	DATE	DWN	APVD
		F	H-9720		21APR92	SM	CVT
		G1	REDRAWN		6JUN05	ACK	MS
		G2	REVISED PER ECO-10-00045		12JAN10	KK	AEG
		J	ECR-11-005934		28MAR11	RK	KMA



NOTE

- 1 OBSOLETE PARTS: OBSOLETE CIS STERMLINING PER D.RENAUD/D.SINSI
2. MAXIMUM MOUNTING TORQUE 0,6 Nm.

GROOVE TO INDICATE
4-40 UNC INNER THREAD

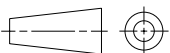
	9,2	3,0	PLAIN	ARCAP	3-828 102-3	
	9,2	3,0	TINPLATED	BRASS	3-828 102-1	
	17,2	11,0	PLAIN	ARCAP	2-828 102-3	
	17,2	11,0	TINPLATED	BRASS	2-828 102-1	
	15,9	9,7	PLAIN	ARCAP	1-828 102-3	
	15,9	9,7	TINPLATED	BRASS	1-828 102-1	
1	OBSOLETE	11,2	5,0	PLAIN	ARCAP	828 102-3
		11,2	5,0	TINPLATED	BRASS	828 102-1
	DIM. "A"	DIM. "B"	FINISH	MATERIAL	PARTNUMBER	


DIMENSIONS:

mm

TOLERANCES UNLESS OTHERWISE SPECIFIED:

0 PLC	±
1 PLC	±0.2
2 PLC	±0.2
3 PLC	±
4 PLC	±
ANGLES	±2°



DWN G.ACKERMANN 06JUN2005	MATERIAL -	FINISH -
CHK M.SCHAARSCHMIDT 06JUN2005	 TE Connectivity	
APVD G.FELDMEIER 06JUN2005		
PRODUCT SPEC -	NAME SCREW LOCK, FEMALE HD-SERIES BEFESTIGUNGSSCHRAUBE, BUCHSENLEISTE	
APPLICATION SPEC -	SIZE A 4	CAGE CODE 00779
WEIGHT -	DRAWING NO C-828102	RESTRICTED TO -
CUSTOMER DRAWING		SCALE 5:1
		SHEET 1 OF 1
		REV J

2005

RELEASED FOR PUBLICATION

TYCO ELECTRONICS CORPORATION ALL RIGHTS RESERVED.

© COPYRIGHT 2000

THIS DRAWING IS UNPUBLISHED