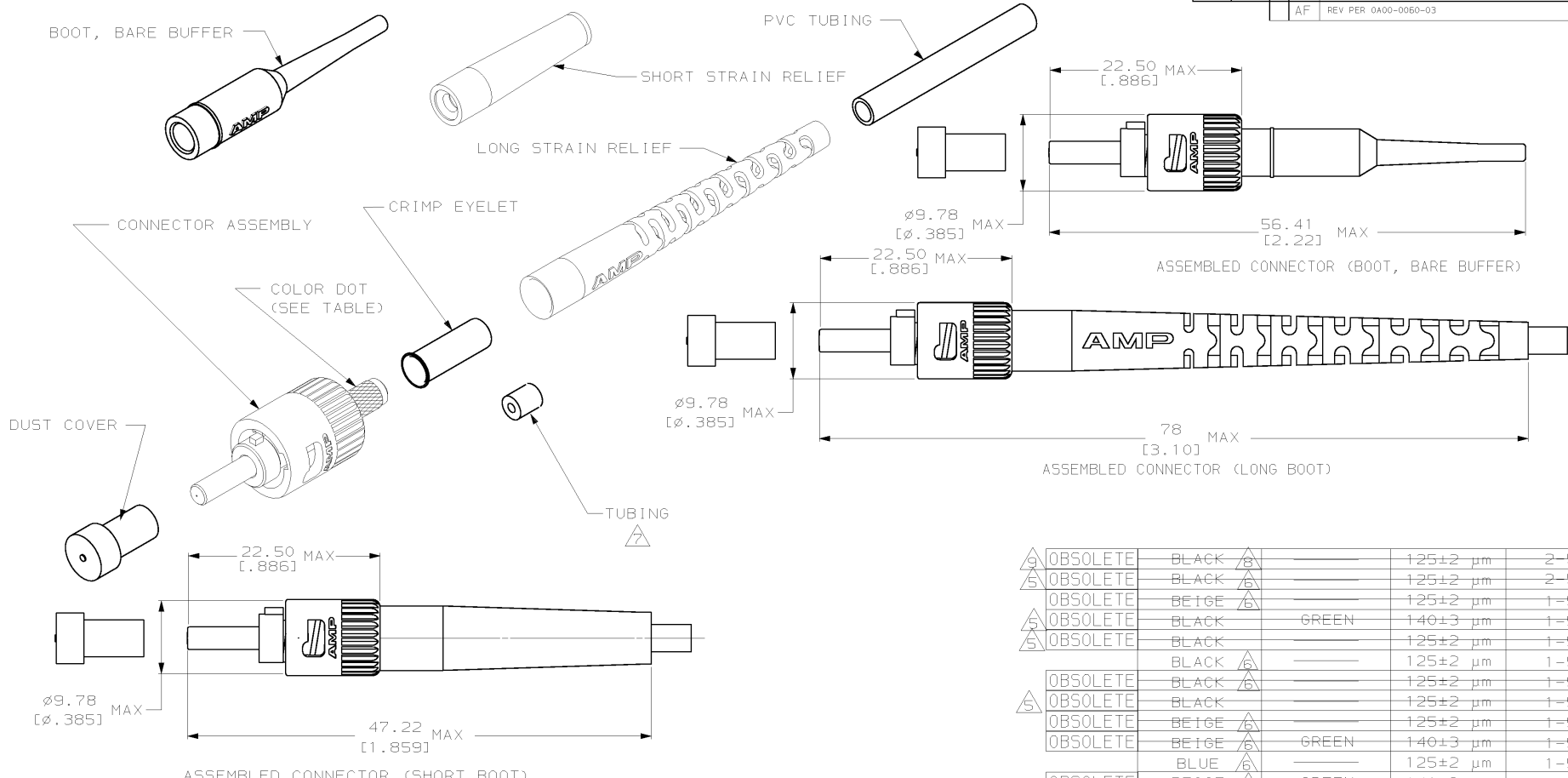


THIS DRAWING IS UNPUBLISHED. RELEASED FOR PUBLICATION .19
 © COPYRIGHT 19 BY AMP INCORPORATED. ALL RIGHTS RESERVED.

LOC	DIST	REVISIONS					
CE	16	P	LTR	DESCRIPTION	DATE	OWN	APVD
		AF		REV PER 0A00-0050-03	07MAR03	DDE	SB



- DIMENSIONS IN [] ARE IN INCHES.
- INSTRUCTION SHEET 408-9645.
- △ BODY: ELECTROLESS NICKEL
COUPLING NUT: ELECTROLESS NICKEL
- △ BODY: BRASS
CAPILLARY: ZIRCONIUM OXIDE (ZrO₂)
COUPLING NUT: ZINC
STRAIN RELIEF: THERMOPLASTIC
- △ BULK PACKAGED
- △ SHORT BOOT
- △ CLEAR TUBING USED ONLY ON 900μm BUFFERED FIBER FIBER WITHOUT STRENGTH MEMBERS.
- △ BARE BUFFER (900μm) BOOT
- △ PVC TUBING NOT INCLUDED

△	OBSELETE	COLOR	△	STRAIN RELIEF COLORS	COLOR DOT	FIBER SIZE	PART NO
△ 9	OBSELETE	BLACK	△ 8			125±2 μm	2-501380-1
△ 5	OBSELETE	BLACK	△ 6			125±2 μm	2-501380-0
△ 5	OBSELETE	BEIGE	△ 6			125±2 μm	1-501380-9
△ 5	OBSELETE	BLACK		GREEN		140±3 μm	1-501380-8
△ 5	OBSELETE	BLACK				125±2 μm	1-501380-7
		BLACK	△ 6			125±2 μm	1-501380-6
		BLACK	△ 6			125±2 μm	1-501380-5
△ 5	OBSELETE	BLACK				125±2 μm	1-501380-4
		BEIGE	△ 6			125±2 μm	1-501380-3
		BEIGE	△ 6	GREEN		140±3 μm	1-501380-2
		BLUE	△ 6			125±2 μm	1-501380-1
		BEIGE	△ 6	GREEN		140±3 μm	1-501380-0
△ 5		BLUE	△ 6			125±2 μm	501380-9
		RED		GREEN		140±3 μm	501380-8
		RED				125±2 μm	501380-7
		BLACK		GREEN		140±3 μm	501380-6
		BLACK				125±2 μm	501380-5
		BEIGE		GREEN		140±3 μm	501380-4
		BEIGE				125±2 μm	501380-3
		BLACK		GREEN		140±3 μm	501380-2
△ 10		BLACK				125±2 μm	501380-1

THIS DRAWING IS A CONTROLLED DOCUMENT.

DIMENSIONS:	mm	TOLERANCES UNLESS OTHERWISE SPECIFIED:	DWN C. EISENHOUR 5-3-88	AMP Incorporated Harrisburg, PA 17105-3608
			CHK A. PLOTTS 5-4-88	
			APVD J. MONROE 5-4-88	
			PRODUCT SPEC 108-1492	NAME
			APPLICATION SPEC	SIZE CAGE CODE (DRAWING NO)
MATERIAL	△ 4	FINISH	△ 3	WEIGHT
				A2 00779
				RESTRICTED TO
				SCALE 2:1 SHEET 1 OF 1 REV AF

CONNECTOR KIT, 2.5mm BAYONET, OPTIMATE

CUSTOMER DRAWING