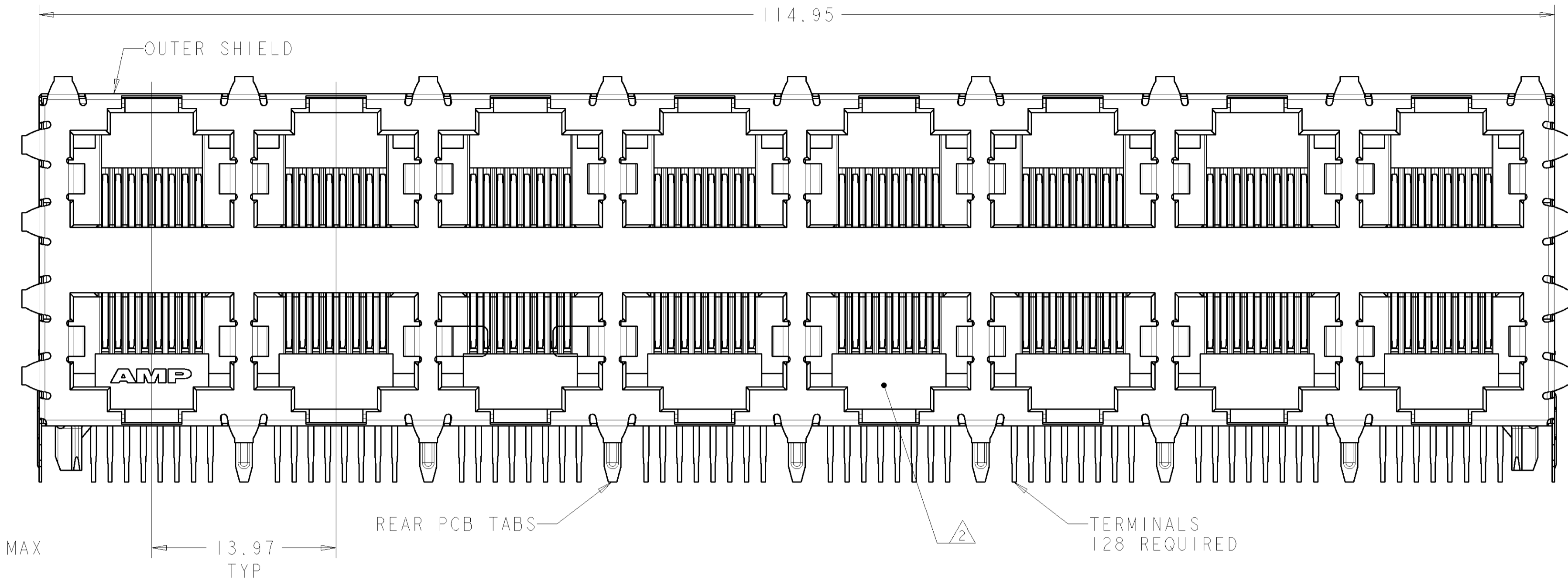
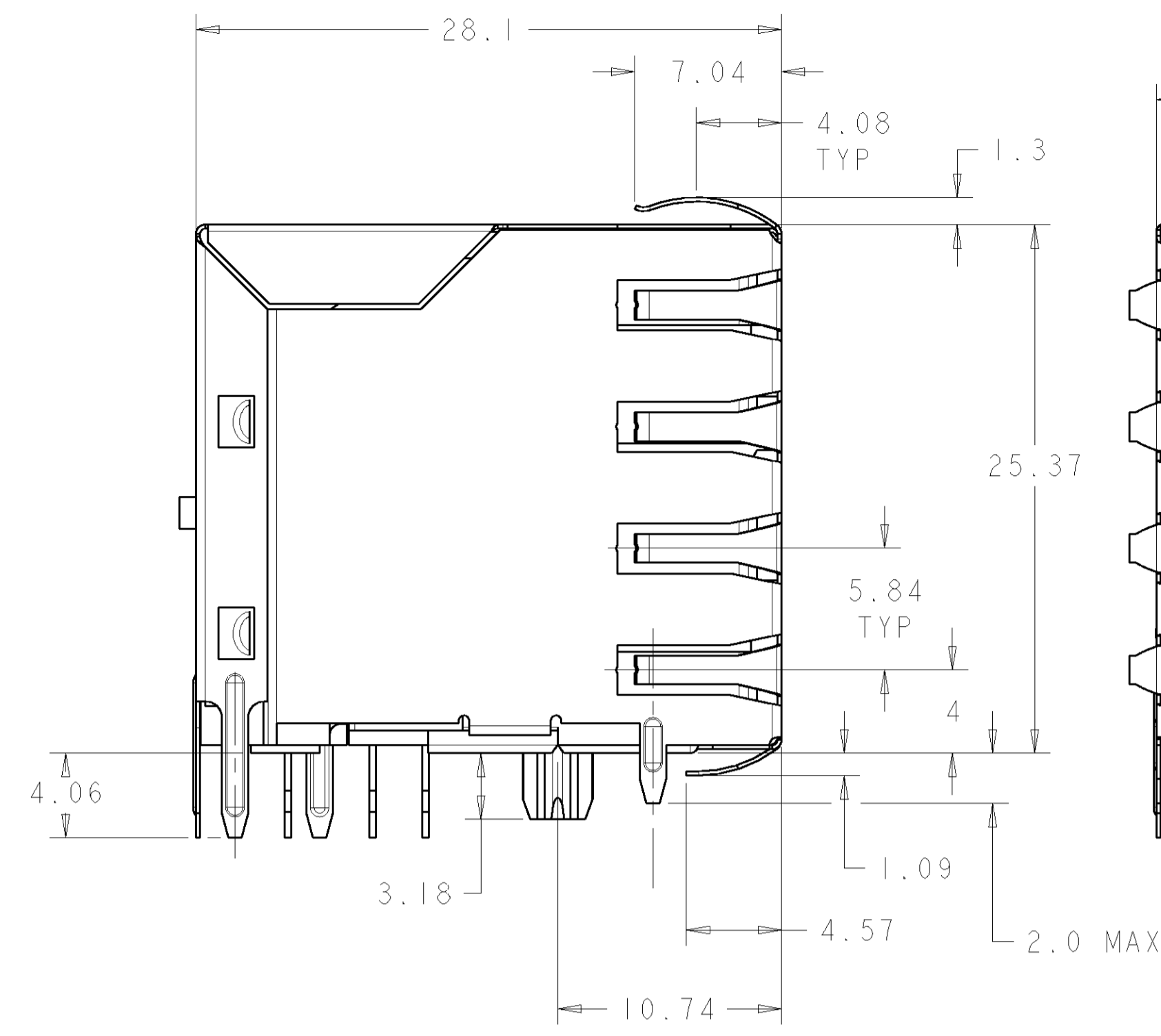
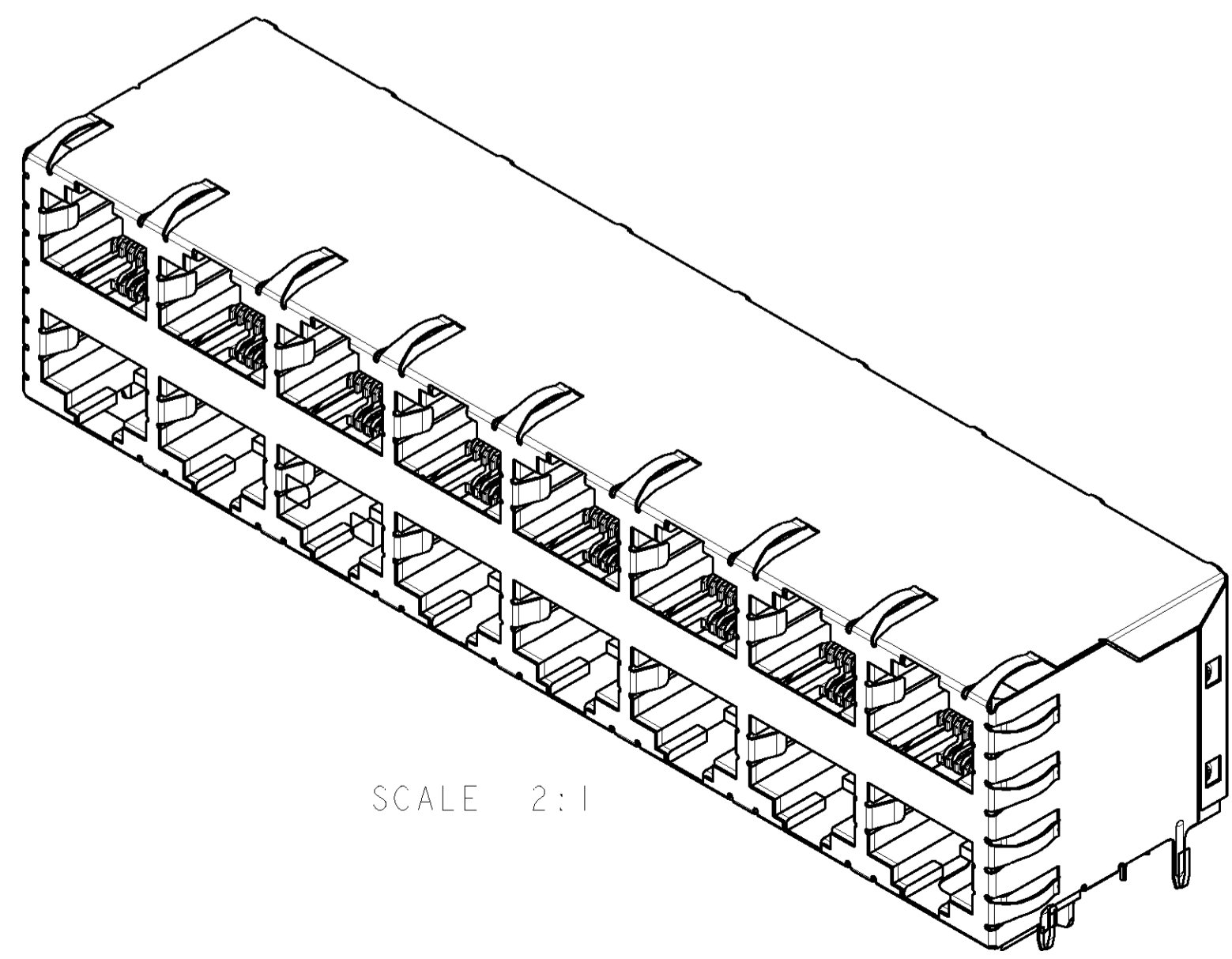
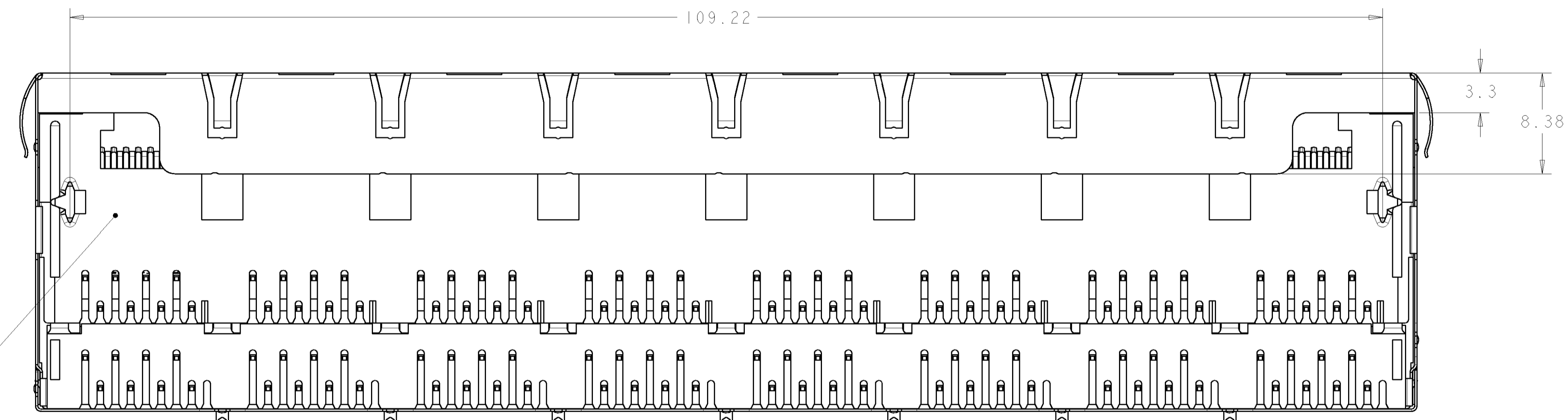


LOC	DIST	REVISIONS					
		P	LTR	DESCRIPTION	DATE	DRN	APVD
AA	22	A		REV PER ECOS11-0201-04	28JUL2005	AF	SF



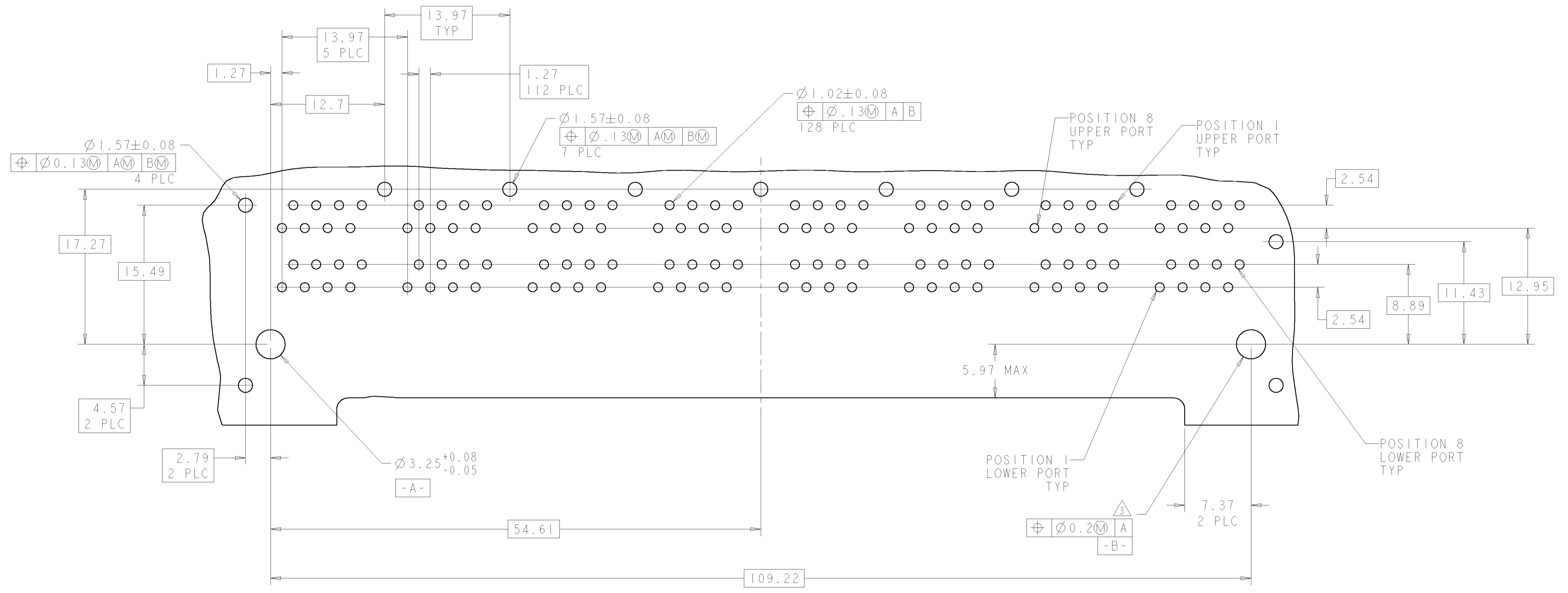
- 1. MATERIAL: HOUSING - PCT POLYESTER, BLACK, UL 94V-0  
 TERMINALS: 0.305 THICK PHOS BRONZE PLATED WITH 1.27µm MINIMUM THICK HARD GOLD IN LOCALIZED AREA AND 2µm MINIMUM THICK MATTE TIN IN SOLDER AREA OVER 1.27µm MINIMUM THICK NICKEL UNDERPLATE.  
 SHIELD - .196 THICK COPPER ALLOY PLATED WITH 1.27µm MINIMUM NICKEL AND 2.03µm MINIMUM HOT TIN DIP ON PCB GROUND TABS
- 2. JACK CAVITY CONFORMS TO FCC RULES AND REGULATIONS, PART 68 SUBPART F
- 3. USE #30 DRILL BIT OR 3.25mm DRILL BIT WHEN PRODUCING THESE PCB HOLES
- 4. RECOMMENDED APPLICATIONS: FAST ETHERNET, 10 BASE-T ETHERNET, AND 10/100 BASE-T ETHERNET (CAT 5 TWO PAIR 1/2, 3/6)



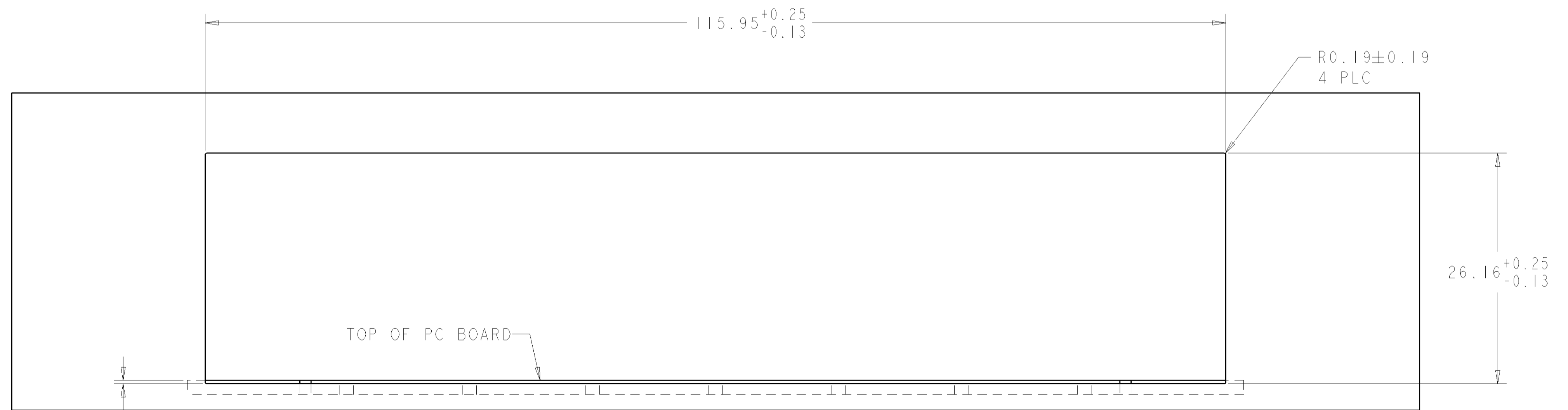
7	6368296-1
NUMBER OF REAR PCB TABS	PART NUMBER

<small>THIS DRAWING IS UNPUBLISHED. RELEASED FOR PUBLICATION. ALL RIGHTS RESERVED. © 2005 TYCO ELECTRONICS CORPORATION. THIS DRAWING IS THE PROPERTY OF TYCO ELECTRONICS CORPORATION. IT IS TO BE USED ONLY FOR THE SPECIFIC PROJECT AND ORGANIZATION FOR WHICH IT WAS CREATED. IT IS NOT TO BE REPRODUCED OR TRANSMITTED IN ANY FORM OR BY ANY MEANS, ELECTRONIC OR MECHANICAL, INCLUDING PHOTOCOPYING, RECORDING, OR BY ANY INFORMATION STORAGE AND RETRIEVAL SYSTEM, WITHOUT THE WRITTEN PERMISSION OF TYCO ELECTRONICS CORPORATION.</small>		DRN: A. FERNANDEZ - 28 JUL 2005 CHK: J. WESTMAN - 28 JUL 2005 APVD: S. FLICKINGER - 28 JUL 2005	<b>tyco</b> Electronics TYCO Electronics Harrisburg, PA 17105-3608
DIMENSIONS: mm 	TOLERANCES UNLESS OTHERWISE SPECIFIED: 0 PLC ±.25 1 PLC ±.25 2 PLC ±.25 3 PLC ±.25 4 PLC ±.25 ANGLES ±.5	PRODUCT SPEC: 108-1163-9 APPLICATION SPEC: 114-2048 WEIGHT: - CUSTOMER DRAWING	NAME: 2X8 STACKED MODULAR JACK ASSEMBLY, 8 POSITION, SHIELDED, WAVE PANEL GROUND, 2.0 mm FRONT PCB GROUND TABS SIZE: 114-2048 CAGE CODE: - DRAWING NO: A100779 SCALE: 4:1 SHEET: 1 OF 2 REV: A

LOC	DIST	REV	DESCRIPTION	DATE	BY	APPD
AA	22		SEE SHEET 1			



**SUGGESTED PC BOARD LAYOUT**  
 VIEWED FROM COMPONENT SIDE  
 SCALE 4:1



**SUGGESTED PANEL CUTOUT DIMENSIONS**  
 SCALE 3:1

<small>THE DIMENSIONS TO DIMENSIONED SURFACES UNLESS OTHERWISE SPECIFIED ARE TO THE DIMENSIONED SURFACES UNLESS OTHERWISE SPECIFIED.</small>		DWN: 28 JUL 2005 A. FERNANDEZ - DOCK 5 ENR: 28 JUL 2005 J. WESTMAN APPD: 28 JUL 2005 S. FLICKINGER	<b>tyco</b> Electronics TYCO Electronics Harrisburg, PA 17105-3608
DIMENSIONS: mm 	TOLERANCES UNLESS OTHERWISE SPECIFIED: 0 PLC ±.25 1 PLC ±.25 2 PLC ±.25 3 PLC ±.25 4 PLC ±.25 ANGLES ±.5	NAME: 2X8 STACKED MODULAR JACK ASSEMBLY, 8 POSITION, SHIELDED, WAVE PANEL PRODUCT SPEC: 108-1163-9 APPLICATION SPEC: 114-2048 WEIGHT: - CUSTOMER DRAWING	SIZE: A100779 CAGE CODE: C=6368296 SCALE: 4:1 SHEET: 2 OF 2 REV: A