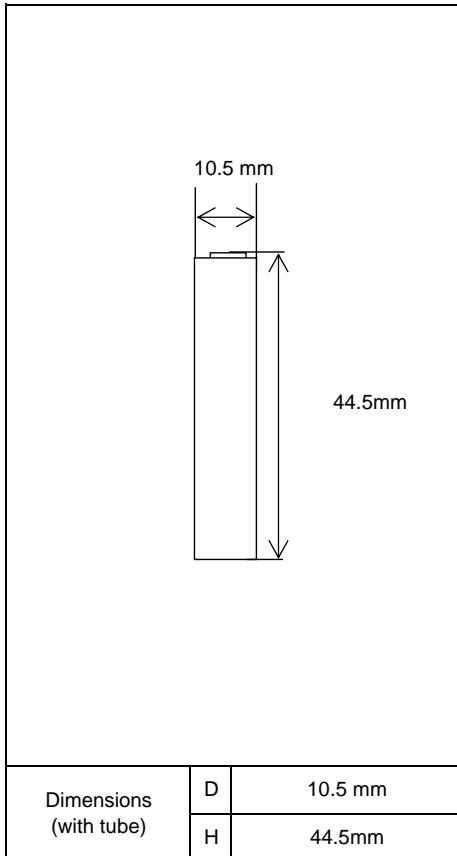


Specifications

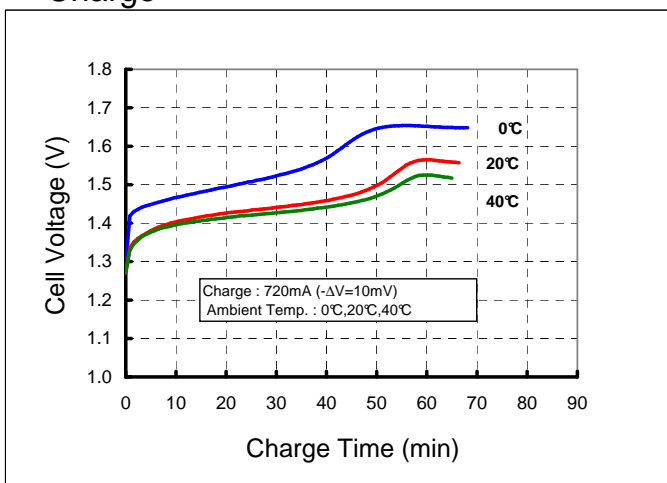


Type : Nickel-Metal Hydride Battery		Size : AAA	
Capacity ¹⁾	Typical	730mAh	
	Minimum	650mAh	
Nominal Voltage		1.2V	
Charging Current x Time	Fast Charge ²⁾	730 mA x about 1.1h	
Ambient Temp.	Charge Condition	Fast Charge ²⁾	
	Discharge Condition		
	Storage Condition	Less than 30days	0°C - 40°C
		Less than 90days	0°C - 50°C
Less than 1year		-20°C - 50°C	
Internal Impedance ³⁾ (after discharge to E.V.=1.0V)		Approx. 35mΩ(at 1000Hz)	
Weight ⁴⁾		Approx. 13 g	
Size ⁴⁾ : (Diameter) x (Height)		10.5(D) x 44.5(H)	

- 1) Single cell capacity under the following condition.
Charge : 73mA x 16h, Discharge : 146mA (E.V.=1.0V) at 20°C
- 2) Use recommended charging system.
- 3) After a few charge and discharge cycles under the above 1) condition.
- 4) With tube.

Typical Characteristics

Charge



Discharge

