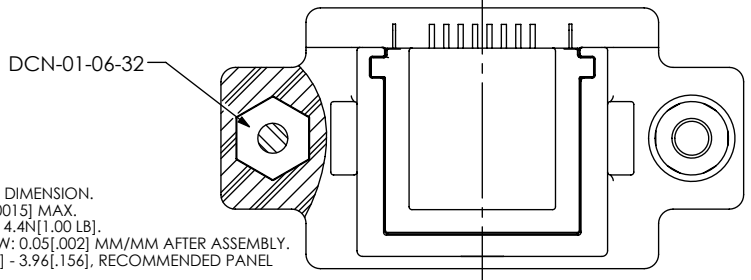
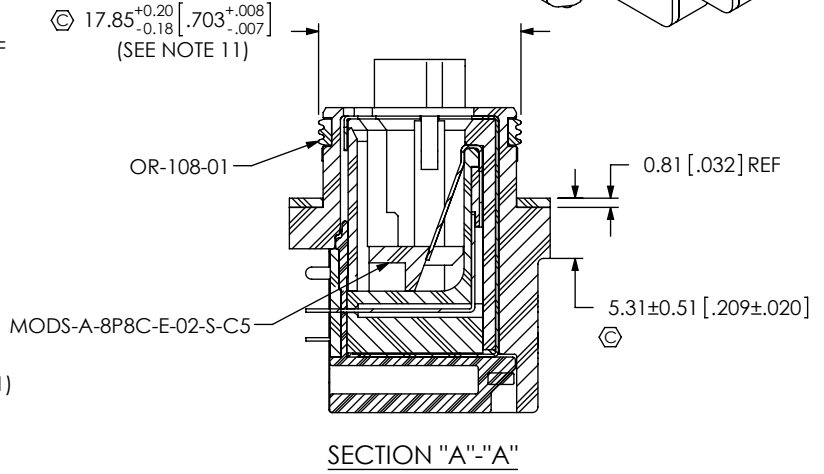
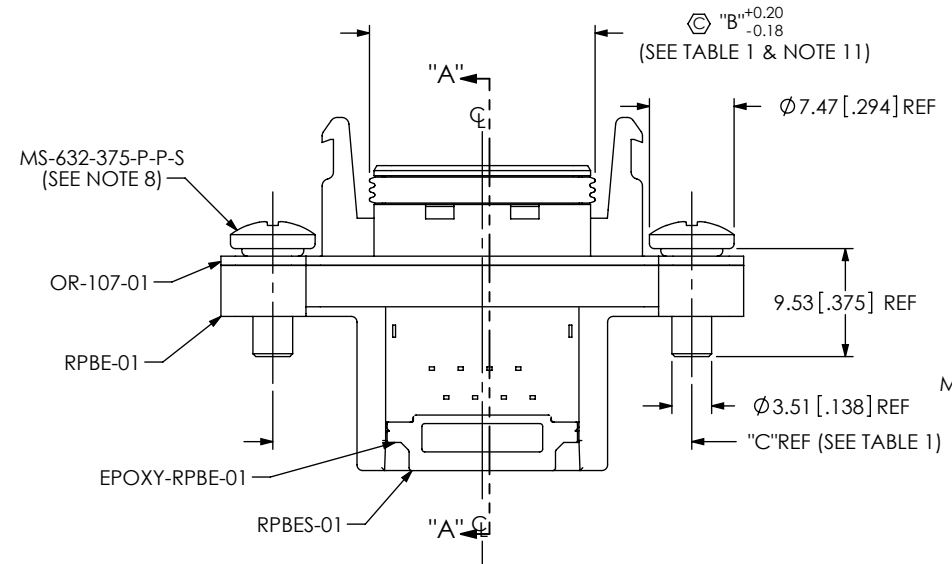
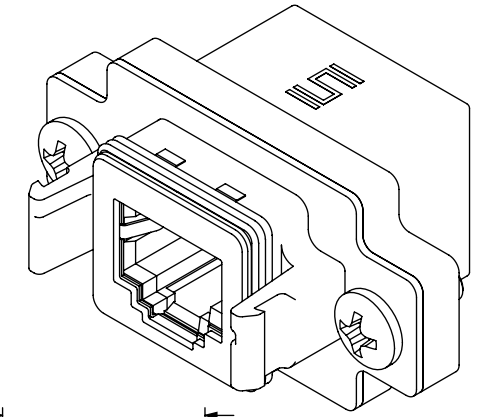
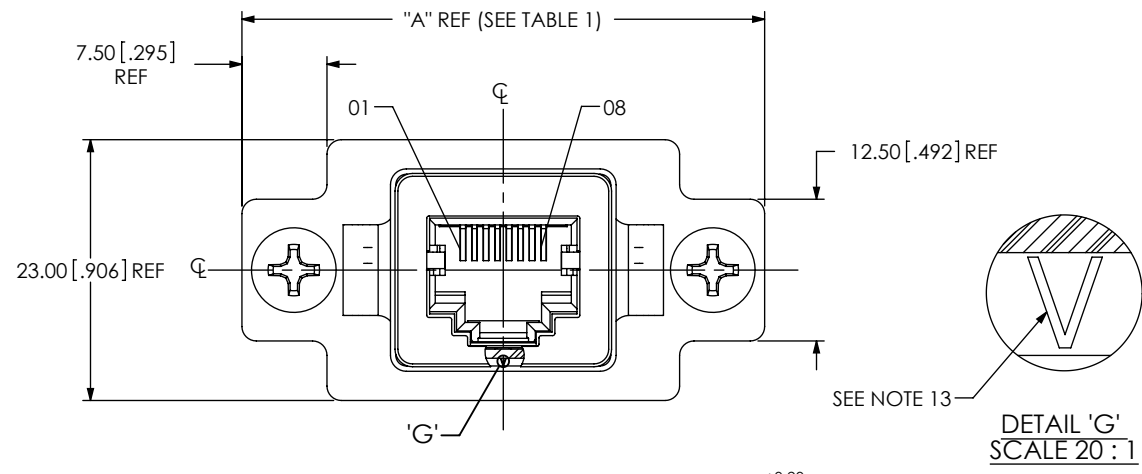


DO NOT SCALE FROM THIS PRINT

DESIGNED & DIMENSIONED IN MILLIMETERS [INCHES]

RPBE-XX-XX-X

No. OF PORTS
-01, -02
LEAD STYLE
-01: RIGHT ANGLE
PLATING SPECIFICATION
-E: SELECTIVE, 0.00127 MIN GOLD ON CONTACT, FLASH GOLD ON TAIL



- NOTES:
1. C REPRESENTS A CRITICAL DIMENSION.
 2. BURR ALLOWANCE: 0.038 [0.015] MAX.
 3. MINIMUM PUSHOUT FORCE: 4.4N [1.00 LB].
 4. MAXIMUM ALLOWABLE BOW: 0.05 [0.002] MM/MM AFTER ASSEMBLY.
 5. PANEL THICKNESS: 0.08 [0.030] - 3.96 [1.56], RECOMMENDED PANEL CUT OUT ON SHEET 3.
 6. SEE EPOXY-RPBE-XX FOR CURING INSTRUCTIONS.
 7. PARTS TO BE OVEN CURED AT 200°C FOR 10 MINUTES.
 8. SEALING O-RING IS INCLUDED WITH MS-632-375-P-P-S.
 9. ALL PARTS MUST BE PACKAGED IN TUBES.
 10. REQUIRED TORQUE ON MS-632-375-P-P-S FOR RPBE-01-01-E: 0.32Nm±0.07 [45IN-OZ±10] FOR RPBE-02-01-E: 0.16Nm±0.04 [65IN-OZ±5]
 11. MEASURE O-RING IN THE CENTER OF THE PART.
 12. EPOXY TO SEAL/WICK AROUND ALL WALLS/CONTACT TAILS.
 13. OR-108-XX POSITION INDICATOR.

FIG 1 RPBE-01-01-E SHOWN

F:\DWG\MISC\MKTG\RPBE-XX-XX-X-MKT.SLDDRW

NO OF PORTS	"A"	"B"	"C"
-01	46.10 [1.815]	19.90 [0.783]	36.95 [1.455]
-02	67.10 [2.642]	40.90 [1.610]	57.95 [2.281]

UNLESS OTHERWISE SPECIFIED, DIMENSIONS ARE IN MILLIMETERS. TOLERANCES ARE:
DECIMALS ANGLES
X.X: ±0.3 [0.1] 2°
X.XX: ±0.13 [0.05]
X.XXX: ±0.051 [0.020]

PROPRIETARY NOTE
THIS DOCUMENT CONTAINS INFORMATION CONFIDENTIAL AND PROPRIETARY TO SAMTEC, INC. AND SHALL NOT BE REPRODUCED OR TRANSFERRED TO OTHER DOCUMENTS OR DISCLOSED TO OTHERS OR USED FOR ANY PURPOSE OTHER THAN THAT WHICH IT WAS OBTAINED WITHOUT THE EXPRESSED WRITTEN CONSENT OF SAMTEC, INC.

samtec
520 PARK EAST BLVD, NEW ALBANY, IN 47150
PHONE: 812-944-6733 FAX: 812-948-5047
e-Mail: info@SAMTEC.com code 53322

MATERIAL: DO NOT SCALE DRAWING SHEET SCALE: 3:2
INSULATOR: LCP, COLOR: BLACK
CONTACT: PHOS BRONZE
SEAL: NBR
SHIELD: COPPER ALLOY
SCREW: STAINLESS STEEL
NUT: STAINLESS STEEL
O-RING: SILICONE
EPOXY: DIELECTRIC SILICON

DESCRIPTION:
SEAL RECTANGULAR ETHERNET
DWG. NO.
RPBE-XX-XX-X
BY: T NEWTON 11/17/2009 SHEET 1 OF 4

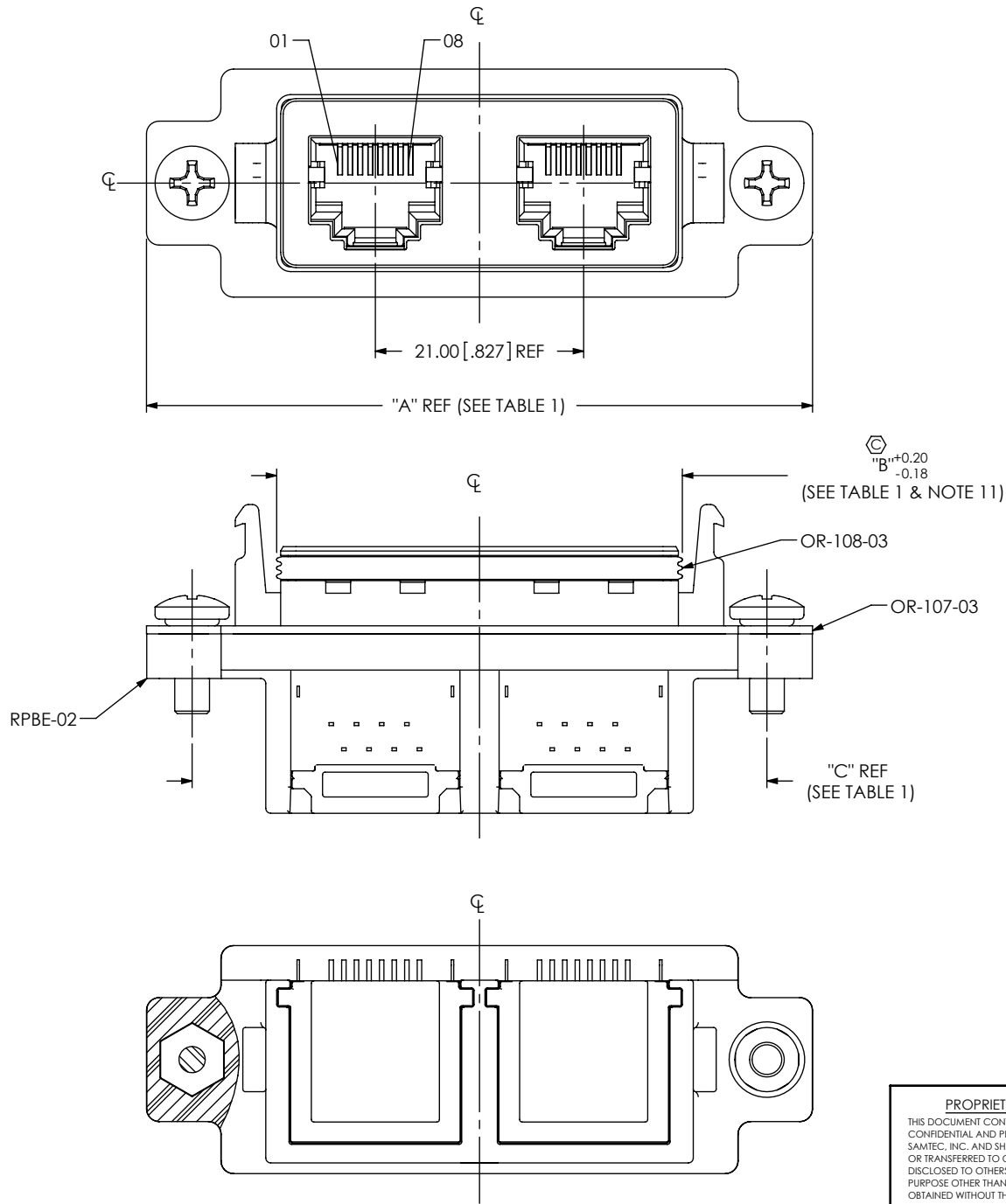


FIG 2
 RPBE-02-01-E SHOWN
 (SAME AS FIG 1, EXCEPT AS SHOWN)

PROPRIETARY NOTE
 THIS DOCUMENT CONTAINS INFORMATION
 CONFIDENTIAL AND PROPRIETARY TO
 SAMTEC, INC. AND SHALL NOT BE REPRODUCED
 OR TRANSFERRED TO OTHER DOCUMENTS OR
 DISCLOSED TO OTHERS OR USED FOR ANY
 PURPOSE OTHER THAN THAT WHICH IT WAS
 OBTAINED WITHOUT THE EXPRESSED WRITTEN
 CONSENT OF SAMTEC, INC.

DO NOT SCALE DRAWING

SHEET SCALE: 1.75:1

samtec

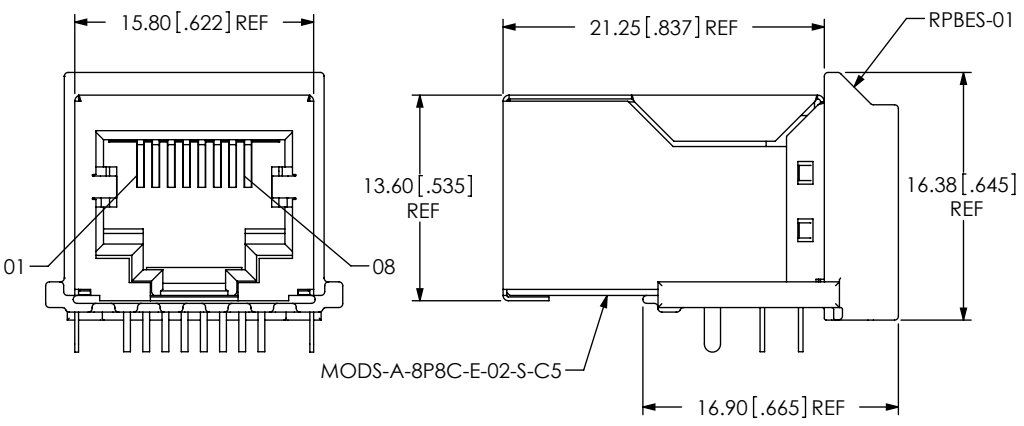
520 PARK EAST BLVD, NEW ALBANY, IN 47150
 PHONE: 812-944-6733 FAX: 812-948-5047
 e-Mail: info@SAMTEC.com code 55322

DESCRIPTION: SEAL RECTANGULAR ETHERNET

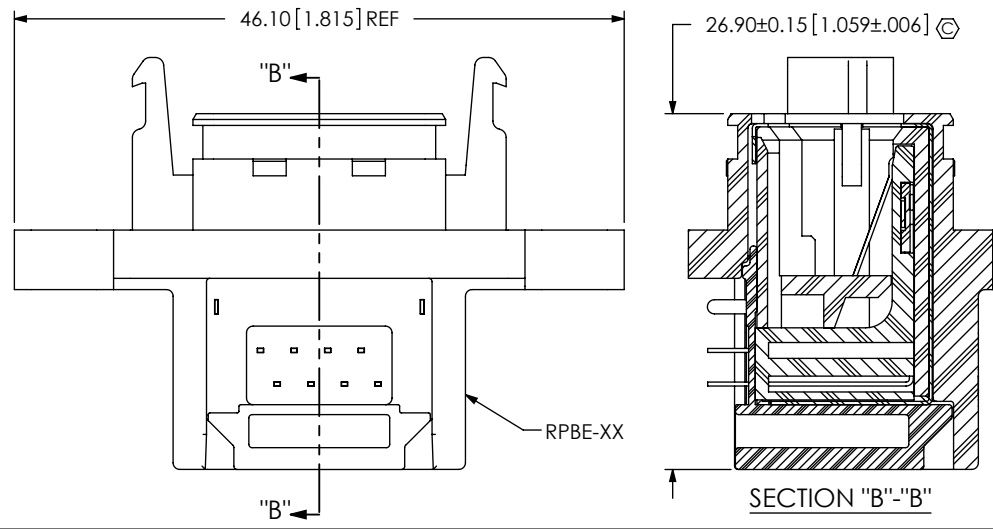
DWG. NO. RPBE-XX-XX-X

BY: T NEWTON 11/17/2009 SHEET 2 OF 4

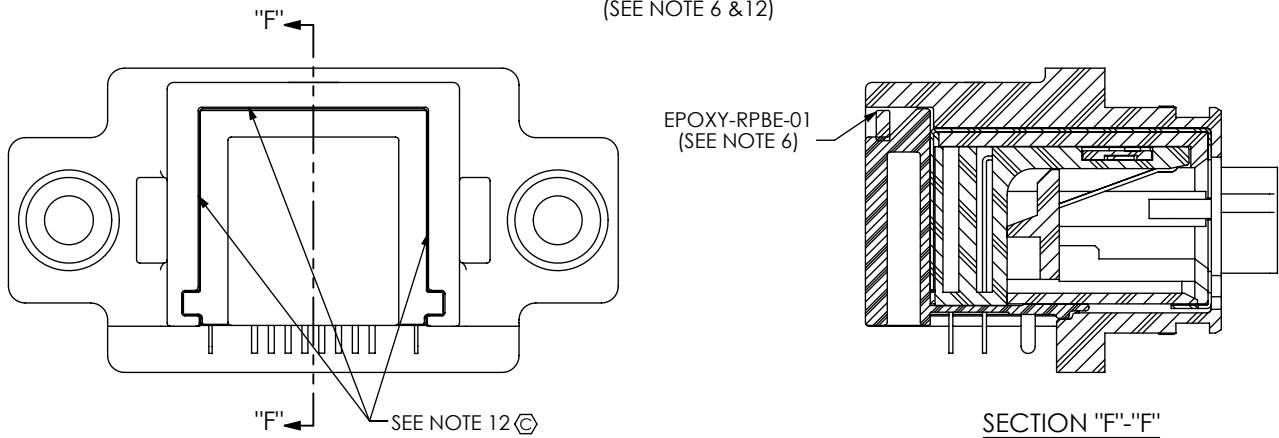
IN-PROCESS 1
FILL RPBE-01



IN-PROCESS 2
ADD RPBE-XX



IN-PROCESS 3
ADD & CURE EPOXY-RPBE-01
(SEE NOTE 6 & 12)



RECOMMENDED PANEL CUT OUT
(SEE NOTE 5)

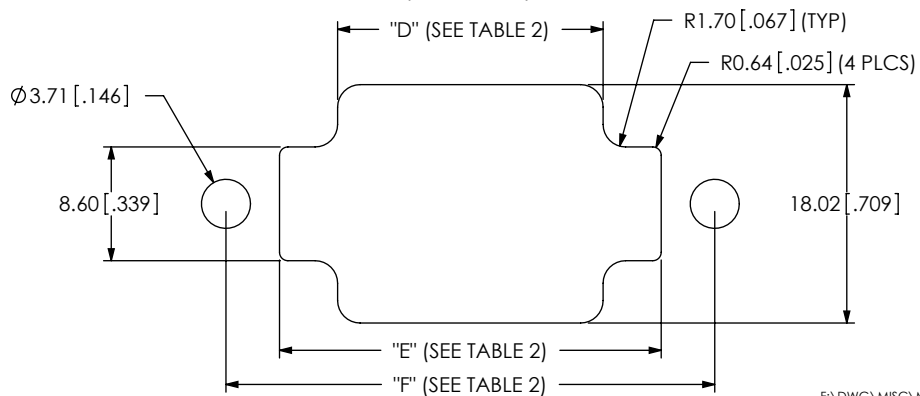


TABLE 2

NO OF PORTS	"D"	"E"	"F"
-01	20.07 [0.790]	28.85 [1.136]	36.95 [1.455]
-02	41.07 [1.617]	49.85 [1.963]	57.95 [2.281]

PROPRIETARY NOTE

THIS DOCUMENT CONTAINS INFORMATION CONFIDENTIAL AND PROPRIETARY TO SAMTEC, INC. AND SHALL NOT BE REPRODUCED OR TRANSFERRED TO OTHER DOCUMENTS OR DISCLOSED TO OTHERS OR USED FOR ANY PURPOSE OTHER THAN THAT WHICH IT WAS OBTAINED WITHOUT THE EXPRESSED WRITTEN CONSENT OF SAMTEC, INC.

DO NOT SCALE DRAWING

SHEET SCALE: 1:75:1



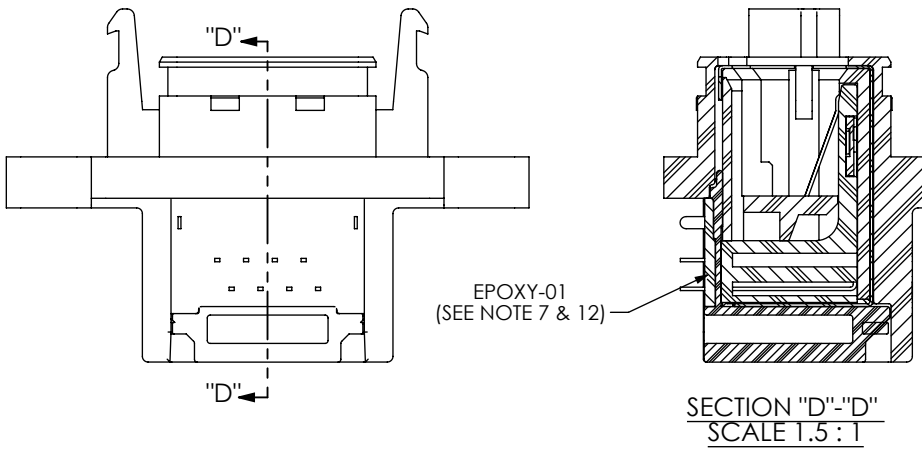
520 PARK EAST BLVD, NEW ALBANY, IN 47150
PHONE: 812-944-6733 FAX: 812-948-5047
e-Mail: info@SAMTEC.com code 55322

DESCRIPTION: SEAL RECTANGULAR ETHERNET

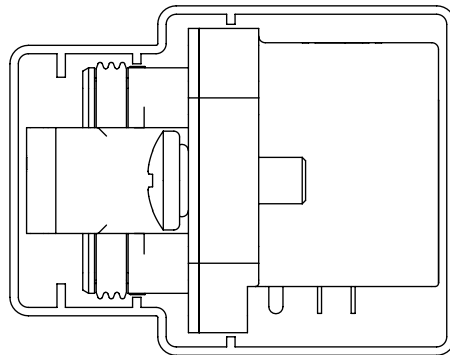
DWG. NO. RPBE-XX-XX-X

BY: T NEWTON 11/17/2009 SHEET 3 OF 4

IN-PROCESS 4
 FILL EPOXY-01
 (SEE NOTE 7 & 12)

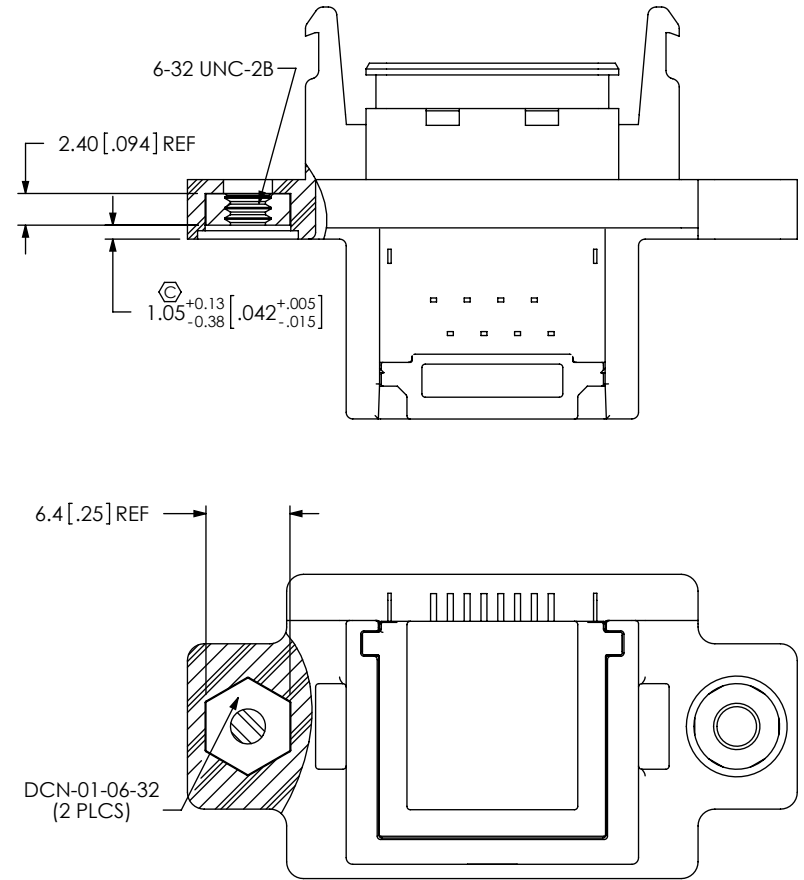


PACKAGING VIEW
 (SEE NOTE 9)



TUBE: PT-RPBE001
 PLUG: TP-50

IN-PROCESS 5
 FILL DCN-01-06-32 & HEAT STAKE



PROPRIETARY NOTE
 THIS DOCUMENT CONTAINS INFORMATION
 CONFIDENTIAL AND PROPRIETARY TO
 SAMTEC, INC. AND SHALL NOT BE REPRODUCED
 OR TRANSFERRED TO OTHER DOCUMENTS OR
 DISCLOSED TO OTHERS OR USED FOR ANY
 PURPOSE OTHER THAN THAT WHICH IT WAS
 OBTAINED WITHOUT THE EXPRESSED WRITTEN
 CONSENT OF SAMTEC, INC.

DO NOT SCALE DRAWING
 SHEET SCALE: 1.75:1

samtec

520 PARK EAST BLVD, NEW ALBANY, IN 47150
 PHONE: 812-944-6733 FAX: 812-948-5047
 e-Mail info@SAMTEC.com code 55322

DESCRIPTION: SEAL RECTANGULAR ETHERNET

DWG. NO. RPBE-XX-XX-X

BY: T NEWTON 11/17/2009 SHEET 4 OF 4