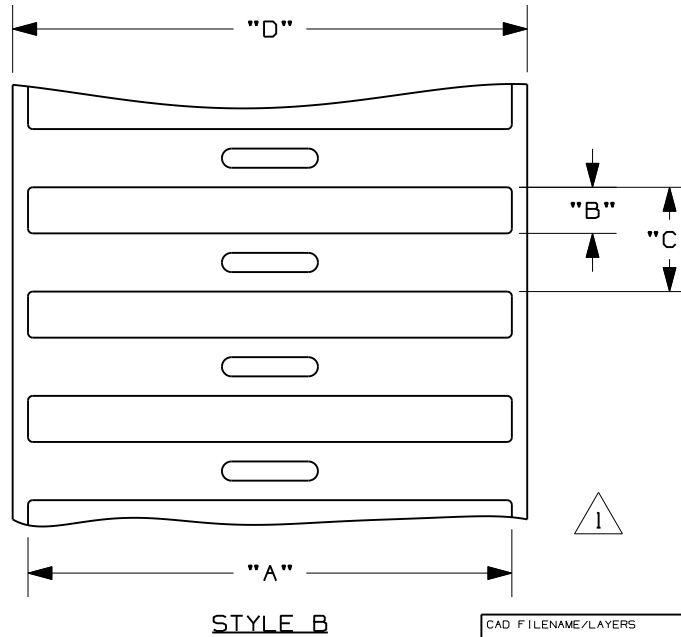
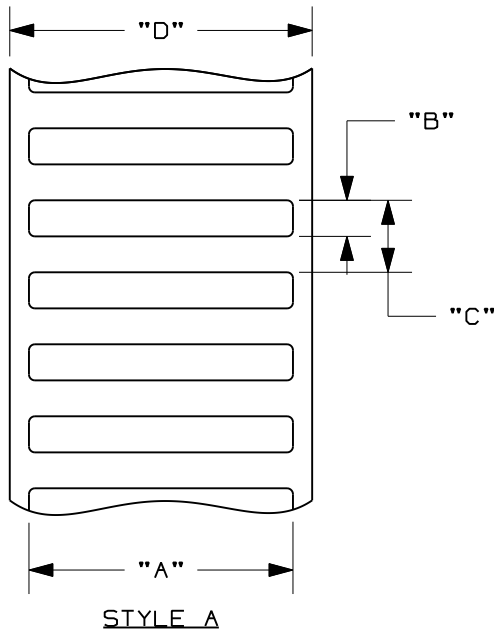


THIS COPY IS PROVIDED ON A RESTRICTED BASIS AND IS NOT TO BE USED IN ANY WAY DETRIMENTAL TO THE INTERESTS OF PANDUIT CORP.

PART NO.	MATERIAL	"A" +/- .06	"B" +/- .06	"C" +/- .06	"D" +/- .06	COLOR	LABELS PER ROW	LABELS PER ROLL	STYLE
C138X019YPT	GMY3	1.375 [34.93]	0.188 [4.78]	0.375 [9.52]	1.58 [40.00]	WHITE	1	2500	A
C138X019YOT	GMY3	1.375 [34.93]	0.188 [4.78]	0.375 [9.52]	1.58 [40.00]	BLACK	1	2500	A
C188X030YPT	GMY3	1.875 [47.62]	0.300 [7.62]	0.425 [10.80]	2.20 [55.88]	WHITE	1	2500	A
C252X030YPT	GMY3	2.520 [64.01]	0.300 [7.62]	0.425 [10.80]	2.72 [69.09]	WHITE	1	2500	A
C261X030YPT	GMY3	2.610 [66.29]	0.300 [7.62]	0.500 [12.70]	3.00 [46.20]	WHITE	1	2500	A
C288X030YPT	GMY3	2.875 [73.02]	0.300 [7.62]	0.425 [10.80]	3.08 [78.10]	WHITE	1	2500	A
C315X030YPT	GMY3	3.150 [80.01]	0.300 [7.62]	0.679 [17.25]	3.35 [85.09]	WHITE	1	2500	B
C379X030YPT	GMY3	3.790 [96.27]	0.300 [7.62]	0.425 [10.80]	3.99 [101.35]	WHITE	1	2500	A



NOTES:

1. ALL LABELS TO BE EQUALLY SPACED AS SHOWN.
2. MILLIMETER ARE IN ().

CAD FILENAME/LAYERS 100472KG_DC_C10405/01B

PANDUIT CORP. TINLEY PARK, ILLINOIS

CUSTOMER DRAWING CxxxXxxxYxT
THERMAL TRANSFER PRINTABLE LABELS

UNLESS OTHERWISE SPECIFIED,
DIMENSIONAL TOLERANCES ARE:
(.X) ± .12 (.XXX) ± .025
(.XX) ± .06 ANGLES ±

UNLESS OTHERWISE SPECIFIED,
ALL DIMENSIONS ARE GIVEN
IN INCHES, THIRD ANGLE PROJECTION.

REV	DATE	BY	CHK	DESCRIPTION	ECN	R	CUST	SUP
I	2/10/09	RVU		ADD STYLE B AND TABLE. ADD +/- .06.	5670	R		
O	5/25/07	RVU		FOR PART NO., C261X030YPT, "C" DIM. WAS .425. "D" DIM. WAS 2.86.	5022	R		
A	9-11-06	RVU		DRAWING RELEASED.	4670	R		

DRAWN BY
RVU
DATE
4-3-06
CHK'D

MAT'L:
SEE TABLE

SCALE
NTS
DRAWING NO.
C10405
DWG
A
SIZE