



# ±15V Digitally Programmable Precision Voltage-Dividers for PGAs

## General Description

The MAX5430/MAX5431 are digitally programmable high-precision resistor arrays for PGAs. The MAX5430/MAX5431 operate from a single 15V supply or dual ±15V supplies, and consume only 35µA supply current. These devices are intended for programmable-gain amplifier (PGA) applications and consist of fixed resistor-dividers. Each device has digitally controlled contacts with four precision noninverting gains of 1, 2, 4, and 8 with ratio accuracy of 0.025% (MAX5430A/MAX5431A), 0.09% (MAX5430B/MAX5431B), or 0.5% (MAX5430C/MAX5431C). The MAX5431 includes an on-chip matching resistor for op amp input bias-current compensation.

The MAX5430/MAX5431 are available in space-saving 8-pin SOT23 and 10-pin µMAX® packages, and specified over the extended temperature range of (-40°C to +85°C).

## Applications

General-Purpose Programmable Noninverting Amplifier

Programmable Instrumentation Amplifier

## Features

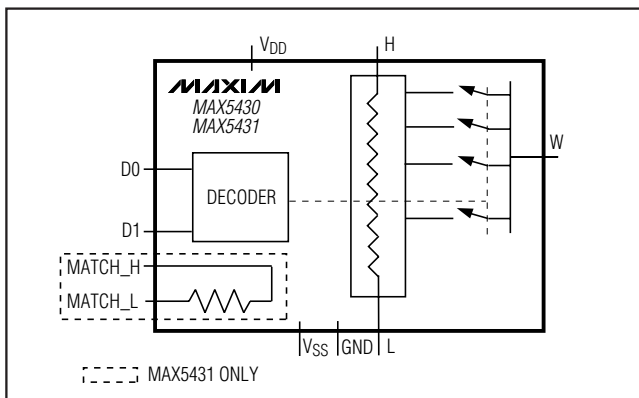
- ◆ Four Noninverting PGA Gain Configurations:  $A_V = 1, 2, 4, \text{ and } 8$
- ◆ Precision 0.025% Ratio Accuracy
- ◆ On-Chip Matching Resistor for Op Amp Bias-Current Compensation (MAX5431)
- ◆ Single-Supply +12V to +15V, or Dual-Supply ±12V to ±15V Operation
- ◆ Low 35µA Supply Current
- ◆ CMOS/TTL Logic Compatible 2-Wire Parallel Interface
- ◆ Space-Saving 8-Pin SOT23 and 10-Pin µMAX Packages
- ◆ +3V Logic Compatibility

MAX5430/MAX5431

## Ordering Information

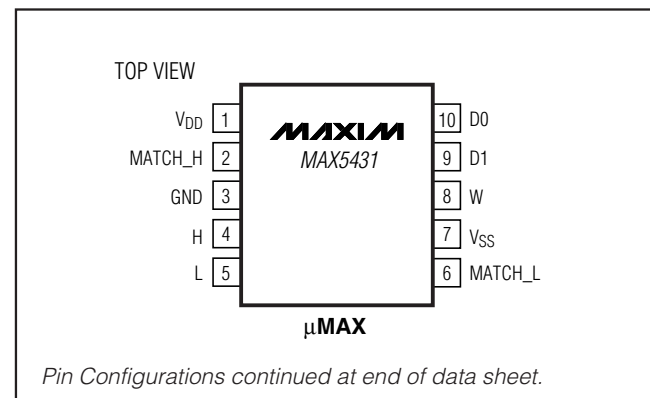
PART	TEMP RANGE	PIN-PACKAGE	GAIN ACCURACY
MAX5430AEKA	-40°C to +85°C	8 SOT23	0.025%
MAX5430BEKA	-40°C to +85°C	8 SOT23	0.09%
MAX5430CEKA	-40°C to +85°C	8 SOT23	0.5%
MAX5431AEUB	-40°C to +85°C	10 µMAX	0.025%
MAX5431BEUB	-40°C to +85°C	10 µMAX	0.09%
MAX5431CEUB	-40°C to +85°C	10 µMAX	0.5%

## Functional Diagram



µMax is a registered trademark of Maxim Integrated Products, Inc.

## Pin Configurations



# ±15V Digitally Programmable Precision Voltage-Dividers for PGAs

## ABSOLUTE MAXIMUM RATINGS

V <sub>DD</sub> to GND .....	-0.3V to +17V
V <sub>SS</sub> to GND .....	-17V to +0.3V
D0, D1 to GND .....	-0.3V to +6V
H, L, W, MATCH_ to GND .....	(V <sub>SS</sub> - 0.3V) to (V <sub>DD</sub> + 0.3V)
Current Into Any Signal Pin .....	±50mA
Continuous Power Dissipation (T <sub>A</sub> = +70°C)	
8-Pin SOT23 (derate 8.9mW/°C above +70°C) .....	714mW
10-Pin μMAX (derate 10.3mW/°C above +70°C) .....	825mW

Operating Temperature Range .....	-40°C to +85°C
Storage Temperature Range .....	-60°C to +150°C
Junction Temperature .....	+150°C
Lead Temperature (soldering, 10s) .....	+300°C

Stresses beyond those listed under "Absolute Maximum Ratings" may cause permanent damage to the device. These are stress ratings only, and functional operation of the device at these or any other conditions beyond those indicated in the operational sections of the specifications is not implied. Exposure to absolute maximum rating conditions for extended periods may affect device reliability.

## ELECTRICAL CHARACTERISTICS

(V<sub>DD</sub> = +15V, V<sub>SS</sub> = -15V, GND = 0, T<sub>A</sub> = T<sub>MIN</sub> to T<sub>MAX</sub>. Typical values are at T<sub>A</sub> = +25°C, unless otherwise noted.) (Note 1)

PARAMETER	SYMBOL	CONDITIONS	MIN	TYP	MAX	UNITS
<b>DC PERFORMANCE</b>						
Divider Ratio Accuracy (Note 2)		V <sub>H</sub> = +5V, V <sub>L</sub> = -5V	MAX543_A		0.025	%
			MAX543_B		0.09	
			MAX543_C		0.5	
Resistance between H and L (Figure 1)	R <sub>H/L</sub>			57		kΩ
Capacitance at Analog Pins	C <sub>ANALOG</sub>			2		pF
Matching Resistor		Ratio = 1		0.5		kΩ
		Ratio = 2, 4, 8		14		
Wiper Resistance	R <sub>W</sub>	Ratio = 1		0.5		kΩ
		Ratio = 2, 4, 8		14		
W, H, L, MATCH_H, MATCH_L Voltage Range	V <sub>ANALOG</sub>		V <sub>SS</sub>		V <sub>DD</sub>	V
<b>DIGITAL INPUTS</b>						
Input High Voltage	V <sub>IH</sub>		2.4			V
Input Low Voltage	V <sub>IL</sub>				0.8	V
Input Leakage Current		D0, D1 = 5V or GND			±1	μA
Input Capacitance	C <sub>IN</sub>			5		pF
<b>POWER REQUIREMENTS</b>						
Negative Supply Current	I <sub>SS</sub>			1	25	μA
Positive Supply Current	I <sub>DD</sub>			35	60	μA
Positive Power-Supply Voltage	V <sub>DD</sub>		10.8		15.75	V
Negative Power-Supply Voltage	V <sub>SS</sub>		-15.75		0	V
<b>DYNAMIC PERFORMANCE</b>						
Switching Time	t <sub>D2W</sub> , t <sub>H2W</sub>			0.3		μs

**Note 1:** All devices are 100% production tested at T<sub>A</sub> = +25°C. SOT23 packages are guaranteed by design from T<sub>A</sub> = T<sub>MIN</sub> to T<sub>MAX</sub>.

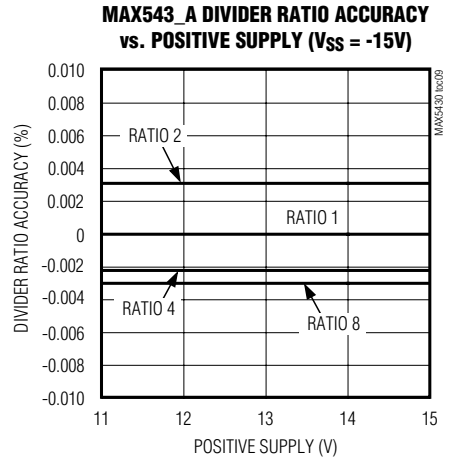
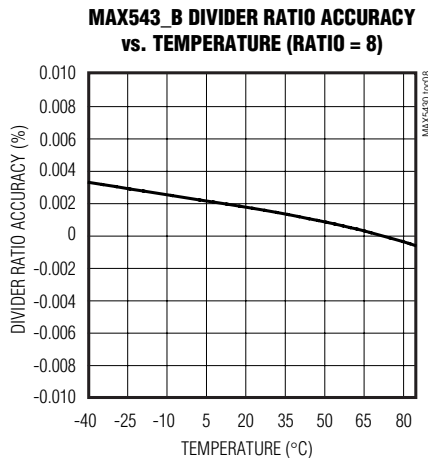
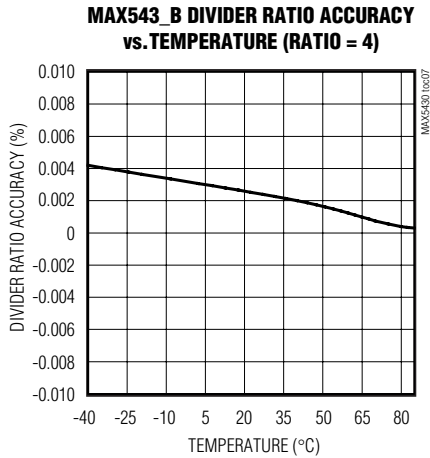
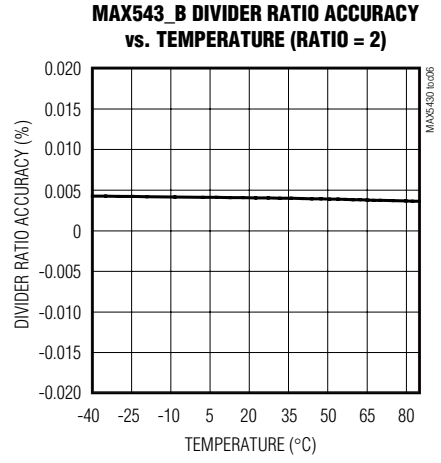
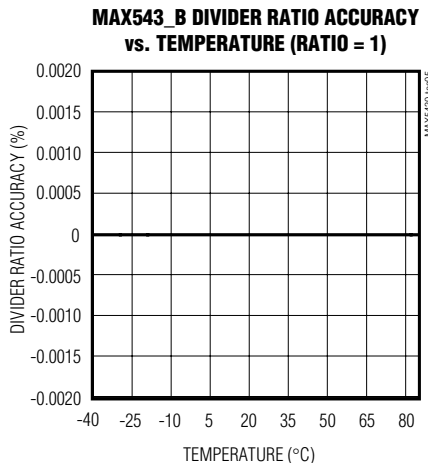
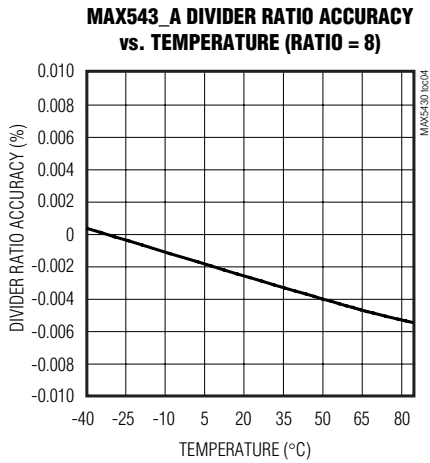
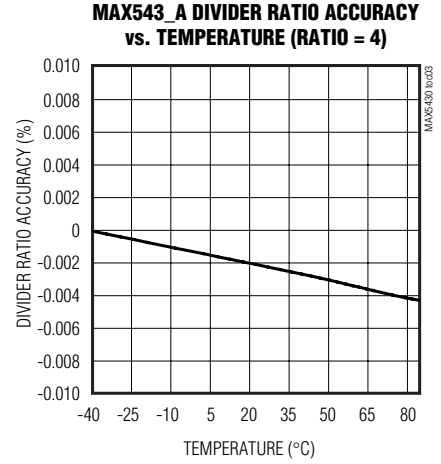
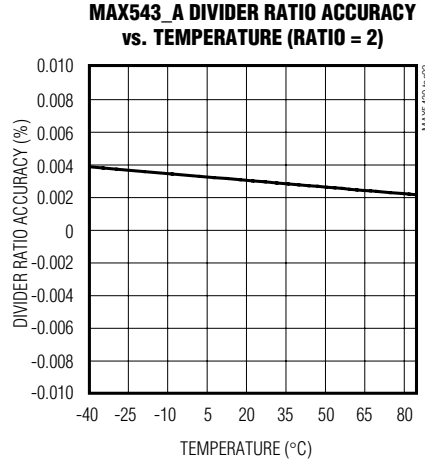
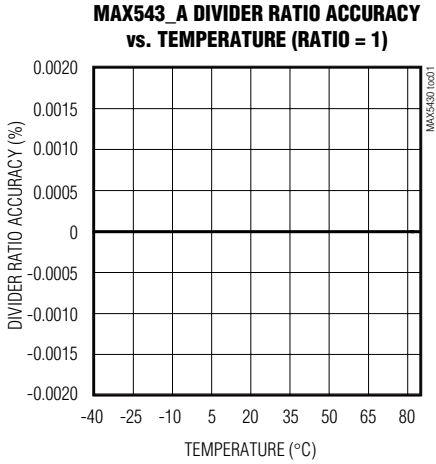
**Note 2:** Gain accuracy is measured without load at pin W.

# ±15V Digitally Programmable Precision Voltage-Dividers for PGAs

## Typical Operating Characteristics

(V<sub>DD</sub> = +15V, V<sub>SS</sub> = -15V or V<sub>SS</sub> = GND, V<sub>H</sub> = 5V, V<sub>L</sub> = -5V, T<sub>A</sub> = 25°C, unless otherwise noted.) (Note 3)

**MAX5430/MAX5431**

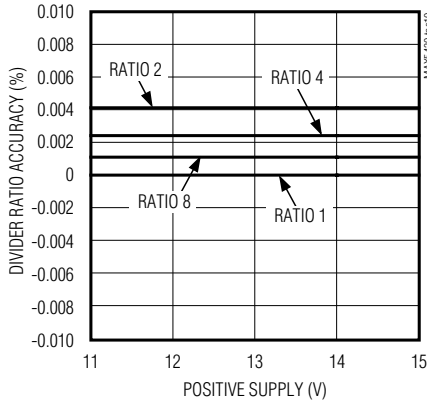


# **±15V Digitally Programmable Precision Voltage-Dividers for PGAs**

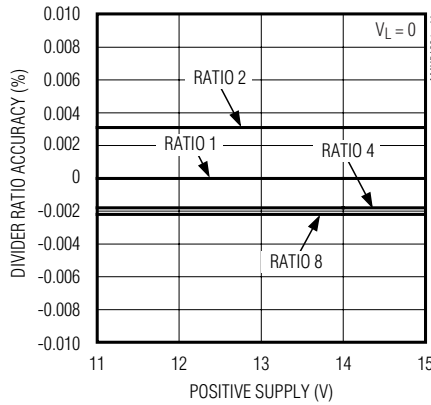
## **Typical Operating Characteristics (continued)**

(V<sub>DD</sub> = +15V, V<sub>SS</sub> = -15V or V<sub>SS</sub> = GND, V<sub>H</sub> = 5V, V<sub>L</sub> = -5V, T<sub>A</sub> = 25°C, unless otherwise noted.) (Note 3)

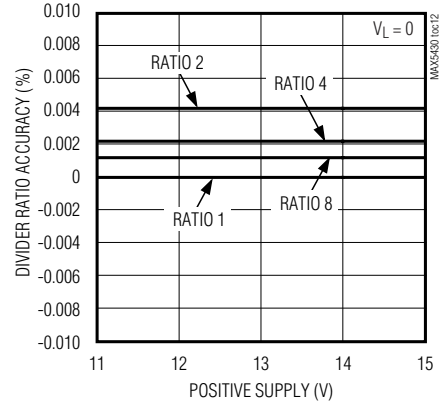
**MAX543\_B DIVIDER RATIO ACCURACY vs. POSITIVE SUPPLY (V<sub>SS</sub> = -15V)**



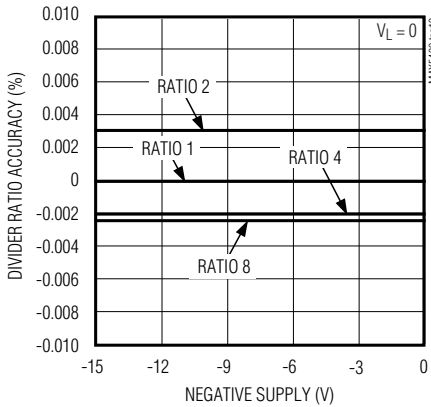
**MAX543\_A DIVIDER RATIO ACCURACY vs. POSITIVE SUPPLY (V<sub>SS</sub> = 0V)**



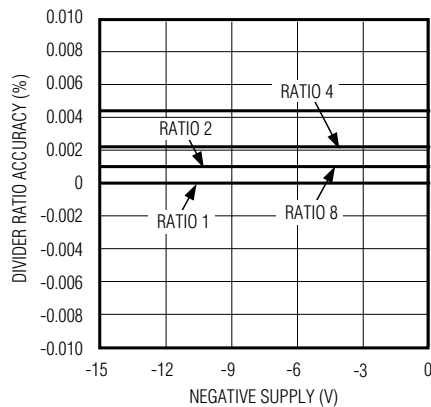
**MAX543\_B DIVIDER RATIO ACCURACY vs. POSITIVE SUPPLY (V<sub>SS</sub> = 0V)**



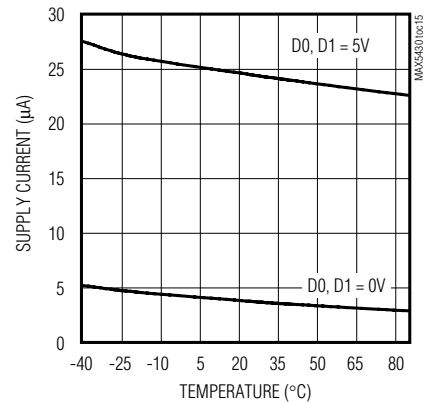
**MAX543\_A DIVIDER RATIO ACCURACY vs. NEGATIVE SUPPLY**



**MAX543\_B DIVIDER RATIO ACCURACY vs. NEGATIVE SUPPLY**



**SUPPLY CURRENT vs. TEMPERATURE**



**Note 3:** For MAX543\_C accuracy Typical Operating Characteristics, refer to MAX543\_B accuracy Typical Operating Characteristics.

# ±15V Digitally Programmable Precision Voltage-Dividers for PGAs

## Pin Description

MAX5430/MAX5431

PIN		NAME	FUNCTION
MAX5431	MAX5430		
1	8	V <sub>DD</sub>	Positive Power Supply
2	—	MATCH_H	Matching Resistor High Terminal
3	7	GND	Ground
4	6	H	High Terminal of Resistive-Divider
5	5	L	Low Terminal of Resistive-Divider
6	—	MATCH_L	Matching Resistor Low Terminal
7	4	V <sub>SS</sub>	Negative Power Supply
8	3	W	Wiper Terminal of Resistive-Divider
9	2	D1	Second Bit Digital Input (MSB) (Table 1)
10	1	D0	First Bit Digital Input (LSB) (Table 1)

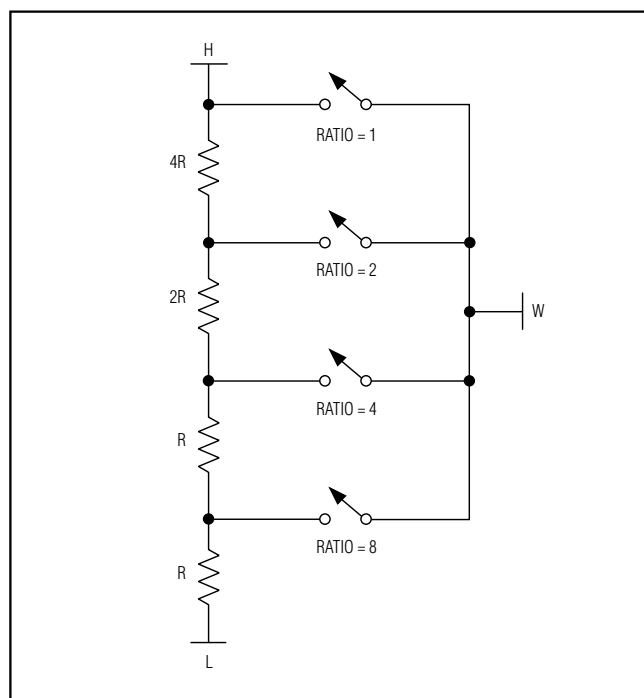


Figure 1. Simplified Functional Diagram

### Detailed Description

The MAX5430/MAX5431 are digitally programmable precision resistor arrays. These devices have fixed resistor-dividers with digitally controlled contacts, providing four precision noninverting gains of 1, 2, 4, and 8 for PGA applications (see *Functional Diagram* and Figure 1). The MAX5430/MAX5431 achieve ratio accuracies of 0.025%

(MAX5430A/MAX5431A), 0.09% (MAX5430B/MAX5431B), or 0.5% (MAX5430C/MAX5431C).

The end-to-end resistance from H to L is 57kΩ. The impedance seen at W is designed to be the same 14kΩ for gain settings 2, 4, and 8, ensuring excellent op amp input-resistance balance, regardless of gain setting. In a gain of 1 configuration, H is internally connected to W with a typical resistance of 500Ω.

### Matching Resistor (MAX5431)

The MAX5431 includes a matching resistor to compensate the offset voltage due to the input bias current of the op amp. The resistance from MATCH\_H to MATCH\_L is a fixed matching resistor, equal to the resistance seen at W for gains of 2, 4, and 8. In the gain of 1, an internal switch short circuits MATCH\_H and MATCH\_L. This internal switch matches the impedance of the switch between H and W.

Table 1. Logic-Control Truth Table

DIGITAL INPUTS		GAIN
D1	D0	
0	0	1
0	1	2
1	0	4
1	1	8

# ±15V Digitally Programmable Precision Voltage-Dividers for PGAs

## Digital Interface Operation

The MAX5430/MAX5431 feature a simple two-bit parallel programming interface. D1 and D0 program the gain setting according to the *Logic-Control Truth Table* (see Table 1). The digital interface is CMOS/TTL logic compatible.

## Applications Information

### Programmable-Gain Amplifier

The MAX5430/MAX5431 are ideally suited for high-precision PGA applications. The typical application circuit of Figure 2 uses the MAX5431 with matching resistor to compensate for voltage offset due to op amp input bias currents. Use the MAX5430 with an ultra-low input bias current op amp (see Figure 3).

### Power Supplies and Bypassing

The MAX5430/MAX5431 operate from dual ±15V supplies or a single 15V supply. For dual supplies, bypass  $V_{DD}$  and  $V_{SS}$  with 0.1µF ceramic capacitors to GND. For single supply, connect  $V_{SS}$  to GND and bypass  $V_{DD}$  with a 0.1µF ceramic capacitor to GND.

### Switching Time and Layout Concerns

The switching time of the MAX5430/MAX5431 depends on the capacitive loading at W. For best performance, reduce parasitic board capacitance by minimizing the circuit board trace from W to the op amp inverting input, and choose an op amp with low input capacitance.

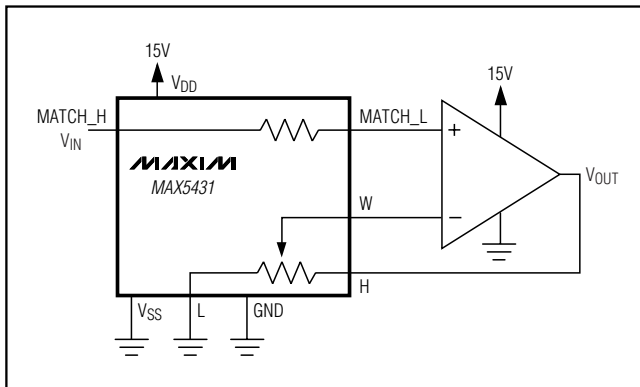


Figure 2. MAX5431 Typical Application Circuit PGA with Input IBIAS Matching

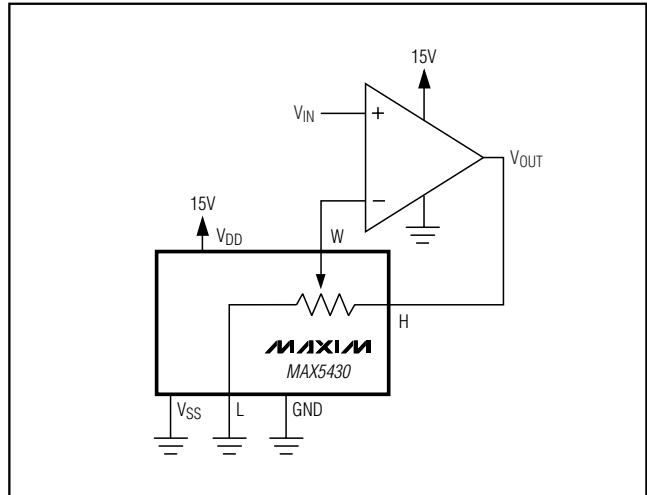
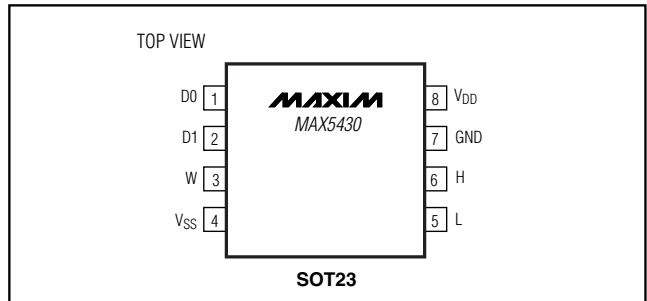


Figure 3. Programmable-Gain Amplifier Using the MAX5430

## Pin Configurations (continued)



## Chip Information

TRANSISTOR COUNT: 121

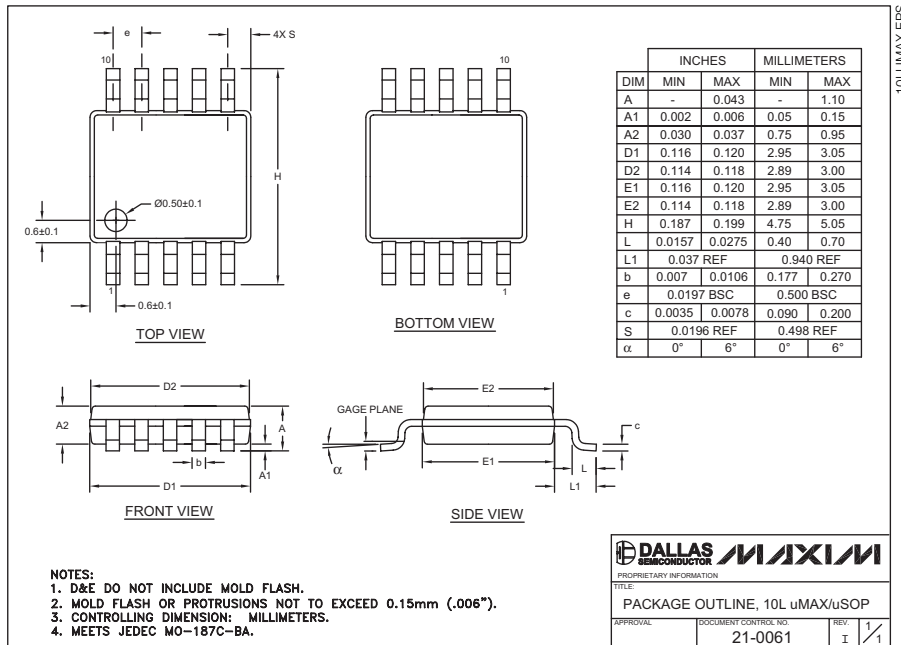
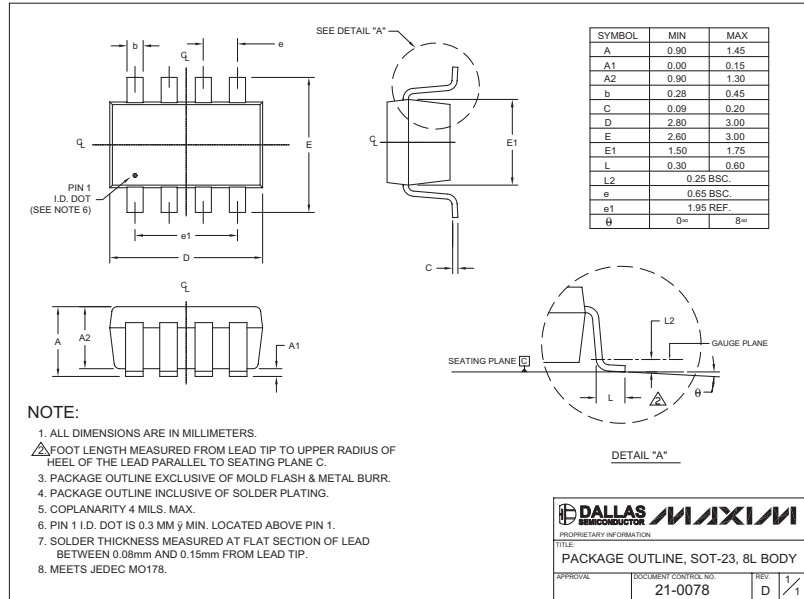
PROCESS: CMOS

# ±15V Digitally Programmable Precision Voltage-Dividers for PGAs

## Package Information

(The package drawing(s) in this data sheet may not reflect the most current specifications. For the latest package outline information, go to [www.maxim-ic.com/packages](http://www.maxim-ic.com/packages).)

MAX5430/MAX5431



Maxim cannot assume responsibility for use of any circuitry other than circuitry entirely embodied in a Maxim product. No circuit patent licenses are implied. Maxim reserves the right to change the circuitry and specifications without notice at any time.

Maxim Integrated Products, 120 San Gabriel Drive, Sunnyvale, CA 94086 408-737-7600 7