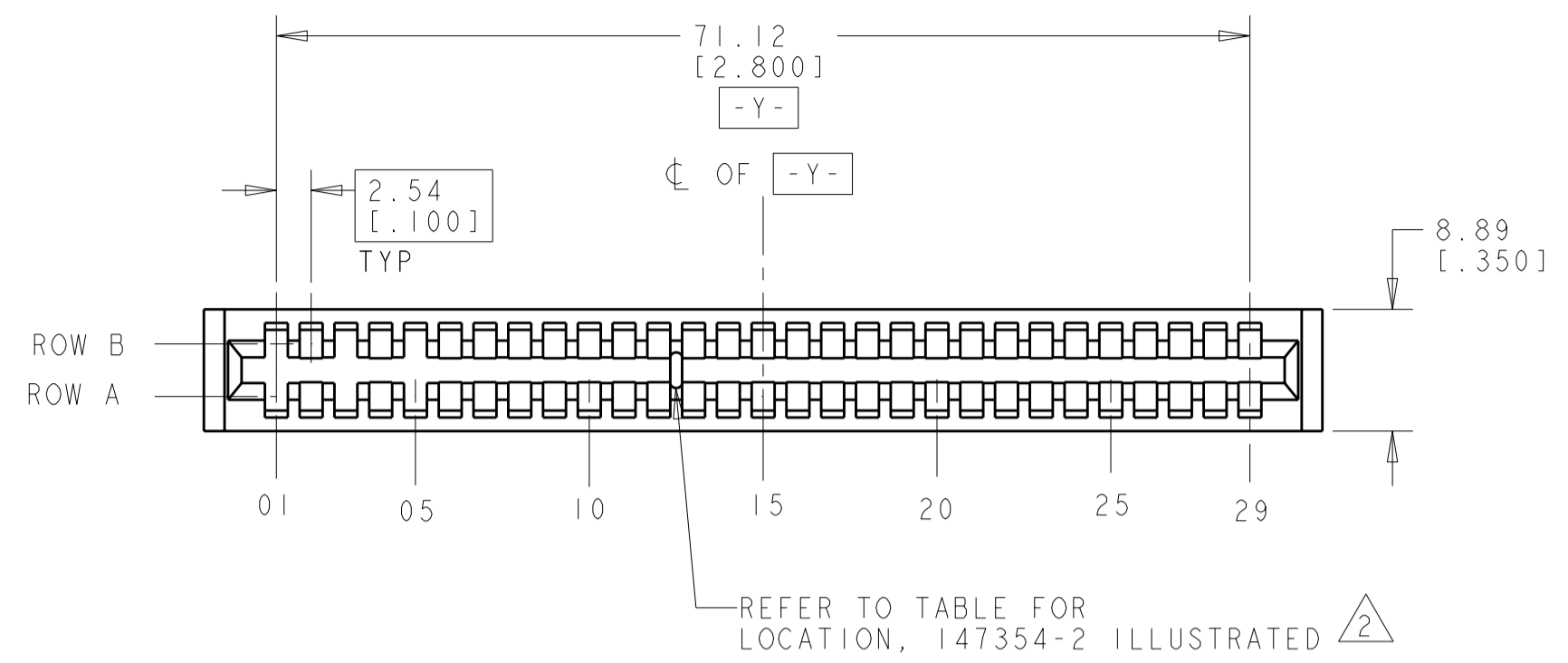
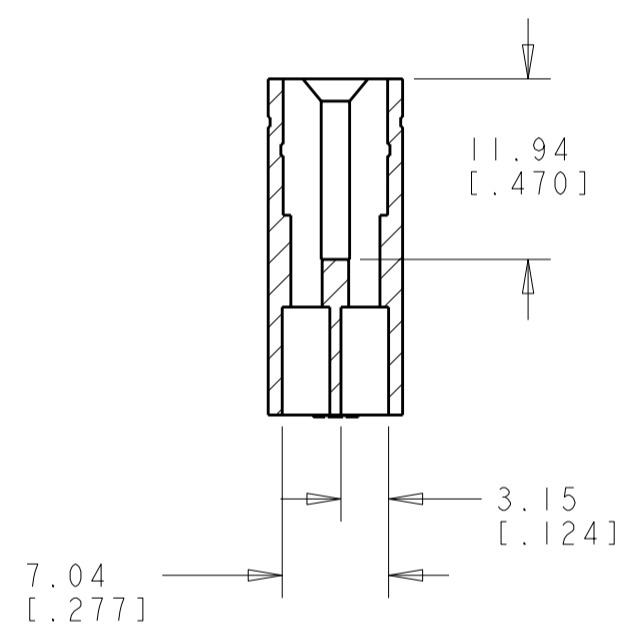
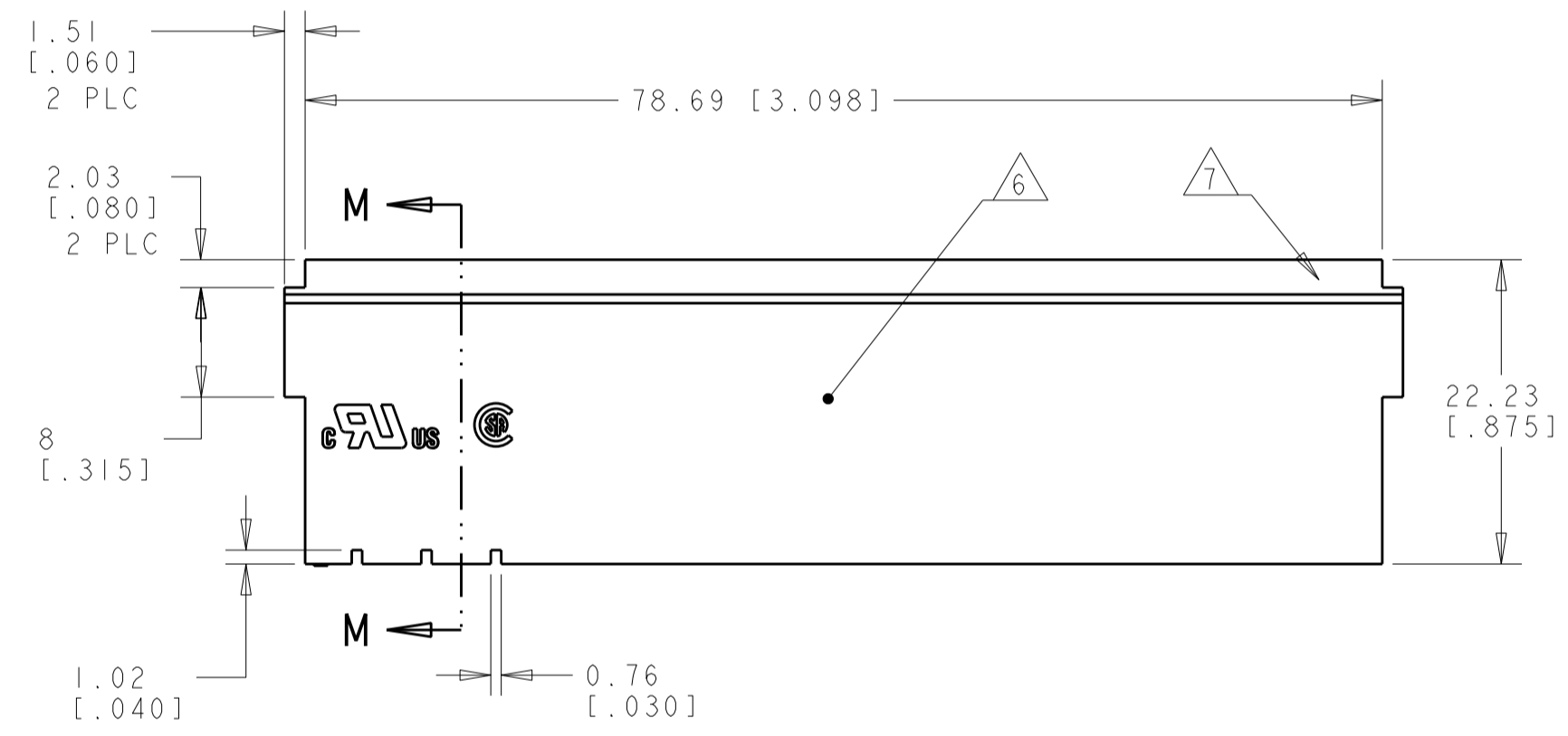


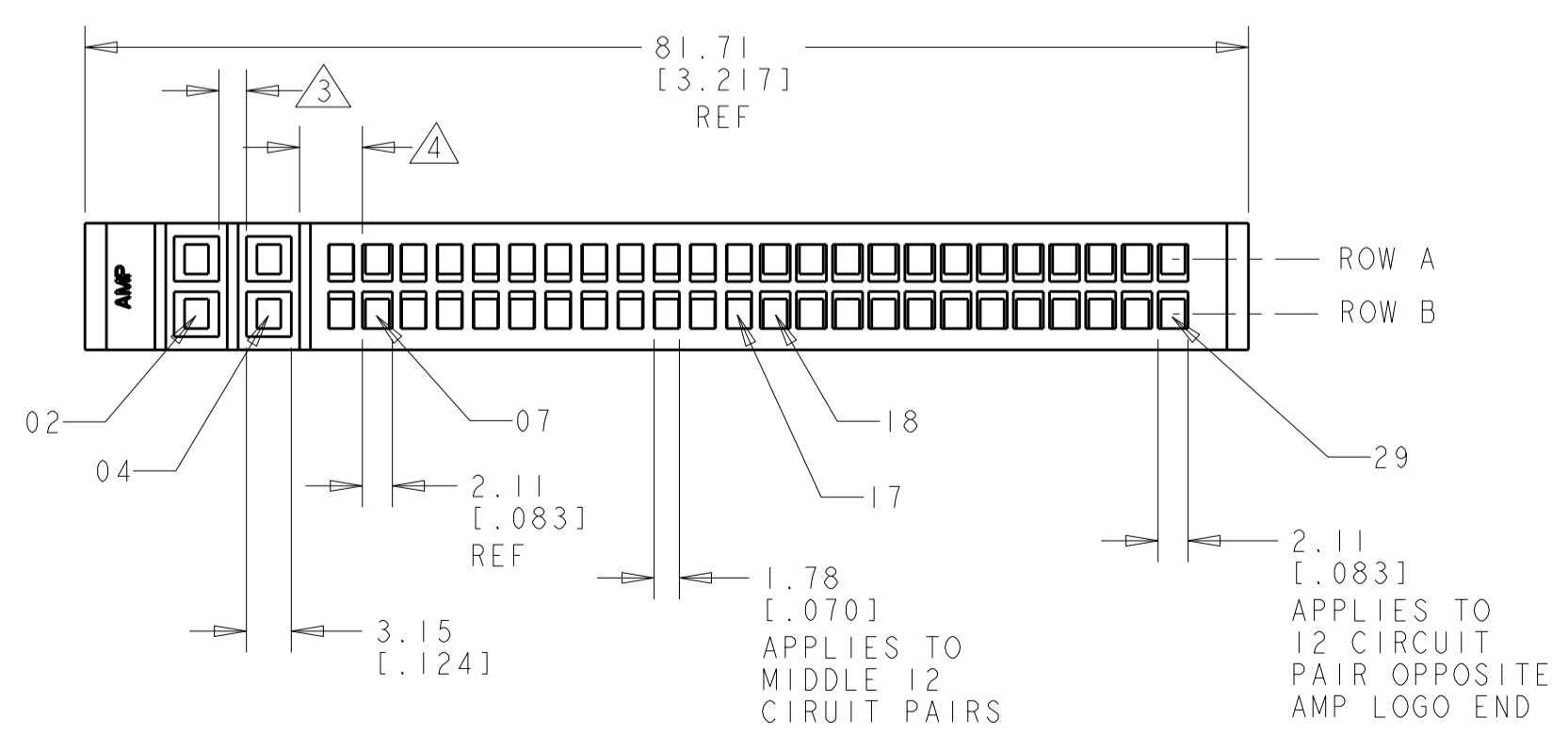
LOC	DIST	REVISIONS			
P	LTR	DESCRIPTION	DATE	DWN	APVD
AD	00				
	V	ADDED: -13 PER EC 0S1B-0114-01	19NOV2001	DD	NN
	VI	REVISED PER ECO-09-027197	10DEC2009	KK	AEG



- 1. HOUSING MATERIAL: GLASS FILLED POLYESTER, COLOR-BLACK.
- 2. SEE TABLE.
- 3. CREEPAGE DISTANCE = 3.3[.130].
- 4. CREEPAGE DISTANCE = 6.35[.250].
- 5. NOT RELEASED FOR PRODUCTION.
- 6. HOUSING PART NUMBER AND DATE CODE MARKED IN THIS AREA ON EITHER SIDE OF HOUSING.
- 7. OPTIONAL PULL GROOVE, SIZE AND LOCATION AT DISCRETION OF AMP.
- 8. OBSOLETE PARTS: OBSOLETE CIS STREAMLINING PER D.RENAUD/D.SINISI



SECTION M-M

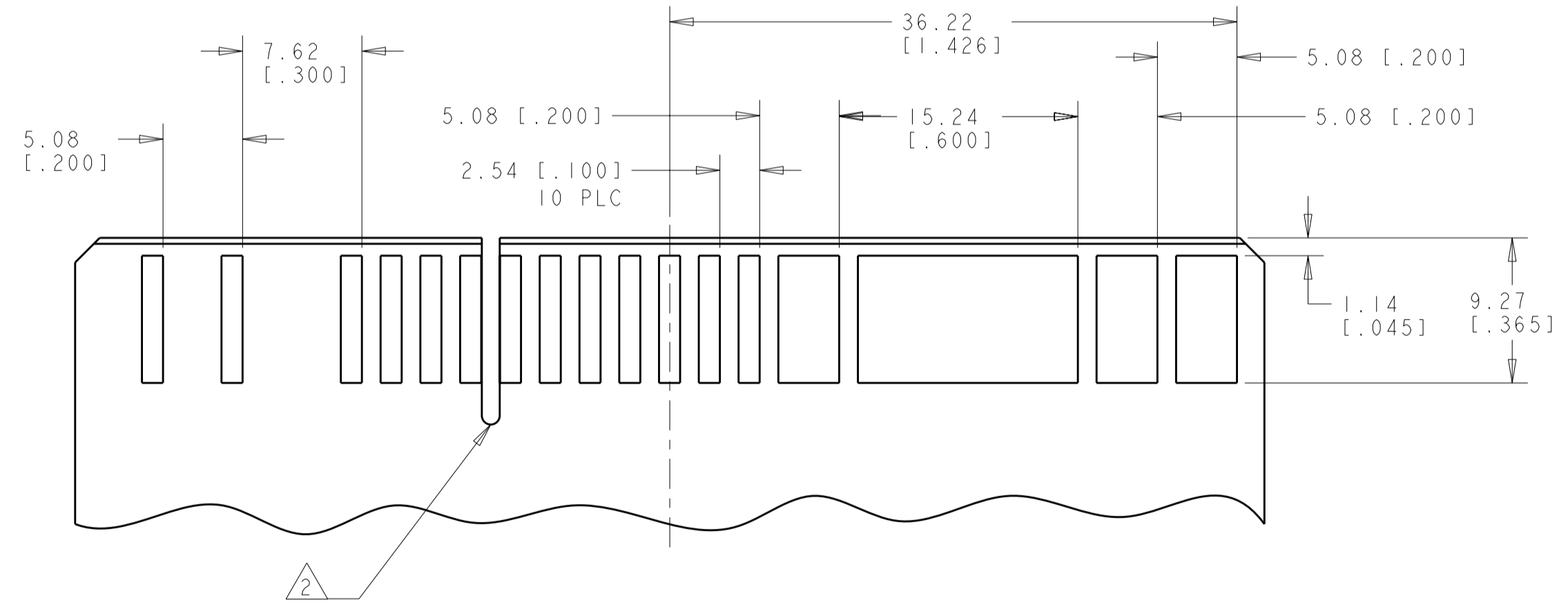
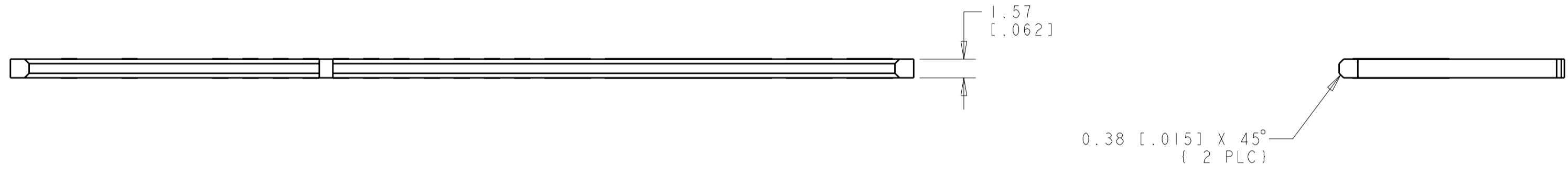
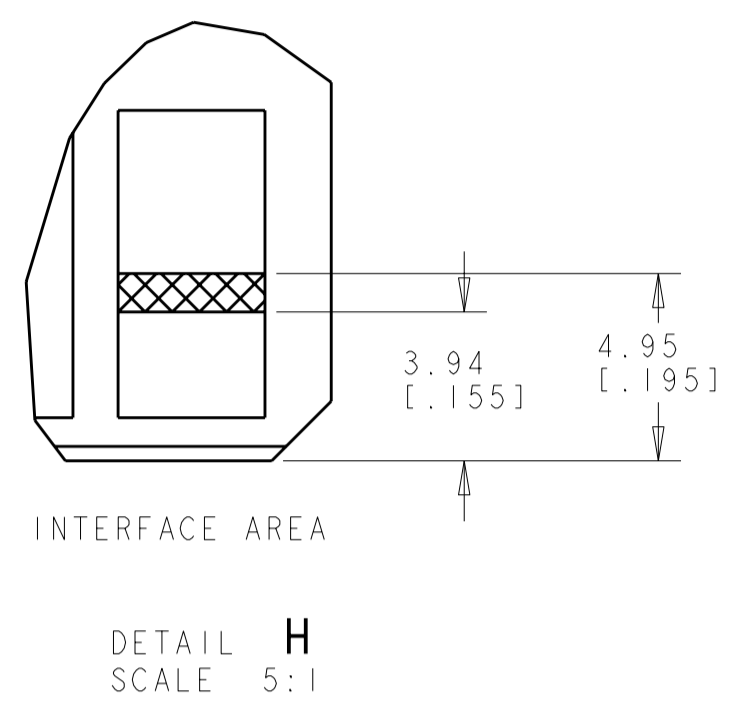
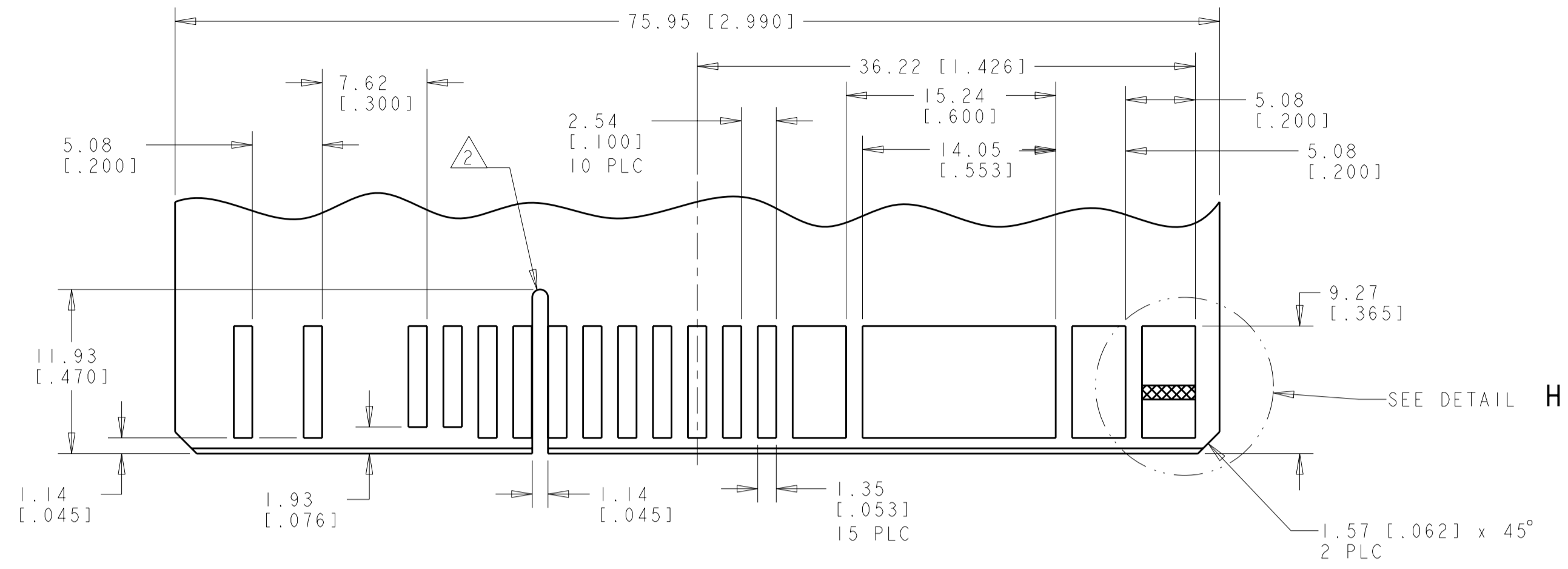


KEY POSITION LOCATED BETWEEN CIRCUITS	NO OF POSN	PART NUMBER	
5	18,19	29	1-147354-3
5	19,20	29	1-147354-2
5	17,18	29	1-147354-1
5	16,17	29	1-147354-0
	14,15	29	147354-8
	13,14	29	147354-7
	10,11	29	147354-6
	11,12	29	147354-5
8	8,9	29	147354-4
	15,16	29	147354-3
	12,13	29	147354-2
8	9,10	29	147354-1

THIS DRAWING IS A CONTROLLED DOCUMENT FOR TYCO ELECTRONICS CORPORATION IT IS SUBJECT TO CHANGE AND THE CONTROLLING ENGINEERING ORGANIZATION SHOULD BE CONTACTED FOR THE LATEST REVISION.		DWN B. HAYMAKER 09MAR2000	Tyco Electronics Corporation Harrisburg, PA 17105-3608	
DIMENSIONS: mm [INCHES]		CHK R. BENDORE 09MAR2000	NAME HOUSING, CRIMP SNAP TWIN LEAF, .100 CENTERLINE X	
TOLERANCES UNLESS OTHERWISE SPECIFIED: 0 PLC ± 1 PLC ± 2 PLC ±0.13[.005] 3 PLC ± 4 PLC ± ANGLES ± FINISH		APVD R. BENDORE 09MAR2000	PRODUCT SPEC -	RESTRICTED TO -
MATERIAL -		APPLICATION SPEC -	WEIGHT -	SIZE A200779
CUSTOMER DRAWING		SCALE 1:1	SHEET 1 OF 2	REV VI

THIS DRAWING IS UNPUBLISHED. RELEASED FOR PUBLICATION 20
 © COPYRIGHT 20 BY TYCO ELECTRONICS CORPORATION. ALL RIGHTS RESERVED.

LOC	DIST	REVISIONS			
P	LTR	DESCRIPTION	DATE	DWN	APVD
AD	00	SEE SHEET 1			



RECOMMENDED ETCHED CIRCUIT

THIS DRAWING IS A CONTROLLED DOCUMENT FOR TYCO ELECTRONICS CORPORATION. IT IS SUBJECT TO CHANGE AND THE CONTROLLING ENGINEERING ORGANIZATION SHOULD BE CONTACTED FOR THE LATEST REVISION.		DWN B. HAYMAKER 09MAR2000	Tyco Electronics Corporation Harrisburg, PA 17105-3608	
DIMENSIONS: mm [INCHES]		CHK R. BENDORE 09MAR2000	NAME HOUSING, CRIMP SNAP TWIN LEAF, .100 CENTERLINE X	
TOLERANCES UNLESS OTHERWISE SPECIFIED: 0 PLC ± 1 PLC ± 2 PLC ±0.13 [.005] 3 PLC ± 4 PLC ± ANGLES ± FINISH		APVD R. BENDORE 09MAR2000	PRODUCT SPEC -	RESTRICTED TO -
MATERIAL -		APPLICATION SPEC -	WEIGHT -	SIZE A200779
		CUSTOMER DRAWING	SCALE 3:1	DRAWING NO. C-147354
			SHEET 2 OF 2	REV. 1

147354