

4

3

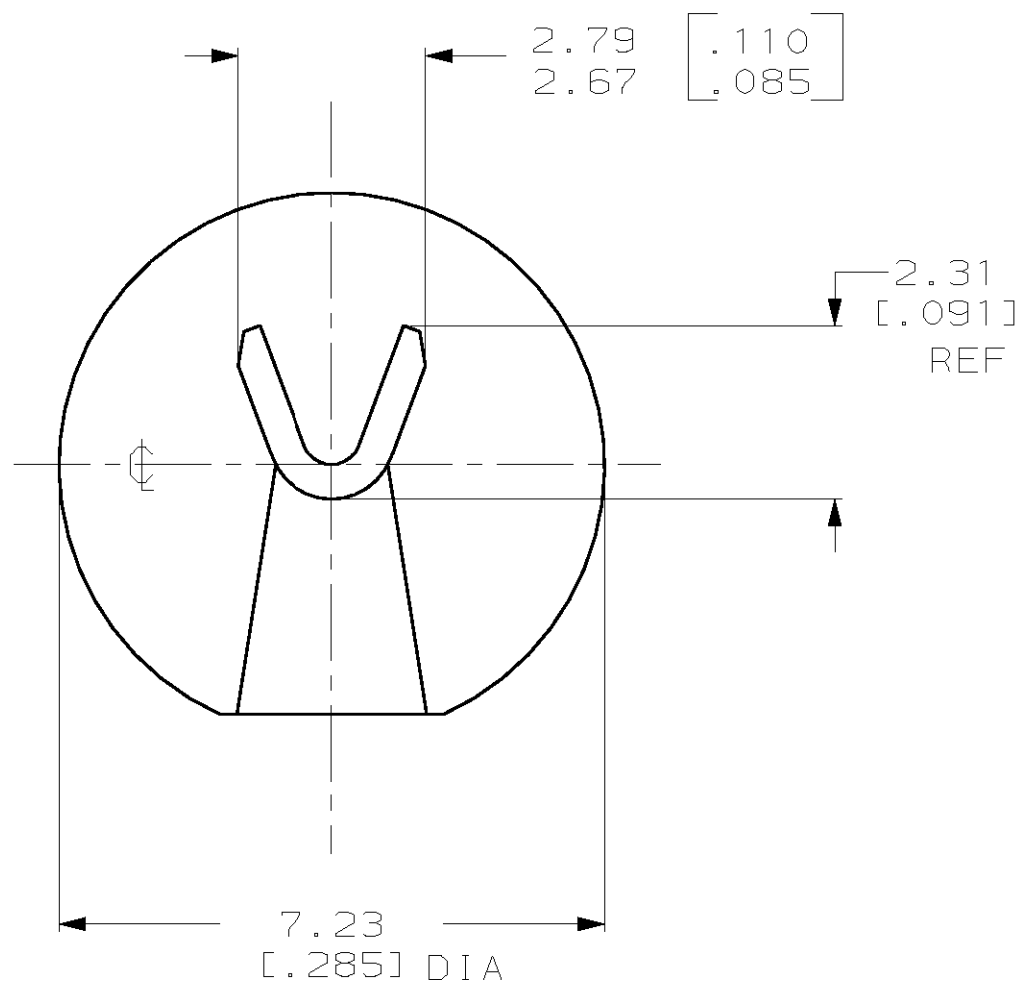
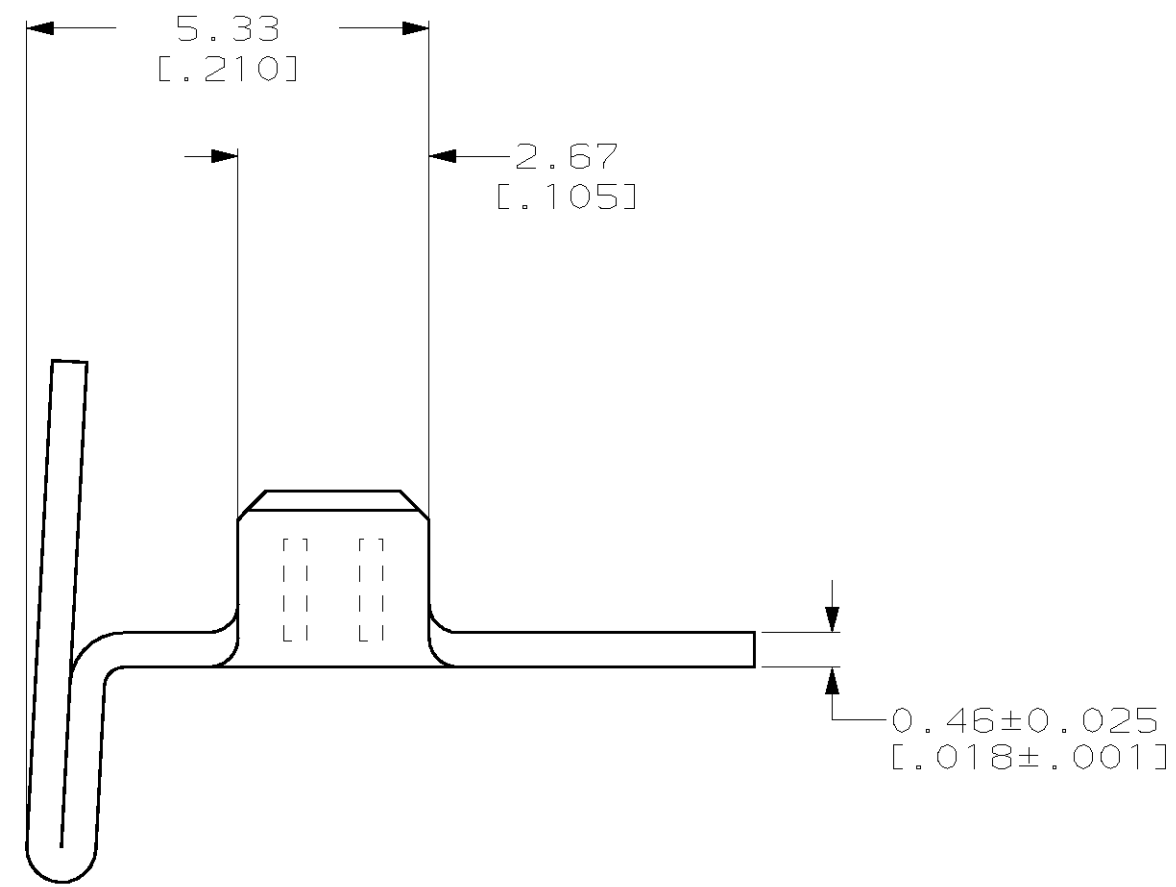
2

1

THIS DRAWING IS UNPUBLISHED. RELEASED FOR PUBLICATION, 19 .  
© COPYRIGHT 19 BY AMP INCORPORATED. ALL RIGHTS RESERVED.

LOC	DIST	REVISIONS			
P	LTR	DESCRIPTION	DATE	DWN	APVD
AF	50	E	REV PER 063A-0026-01	11 JAN 01	JR GP

1 WIRE SIZE IS [#24-#20] AWG.



61933-1  
PART NO.

THIS DRAWING IS A CONTROLLED DOCUMENT.		DWN JR RUTH 180CT00	AMP Incorporated Harrisburg, PA 17105-3608	
DIMENSIONS: MM [INCHES]		CHK MS FEHER 180CT00		
TOLERANCES UNLESS OTHERWISE SPECIFIED:		APVD G PORTA 180CT00	NAME BRUSH TERMINAL	
0 PLC ±- 1 PLC ±- 2 PLC ±0.25 [.010] 3 PLC ±- 4 PLC ±- ANGLES ±-		PRODUCT SPEC -	RESTRICTED TO -	
MATERIAL TEMP 1 BRASS		FINISH -	APPLICATION SPEC -	SCALE 10:1
		WEIGHT -	SIZE A3	CAGE CODE 00779
		CUSTOMER DRAWING	DRAWING NO C- 61933	SHEET 1 OF 1
				REV E