



# Aluminum electrolytic capacitors

## Snap-in capacitors

**Series/Type:** B43642

**Date:** December 2016

© EPCOS AG 2016. Reproduction, publication and dissemination of this publication, enclosures hereto and the information contained therein without EPCOS' prior express consent is prohibited.

EPCOS AG is a TDK Group Company.

## Long-life grade capacitors

### Applications

- Frequency converters
- Solar inverters
- Uninterruptible power supplies
- Professional power supplies
- Medical appliances

### Features

- Extremely high CV product, ultra compact
- Very high ripple current capability
- High reliability
- Optimized internal thermal resistance (for diameter 30 and 35 mm)
- Capacitors with all insulation versions pass the needle flame test according to IEC 60695-11-5 for all flame exposure times up to 120 s
- RoHS-compatible

### Construction

- Charge/discharge-proof, polar
- Aluminum case, fully insulated with PET or PVC
- Version with additional PET insulation cap on terminal side available for insulating the capacitor from the PCB
- Snap-in solder pins to hold component in place on PC-board
- Minus pole marking on case surface
- Minus pole not insulated from case
- Overload protection by safety vent

### Terminals

- Standard version with 2 terminals, 2 lengths available: 6.3 and 4.5 mm
- 3 terminals to ensure correct insertion: length 4.5 mm




**Specifications and characteristics in brief**

Rated voltage $V_R$	200 ... 450 V DC			
Surge voltage $V_S$	1.15 · $V_R$ (for $V_R \leq 250$ V DC) 1.10 · $V_R$ (for $V_R \geq 400$ V DC)			
Rated capacitance $C_R$	82 ... 3300 $\mu$ F			
Capacitance tolerance	$\pm 20\%$ $\triangleq$ M			
Dissipation factor $\tan \delta$ (20 °C, 120 Hz)	$V_R \leq 250$ V DC: $\tan \delta \leq 0.15$ $V_R \geq 400$ V DC: $\tan \delta \leq 0.20$			
Leakage current $I_{leak}$ (5 min, 20 °C)	$I_{leak} \leq 0.3 \mu A \cdot \left( \frac{C_R}{\mu F} \cdot \frac{V_R}{V} \right)^{0.7} + 4 \mu A$			
Self-inductance ESL	Approx. 20 nH			
Useful life <sup>1)</sup> 105 °C; $V_R$ ; $I_{AC,R}$	> 3000 h	Requirements: $ \Delta C/C  \leq 20\%$ of initial value $\tan \delta \leq 2$ times initial specified limit $I_{leak} \leq$ initial specified limit		
Voltage endurance test 105 °C; $V_R$	2000 h	Post test requirements: $ \Delta C/C  \leq 10\%$ of initial value $\tan \delta \leq 1.3$ times initial specified limit $I_{leak} \leq$ initial specified limit		
Vibration resistance test	To IEC 60068-2-6, test Fc: Frequency range 10 Hz ... 55 Hz, displacement amplitude 0.35 mm, acceleration max. 5 g, duration 3 × 2 h. Capacitor mounted by its body which is rigidly clamped to the work surface.			
Characteristics at low temperature	Max. impedance ratio at 100 Hz	$V_R$	$\leq 250$ V	$\geq 400$ V
		$Z_{-25\text{ °C}} / Z_{20\text{ °C}}$	3	4
		$Z_{-40\text{ °C}} / Z_{20\text{ °C}}$	7	10
IEC climatic category	To IEC 60068-1: 40/105/56 (–40 °C/+105 °C/56 days damp heat test)			
Detail specification	Similar to CECC 30301-809			
Sectional specification	IEC 60384-4			

1) Refer to chapter "General technical information, 5 Useful life" on how to interpret useful life.



B43642

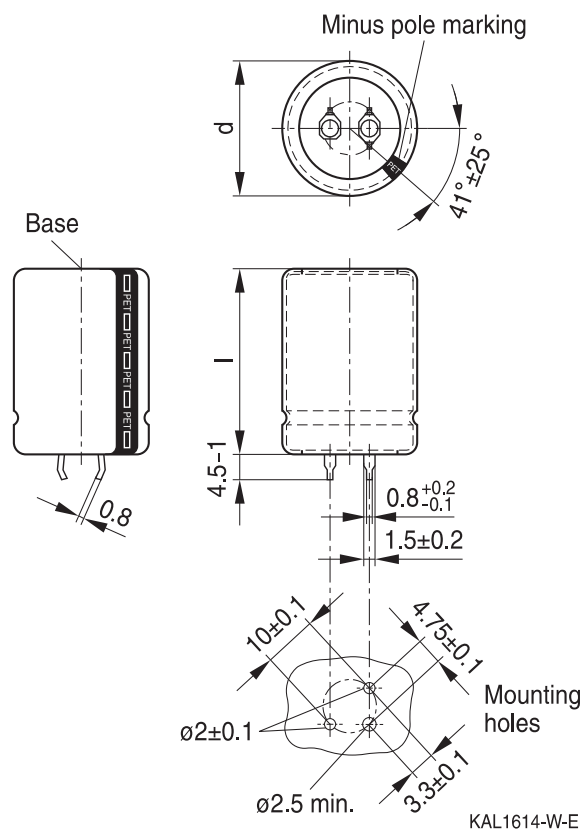
Ultra compact, high ripple current – 105 °C

### Dimensional drawings

#### Snap-in capacitors with standard insulation (PET or PVC)



KAL1613-N-E



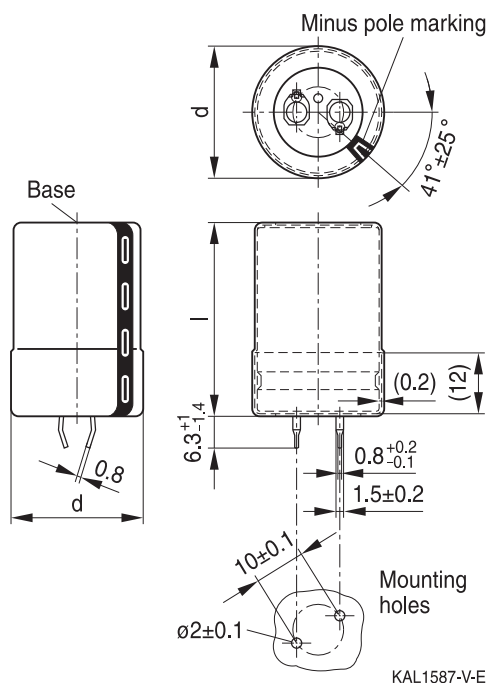
KAL1614-W-E

Snap-in terminals, length ( $6.3 \pm 1$ ) mm. Also available in a shorter version with a length of ( $4.5 - 1$ ) mm. PET insulation is marked with "PET" on the sleeve. Safety vent on the base or on the case wall.

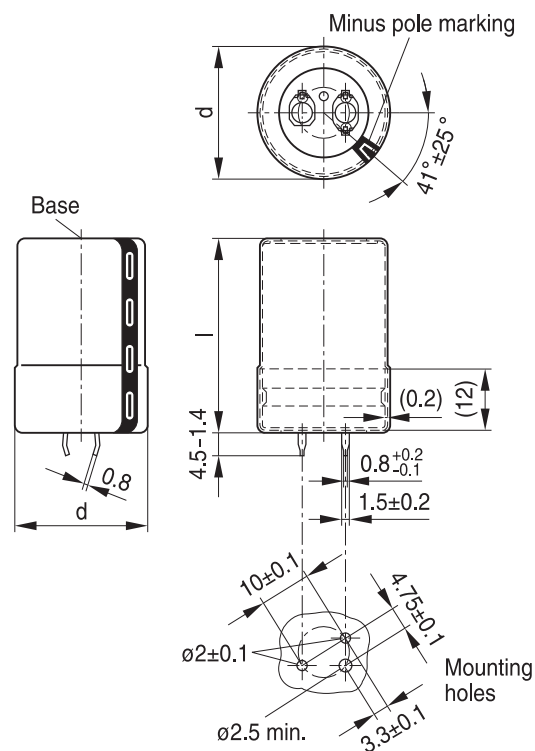
Snap-in capacitors are also available with 3 terminals (length ( $4.5 - 1$ ) mm). PET insulation is marked with "PET" on the sleeve. Safety vent on the base or on the case wall.

Dimensions (mm)		Approx. weight (g)	Packing units (pcs.)
d +1	l ±2		
22	25	9	160
22	30	12	160
22	35	15	160
22	40	18	160
22	45	20	160
22	50	24	160
<hr/>			
25	25	13	130
25	30	17	130
25	35	19	130
25	40	22	130
25	45	25	130
25	50	29	130
25	55	32	130

Dimensions (mm)		Approx. weight (g)	Packing units (pcs.)
d +1	l ±2		
30	25	17	80
30	30	23	80
30	35	29	80
30	40	36	80
30	45	41	80
30	50	46	80
30	55	53	80
<hr/>			
35	25	22	60
35	30	29	60
35	35	36	60
35	40	41	60
35	45	56	60
35	50	70	60
35	55	81	60


**Snap-in capacitors with PVC insulation and PET insulation cap on terminal side**


KAL1587-V-E



KAL1588-4-E

Snap-in terminals, length  $(6.3 +1/-1.4)$  mm. Also available in a shorter version with a length of  $(4.5 -1.4)$  mm. PET insulation cap is positioned under the insulation sleeve. Safety vent on the base or on the case wall.

Snap-in capacitors are also available with 3 terminals (length  $(4.5 -1.4)$  mm). PET insulation cap is positioned under the insulation sleeve. Safety vent on the base or on the case wall.

Dimensions (mm)		Approx. weight (g)	Packing units (pcs.)
$d +1.4$	$l +2.2/-2$		
22	25	9	160
22	30	12	160
22	35	15	160
22	40	18	160
22	45	20	160
22	50	24	160
<hr/>			
25	25	13	115
25	30	17	115
25	35	19	115
25	40	22	115
25	45	25	115
25	50	29	115
25	55	32	115

Dimensions (mm)		Approx. weight (g)	Packing units (pcs.)
$d +1.4$	$l +2.2/-2$		
30	25	17	80
30	30	23	80
30	35	29	80
30	40	36	80
30	45	41	80
30	50	46	80
30	55	53	80
<hr/>			
35	25	22	60
35	30	29	60
35	35	36	60
35	40	41	60
35	45	56	60
35	50	70	60
35	55	81	60



B43642

Ultra compact, high ripple current – 105 °C

### Packing of snap-in capacitors



For ecological reasons the packing is pure cardboard.

### Ordering codes for terminal styles and insulation features

Identification in 3<sup>rd</sup> block of ordering code

Snap-in capacitors

Terminal version	Insulation version		
	PVC	PET	PVC plus PET cap
Standard terminals 6.3 mm	M000	M060	M080
Short terminals 4.5 mm	M007	M067	M087
3 terminals 4.5 mm	M002	M062	M082

Ordering examples:

- B43642A5107M007 } snap-in capacitor with short terminals and PVC insulation
- B43642A5107M062 } snap-in capacitor with 3 terminals and PET insulation
- B43642A5107M080 } snap-in capacitor with standard terminals and PVC insulation with additional PET insulation cap on terminal side



### Overview of available types

The capacitance and voltage ratings listed below are available in different case sizes upon request. Other voltage and capacitance ratings are also available upon request.

$V_R$ (V DC)	200	250	400	450
	Case dimensions $d \times l$ (mm)			
$C_R$ ( $\mu$ F)				
82				22 × 25
100				22 × 30 25 × 25
120			22 × 25	22 × 30 25 × 30
150			22 × 30 25 × 25	22 × 35 25 × 30 30 × 25
180			22 × 35 25 × 30	22 × 40 25 × 35 30 × 30
220			22 × 40 25 × 30 30 × 25	22 × 50 25 × 40 30 × 30 35 × 25
270		22 × 25	22 × 45 25 × 35 30 × 30	25 × 45 30 × 35 35 × 30
330		22 × 30	22 × 50 25 × 40 30 × 30 35 × 25	25 × 50 30 × 40 35 × 30
390	22 × 25	22 × 35 25 × 25	25 × 45 30 × 35 35 × 30	30 × 45 35 × 35
470	22 × 30 25 × 25	22 × 35 25 × 30 30 × 25	25 × 50 30 × 40 35 × 30	30 × 50 35 × 40
560	22 × 35 25 × 30	22 × 40 25 × 35 30 × 30	30 × 45 35 × 35	35 × 45
680	22 × 40 25 × 30 30 × 25	22 × 45 25 × 40 30 × 30 35 × 25	30 × 50 35 × 40	35 × 50



**B43642**

**Ultra compact, high ripple current – 105 °C**

### Overview of available types

The capacitance and voltage ratings listed below are available in different case sizes upon request. Other voltage and capacitance ratings are also available upon request.

V <sub>R</sub> (V DC)	200	250	400	450
	Case dimensions d × l (mm)			
C <sub>R</sub> (μF)				
820	22 × 45 25 × 35 30 × 30	25 × 45 30 × 35 35 × 30	35 × 45	
1000	22 × 50 25 × 40 30 × 30 35 × 25	25 × 50 30 × 40 35 × 30	35 × 55	
1200	25 × 45 30 × 35 35 × 30	30 × 45 35 × 35		
1500	25 × 55 30 × 40 35 × 35	30 × 50 35 × 40		
1800	30 × 45 35 × 35	35 × 45		
2200	30 × 55 35 × 45	35 × 55		
2700	35 × 50			
3300	35 × 55			




**Technical data and ordering codes**

$C_R$ 100 Hz 20 °C $\mu\text{F}$	Case dimensions $d \times l$ mm	$\text{ESR}_{\text{typ}}$ 100 Hz 20 °C $\text{m}\Omega$	$\text{ESR}_{\text{typ}}$ 300 Hz 60 °C $\text{m}\Omega$	$Z_{\text{max}}$ 10 kHz 20 °C $\text{m}\Omega$	$I_{\text{AC,max}}$ 100 Hz 60 °C A	$I_{\text{AC,max}}$ 100 Hz 85 °C A	$I_{\text{AC,R}}$ 100 Hz 105 °C A	Ordering code (composition see below)
<b><math>V_R = 200 \text{ V DC}</math></b>								
390	22 × 25	200	75	280	3.27	2.43	1.21	B43642A2397M0*#
470	22 × 30	170	60	230	3.77	2.80	1.40	B43642A2477M0*#
470	25 × 25	180	70	250	3.59	2.67	1.33	B43642B2477M0*#
560	22 × 35	140	50	200	4.32	3.21	1.61	B43642A2567M0*#
560	25 × 30	140	55	200	4.13	3.08	1.54	B43642B2567M0*#
680	22 × 40	120	40	160	4.99	3.72	1.86	B43642A2687M0*#
680	25 × 30	120	50	180	4.56	3.39	1.69	B43642B2687M0*#
680	30 × 25	120	40	160	5.37	3.98	1.98	B43642C2687M0*#
820	22 × 45	95	36	140	5.75	4.28	2.14	B43642A2827M0*#
820	25 × 35	100	40	150	5.27	3.92	1.96	B43642B2827M0*#
820	30 × 30	95	34	130	6.19	4.59	2.29	B43642C2827M0*#
1000	22 × 50	80	30	120	6.68	4.96	2.48	B43642A2108M0*#
1000	25 × 40	85	36	120	6.10	4.53	2.26	B43642B2108M0*#
1000	30 × 30	80	30	120	6.83	5.06	2.52	B43642C2108M0*#
1000	35 × 25	85	36	120	6.61	4.90	2.44	B43642D2108M0*#
1200	25 × 45	70	30	110	6.98	5.18	2.59	B43642A2128M0*#
1200	30 × 35	65	24	95	7.82	5.79	2.89	B43642B2128M0*#
1200	35 × 30	70	28	100	7.69	5.70	3.03	B43642C2128M0*#
1500	25 × 55	55	24	85	8.38	6.23	3.11	B43642A2158M0*#
1500	30 × 40	55	20	75	9.12	6.76	3.59	B43642B2158M0*#
1500	35 × 35	55	22	80	8.93	6.62	3.52	B43642C2158M0*#
1800	30 × 45	45	17	65	10.3	7.70	4.09	B43642A2188M0*#
1800	35 × 35	50	22	70	9.58	7.09	3.77	B43642B2188M0*#
2200	30 × 55	36	14	55	12.2	9.05	4.82	B43642A2228M0*#
2200	35 × 45	38	16	55	11.4	8.52	4.54	B43642B2228M0*#
2700	35 × 50	32	14	50	13.0	9.69	5.16	B43642A2278M0*#
3300	35 × 55	28	12	40	14.8	11.0	5.85	B43642A2338M0*#

**Composition of ordering code**

\* = Insulation feature

0 = PVC insulation

6 = PET insulation

 8 = PVC insulation with additional PET insulation  
cap on terminal side

# = Terminal style

0 = snap-in standard terminals (6.3 mm)

2 = snap-in 3 terminals (4.5 mm)

7 = snap-in short terminals (4.5 mm)



**B43642**

**Ultra compact, high ripple current – 105 °C**

**Technical data and ordering codes**

$C_R$ 100 Hz 20 °C $\mu\text{F}$	Case dimensions $d \times l$ mm	$\text{ESR}_{\text{typ}}$ 100 Hz 20 °C $\text{m}\Omega$	$\text{ESR}_{\text{typ}}$ 300 Hz 60 °C $\text{m}\Omega$	$Z_{\text{max}}$ 10 kHz 20 °C $\text{m}\Omega$	$I_{\text{AC,max}}$ 100 Hz 60 °C A	$I_{\text{AC,max}}$ 100 Hz 85 °C A	$I_{\text{AC,R}}$ 100 Hz 105 °C A	Ordering code (composition see below)
$V_R = 250 \text{ V DC}$								
270	22 × 25	300	100	430	2.78	2.07	1.03	B43642E2277M0*#
330	22 × 30	240	80	350	3.23	2.40	1.20	B43642E2337M0*#
390	22 × 35	200	65	290	3.67	2.73	1.37	B43642E2397M0*#
390	25 × 25	200	80	290	3.42	2.54	1.26	B43642F2397M0*#
470	22 × 35	160	55	230	4.14	3.07	1.53	B43642E2477M0*#
470	25 × 30	180	65	260	3.96	2.94	1.47	B43642F2477M0*#
470	30 × 25	170	55	250	4.56	3.38	1.69	B43642G2477M0*#
560	22 × 40	140	50	190	4.74	3.52	1.76	B43642E2567M0*#
560	25 × 35	150	55	220	4.53	3.37	1.68	B43642F2567M0*#
560	30 × 30	140	45	200	5.20	3.86	1.92	B43642G2567M0*#
680	22 × 45	110	40	160	5.51	4.09	2.04	B43642E2687M0*#
680	25 × 40	120	45	180	5.23	3.89	1.95	B43642F2687M0*#
680	30 × 30	120	40	170	5.78	4.28	2.13	B43642G2687M0*#
680	35 × 25	120	45	180	5.74	4.25	2.12	B43642H2687M0*#
820	25 × 45	100	40	150	6.02	4.47	2.23	B43642E2827M0*#
820	30 × 35	100	34	140	6.61	4.90	2.45	B43642F2827M0*#
820	35 × 30	100	36	150	6.63	4.92	2.62	B43642G2827M0*#
1000	25 × 50	80	32	120	6.92	5.14	2.57	B43642E2108M0*#
1000	30 × 40	80	28	120	7.61	5.64	3.00	B43642F2108M0*#
1000	35 × 30	95	34	140	7.02	5.21	2.77	B43642G2108M0*#
1200	30 × 45	70	24	100	8.67	6.43	3.42	B43642E2128M0*#
1200	35 × 35	70	28	110	8.27	6.13	3.26	B43642F2128M0*#
1500	30 × 50	60	20	90	9.38	6.97	3.72	B43642E2158M0*#
1500	35 × 40	60	22	85	9.59	7.10	3.78	B43642F2158M0*#
1800	35 × 45	55	19	80	10.3	7.67	4.09	B43642E2188M0*#
2200	35 × 55	40	15	60	12.7	9.47	5.04	B43642E2228M0*#

**Composition of ordering code**

\* = Insulation feature

0 = PVC insulation

6 = PET insulation

8 = PVC insulation with additional PET insulation cap on terminal side

# = Terminal style

0 = snap-in standard terminals (6.3 mm)

2 = snap-in 3 terminals (4.5 mm)

7 = snap-in short terminals (4.5 mm)


**Technical data and ordering codes**

$C_R$ 100 Hz 20 °C $\mu\text{F}$	Case dimensions $d \times l$ mm	$\text{ESR}_{\text{typ}}$ 100 Hz 20 °C $\text{m}\Omega$	$\text{ESR}_{\text{typ}}$ 300 Hz 60 °C $\text{m}\Omega$	$Z_{\text{max}}$ 10 kHz 20 °C $\text{m}\Omega$	$I_{\text{AC,max}}$ 100 Hz 60 °C A	$I_{\text{AC,max}}$ 100 Hz 85 °C A	$I_{\text{AC,R}}$ 100 Hz 105 °C A	Ordering code (composition see below)
<b><math>V_R = 400 \text{ V DC}</math></b>								
120	22 × 25	830	220	1300	1.86	1.39	0.68	B43642A9127M0*#
150	22 × 30	660	170	970	2.19	1.63	0.80	B43642A9157M0*#
150	25 × 25	670	180	990	2.17	1.62	0.79	B43642B9157M0*#
180	22 × 35	550	140	810	2.50	1.86	0.92	B43642A9187M0*#
180	25 × 30	560	150	820	2.47	1.84	0.91	B43642B9187M0*#
220	22 × 40	450	120	670	2.92	2.17	1.07	B43642A9227M0*#
220	25 × 30	460	130	680	2.83	2.11	1.03	B43642B9227M0*#
220	30 × 25	450	120	670	3.17	2.35	1.15	B43642C9227M0*#
270	22 × 45	370	95	550	3.42	2.54	1.25	B43642A9277M0*#
270	25 × 35	370	100	560	3.29	2.45	1.20	B43642B9277M0*#
270	30 × 30	370	95	540	3.65	2.71	1.33	B43642C9277M0*#
330	22 × 50	300	80	450	4.01	2.98	1.47	B43642A9337M0*#
330	25 × 40	310	85	460	3.83	2.85	1.40	B43642B9337M0*#
330	30 × 30	270	75	380	4.15	3.08	1.51	B43642C9337M0*#
330	35 × 25	310	85	460	4.21	3.12	1.53	B43642D9337M0*#
390	25 × 45	260	75	390	4.36	3.24	1.59	B43642A9397M0*#
390	30 × 35	260	70	380	4.64	3.44	1.69	B43642B9397M0*#
390	35 × 30	260	70	380	4.75	3.53	1.82	B43642C9397M0*#
470	25 × 50	190	55	280	5.04	3.75	1.84	B43642A9477M0*#
470	30 × 40	210	55	320	5.31	3.94	2.03	B43642B9477M0*#
470	35 × 30	190	55	280	5.31	3.94	2.03	B43642C9477M0*#
560	30 × 45	180	45	270	6.03	4.48	2.31	B43642A9567M0*#
560	35 × 35	180	50	270	5.97	4.43	2.29	B43642B9567M0*#
680	30 × 50	130	36	190	6.99	5.18	2.68	B43642A9687M0*#
680	35 × 40	150	40	220	6.83	5.07	2.62	B43642B9687M0*#
820	35 × 45	110	34	160	7.83	5.81	3.00	B43642A9827M0*#
1000	35 × 55	100	30	160	9.07	6.73	3.48	B43642A9108M0*#

**Composition of ordering code**

\* = Insulation feature

0 = PVC insulation

6 = PET insulation

 8 = PVC insulation with additional PET insulation  
cap on terminal side

# = Terminal style

0 = snap-in standard terminals (6.3 mm)

2 = snap-in 3 terminals (4.5 mm)

7 = snap-in short terminals (4.5 mm)



**B43642**

**Ultra compact, high ripple current – 105 °C**

**Technical data and ordering codes**

$C_R$ 100 Hz 20 °C $\mu\text{F}$	Case dimensions $d \times l$ mm	$\text{ESR}_{\text{typ}}$ 100 Hz 20 °C $\text{m}\Omega$	$\text{ESR}_{\text{typ}}$ 300 Hz 60 °C $\text{m}\Omega$	$Z_{\text{max}}$ 10 kHz 20 °C $\text{m}\Omega$	$I_{\text{AC,max}}$ 100 Hz 60 °C A	$I_{\text{AC,max}}$ 100 Hz 85 °C A	$I_{\text{AC,R}}$ 100 Hz 105 °C A	Ordering code (composition see below)
<b><math>V_R = 450 \text{ V DC}</math></b>								
82	22 × 25	1000	280	1500	1.55	1.16	0.59	B43642A5826M0*#
100	22 × 30	820	230	1200	1.78	1.33	0.69	B43642A5107M0*#
100	25 × 25	830	240	1200	1.79	1.34	0.69	B43642B5107M0*#
120	22 × 30	690	190	980	2.03	1.51	0.78	B43642A5127M0*#
120	25 × 30	690	190	980	2.03	1.52	0.79	B43642B5127M0*#
150	22 × 35	550	160	790	2.40	1.79	0.92	B43642A5157M0*#
150	25 × 30	560	160	790	2.36	1.76	0.91	B43642B5157M0*#
150	30 × 25	570	170	820	2.55	1.89	0.97	B43642C5157M0*#
180	22 × 40	460	130	660	2.76	2.05	1.06	B43642A5187M0*#
180	25 × 35	460	130	660	2.70	2.02	1.04	B43642B5187M0*#
180	30 × 30	470	140	670	2.90	2.16	1.11	B43642C5187M0*#
220	22 × 50	380	110	540	3.24	2.42	1.25	B43642A5227M0*#
220	25 × 40	380	110	540	3.13	2.34	1.21	B43642B5227M0*#
220	30 × 30	390	120	560	3.23	2.40	1.23	B43642C5227M0*#
220	35 × 25	380	110	540	3.54	2.63	1.35	B43642D5227M0*#
270	25 × 45	310	90	440	3.66	2.73	1.41	B43642A5277M0*#
270	30 × 35	320	100	460	3.73	2.77	1.42	B43642B5277M0*#
270	35 × 30	310	90	440	4.07	3.02	1.63	B43642C5277M0*#
330	25 × 50	260	75	370	4.27	3.18	1.64	B43642A5337M0*#
330	30 × 40	260	80	380	4.28	3.18	1.72	B43642B5337M0*#
330	35 × 30	260	75	370	4.56	3.38	1.83	B43642C5337M0*#
390	30 × 45	220	70	320	4.81	3.58	1.93	B43642A5397M0*#
390	35 × 35	220	65	310	5.13	3.81	2.06	B43642B5397M0*#
470	30 × 50	180	60	270	5.48	4.07	2.20	B43642A5477M0*#
470	35 × 40	180	50	260	5.83	4.33	2.34	B43642B5477M0*#
560	35 × 45	150	45	220	6.59	4.89	2.64	B43642A5567M0*#
680	35 × 50	120	38	180	7.54	5.59	3.03	B43642A5687M0*#

**Composition of ordering code**

\* = Insulation feature

0 = PVC insulation

6 = PET insulation

8 = PVC insulation with additional PET insulation  
cap on terminal side

# = Terminal style

0 = snap-in standard terminals (6.3 mm)

2 = snap-in 3 terminals (4.5 mm)

7 = snap-in short terminals (4.5 mm)



**Useful life<sup>1)</sup>**

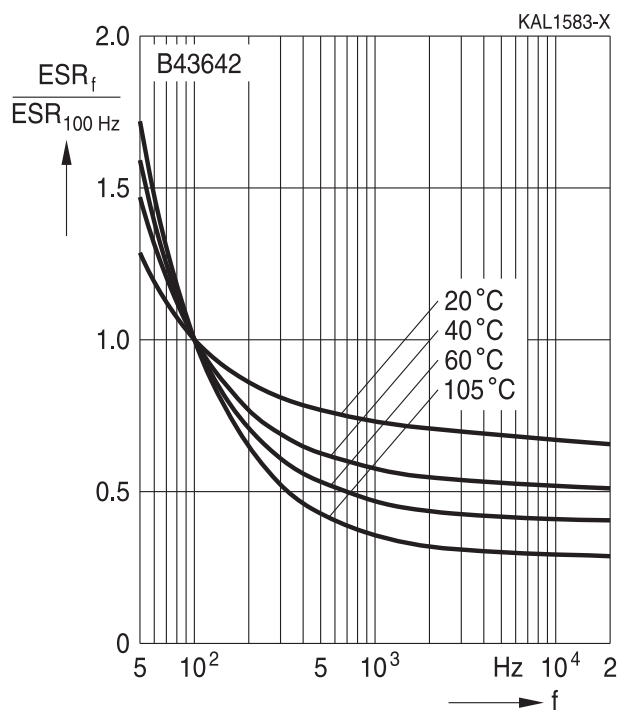
For useful life calculations, please use our web-based "AlCap Useful Life Calculation Tool", which can be found on the Internet under the following link:

[http://www.epcos.com/designtools/alu\\_useful\\_life/Useful\\_life.swf](http://www.epcos.com/designtools/alu_useful_life/Useful_life.swf)

The AlCap Useful Life Calculation Tool provides calculations of useful life as well as additional data for selected capacitor types under operating conditions defined by the user.

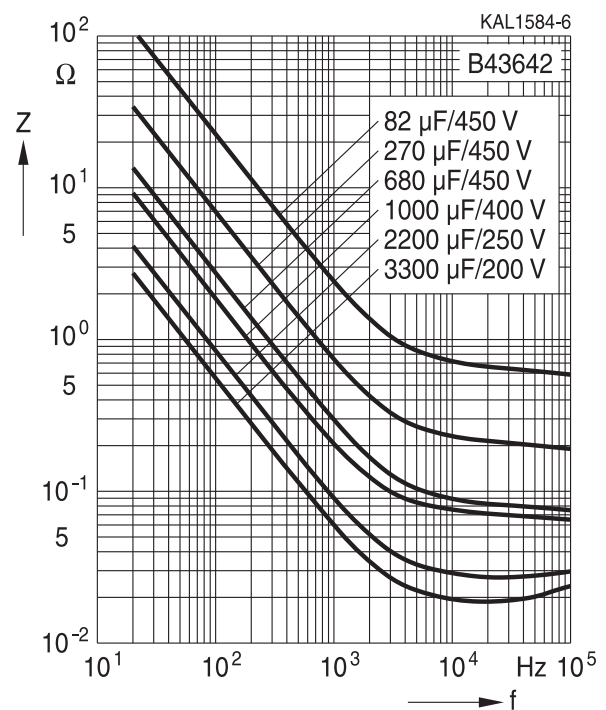
**Frequency characteristics of ESR**

Typical behavior



**Impedance Z versus frequency f**

Typical behavior at 20 °C



1) Refer to chapter "General technical information, 5 Useful life" on how to interpret useful life.



**B43642**

**Ultra compact, high ripple current – 105 °C**

## Cautions and warnings

### Personal safety

The electrolytes used by EPCOS have been optimized both with a view to the intended application and with regard to health and environmental compatibility. They do not contain any solvents that are detrimental to health, e.g. dimethyl formamide (DMF) or dimethyl acetamide (DMAC).

Furthermore, some of the high-voltage electrolytes used by EPCOS are self-extinguishing.

As far as possible, EPCOS does not use any dangerous chemicals or compounds to produce operating electrolytes, although in exceptional cases, such materials must be used in order to achieve specific physical and electrical properties because no alternative materials are currently known. We do, however, restrict the amount of dangerous materials used in our products to an absolute minimum.

Materials and chemicals used in EPCOS aluminum electrolytic capacitors are continuously adapted in compliance with the EPCOS Corporate Environmental Policy and the latest EU regulations and guidelines such as RoHS, REACH/SVHC, GADSL, and ELV.

MDS (Material Data Sheets) are available on the EPCOS website for all types listed in the data book. MDS for customer specific capacitors are available upon request.

MSDS (Material Safety Data Sheets) are available for all of our electrolytes upon request.

Nevertheless, the following rules should be observed when handling aluminum electrolytic capacitors: No electrolyte should come into contact with eyes or skin. If electrolyte does come into contact with the skin, wash the affected areas immediately with running water. If the eyes are affected, rinse them for 10 minutes with plenty of water. If symptoms persist, seek medical treatment. Avoid inhaling electrolyte vapor or mists. Workplaces and other affected areas should be well ventilated. Clothing that has been contaminated by electrolyte must be changed and rinsed in water.



## Product safety

The table below summarizes the safety instructions that must be observed without fail. A detailed description can be found in the relevant sections of chapter "General technical information".

Topic	Safety information	Reference chapter "General technical information"
Polarity	Make sure that polar capacitors are connected with the right polarity.	1 "Basic construction of aluminum electrolytic capacitors"
Reverse voltage	Voltages of opposite polarity should be prevented by connecting a diode.	3.1.6 "Reverse voltage"
Mounting position of screw-terminal capacitors	Screw terminal capacitors must not be mounted with terminals facing down unless otherwise specified.	11.1. "Mounting positions of capacitors with screw terminals"
Robustness of terminals	The following maximum tightening torques must not be exceeded when connecting screw terminals: M5: 2.5 Nm M6: 4.0 Nm	11.3 "Mounting torques"
Mounting of single-ended capacitors	The internal structure of single-ended capacitors might be damaged if excessive force is applied to the lead wires. Avoid any compressive, tensile or flexural stress. Do not move the capacitor after soldering to PC board. Do not pick up the PC board by the soldered capacitor. Do not insert the capacitor on the PC board with a hole space different to the lead space specified.	11.4 "Mounting considerations for single-ended capacitors"
Soldering	Do not exceed the specified time or temperature limits during soldering.	11.5 "Soldering"
Soldering, cleaning agents	Do not allow halogenated hydrocarbons to come into contact with aluminum electrolytic capacitors.	11.6 "Cleaning agents"
Upper category temperature	Do not exceed the upper category temperature.	7.2 "Maximum permissible operating temperature"
Passive flammability	Avoid external energy, e.g. fire.	8.1 "Passive flammability"



**B43642**

**Ultra compact, high ripple current – 105 °C**

Topic	Safety information	Reference chapter "General technical information"
Active flammability	Avoid overload of the capacitors.	8.2 "Active flammability"
Maintenance	Make periodic inspections of the capacitors. Before the inspection, make sure that the power supply is turned off and carefully discharge the capacitors. Do not apply excessive mechanical stress to the capacitor terminals when mounting.	10 "Maintenance"
Storage	Do not store capacitors at high temperatures or high humidity. Capacitors should be stored at +5 to +35 °C and a relative humidity of ≤ 75%.	7.3 "Shelf life and storage conditions"
		Reference chapter "Capacitors with screw terminals"
Breakdown strength of insulating sleeves	Do not damage the insulating sleeve, especially when ring clips are used for mounting.	"Screw terminals – accessories"

### Display of ordering codes for EPCOS products

The ordering code for one and the same product can be represented differently in data sheets, data books, other publications and the website of EPCOS, or in order-related documents such as shipping notes, order confirmations and product labels. The varying representations of the ordering codes are due to different processes employed and do not affect the specifications of the respective products.

Detailed information can be found on the Internet under [www.epcos.com/orderingcodes](http://www.epcos.com/orderingcodes).





## Symbols and terms

Symbol	English	German
C	Capacitance	Kapazität
$C_R$	Rated capacitance	Nennkapazität
$C_S$	Series capacitance	Serienkapazität
$C_{S,T}$	Series capacitance at temperature T	Serienkapazität bei Temperatur T
$C_f$	Capacitance at frequency f	Kapazität bei Frequenz f
d	Case diameter, nominal dimension	Gehäusedurchmesser, Nennmaß
$d_{max}$	Maximum case diameter	Maximaler Gehäusedurchmesser
ESL	Self-inductance	Eigeninduktivität
ESR	Equivalent series resistance	Ersatzserienwiderstand
$ESR_f$	Equivalent series resistance at frequency f	Ersatzserienwiderstand bei Frequenz f
$ESR_T$	Equivalent series resistance at temperature T	Ersatzserienwiderstand bei Temperatur T
f	Frequency	Frequenz
I	Current	Strom
$I_{AC}$	Alternating current (ripple current)	Wechselstrom
$I_{AC,RMS}$	Root-mean-square value of alternating current	Wechselstrom, Effektivwert
$I_{AC,f}$	Ripple current at frequency f	Wechselstrom bei Frequenz f
$I_{AC,max}$	Maximum permissible ripple current	Maximal zulässiger Wechselstrom
$I_{AC,R}$	Rated ripple current	Nennwechselstrom
$I_{leak}$	Leakage current	Reststrom
$I_{leak,op}$	Operating leakage current	Betriebsreststrom
l	Case length, nominal dimension	Gehäuselänge, Nennmaß
$l_{max}$	Maximum case length (without terminals and mounting stud)	Maximale Gehäuselänge (ohne Anschlüsse und Gewindebolzen)
R	Resistance	Widerstand
$R_{ins}$	Insulation resistance	Isolationswiderstand
$R_{symm}$	Balancing resistance	Symmetrierwiderstand
T	Temperature	Temperatur
$\Delta T$	Temperature difference	Temperaturdifferenz
$T_A$	Ambient temperature	Umgebungstemperatur
$T_C$	Case temperature	Gehäusetemperatur
$T_B$	Capacitor base temperature	Temperatur des Gehäusebodens
t	Time	Zeit
$\Delta t$	Period	Zeitraum
$t_b$	Service life (operating hours)	Brauchbarkeitsdauer (Betriebszeit)



**B43642**

**Ultra compact, high ripple current – 105 °C**

Symbol	English	German
V	Voltage	Spannung
$V_F$	Forming voltage	Formierspannung
$V_{op}$	Operating voltage	Betriebsspannung
$V_R$	Rated voltage, DC voltage	Nennspannung, Gleichspannung
$V_S$	Surge voltage	Spitzenspannung
$X_C$	Capacitive reactance	Kapazitiver Blindwiderstand
$X_L$	Inductive reactance	Induktiver Blindwiderstand
Z	Impedance	Scheinwiderstand
$Z_T$	Impedance at temperature T	Scheinwiderstand bei Temperatur T
$\tan \delta$	Dissipation factor	Verlustfaktor
$\lambda$	Failure rate	Ausfallrate
$\epsilon_0$	Absolute permittivity	Elektrische Feldkonstante
$\epsilon_r$	Relative permittivity	Dielektrizitätszahl
$\omega$	Angular velocity; $2 \cdot \pi \cdot f$	Kreisfrequenz; $2 \cdot \pi \cdot f$

**Note**

All dimensions are given in mm.

## Important notes

The following applies to all products named in this publication:

1. Some parts of this publication contain **statements about the suitability of our products for certain areas of application**. These statements are based on our knowledge of typical requirements that are often placed on our products in the areas of application concerned. We nevertheless expressly point out **that such statements cannot be regarded as binding statements about the suitability of our products for a particular customer application**. As a rule, EPCOS is either unfamiliar with individual customer applications or less familiar with them than the customers themselves. For these reasons, it is always ultimately incumbent on the customer to check and decide whether an EPCOS product with the properties described in the product specification is suitable for use in a particular customer application.
2. We also point out that **in individual cases, a malfunction of electronic components or failure before the end of their usual service life cannot be completely ruled out in the current state of the art, even if they are operated as specified**. In customer applications requiring a very high level of operational safety and especially in customer applications in which the malfunction or failure of an electronic component could endanger human life or health (e.g. in accident prevention or lifesaving systems), it must therefore be ensured by means of suitable design of the customer application or other action taken by the customer (e.g. installation of protective circuitry or redundancy) that no injury or damage is sustained by third parties in the event of malfunction or failure of an electronic component.
3. **The warnings, cautions and product-specific notes must be observed.**
4. In order to satisfy certain technical requirements, **some of the products described in this publication may contain substances subject to restrictions in certain jurisdictions (e.g. because they are classed as hazardous)**. Useful information on this will be found in our Material Data Sheets on the Internet ([www.epcos.com/material](http://www.epcos.com/material)). Should you have any more detailed questions, please contact our sales offices.
5. We constantly strive to improve our products. Consequently, **the products described in this publication may change from time to time**. The same is true of the corresponding product specifications. Please check therefore to what extent product descriptions and specifications contained in this publication are still applicable before or when you place an order. We also **reserve the right to discontinue production and delivery of products**. Consequently, we cannot guarantee that all products named in this publication will always be available. The aforementioned does not apply in the case of individual agreements deviating from the foregoing for customer-specific products.
6. Unless otherwise agreed in individual contracts, **all orders are subject to the current version of the "General Terms of Delivery for Products and Services in the Electrical Industry" published by the German Electrical and Electronics Industry Association (ZVEI)**.

## Important notes

7. The trade names EPCOS, CeraDiode, CeraLink, CeraPad, CeraPlas, CSMP, CSSP, CTVS, DeltaCap, DigiSiMic, DSSP, ExoCore, FilterCap, FormFit, LeaXield, MiniBlue, MiniCell, MKD, MKK, MotorCap, PCC, PhaseCap, PhaseCube, PhaseMod, PhiCap, PQSine, SIFERRIT, SIFI, SIKOREL, SilverCap, SIMDAD, SiMic, SIMID, SineFormer, SIOV, SIP5D, SIP5K, TFAP, ThermoFuse, WindCap are **trademarks registered or pending** in Europe and in other countries. Further information will be found on the Internet at [www.epcos.com/trademarks](http://www.epcos.com/trademarks).