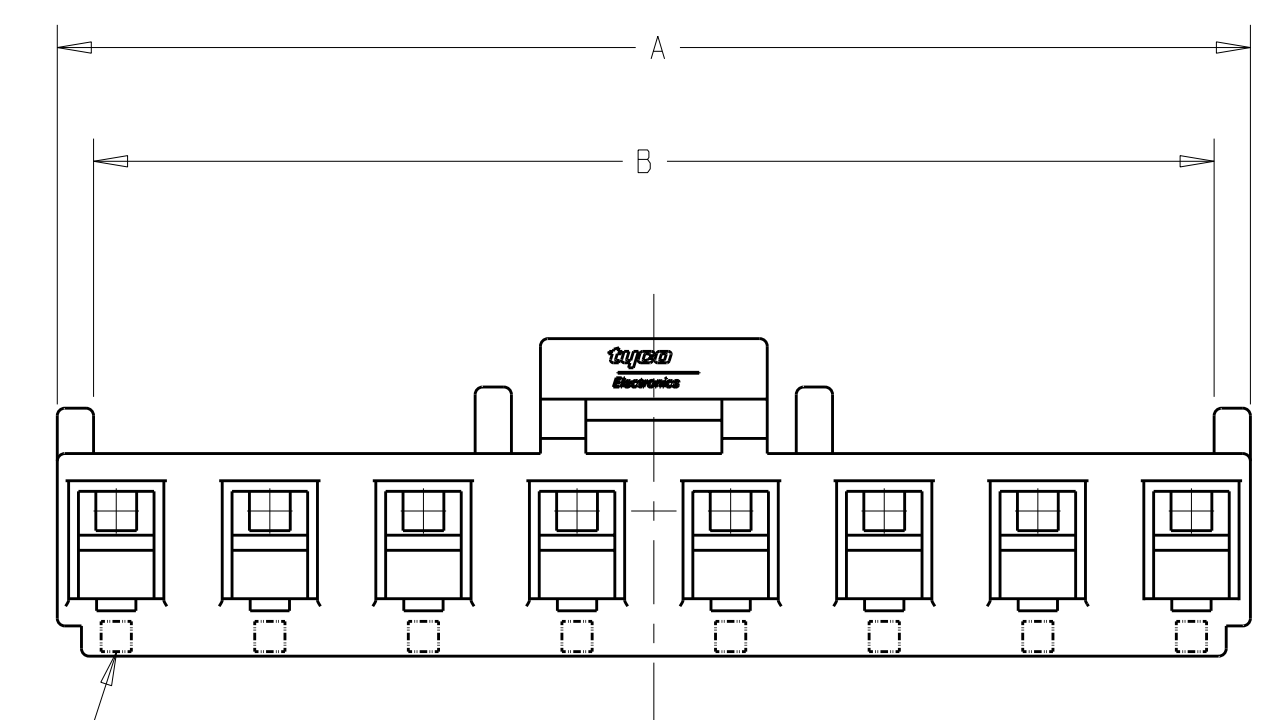
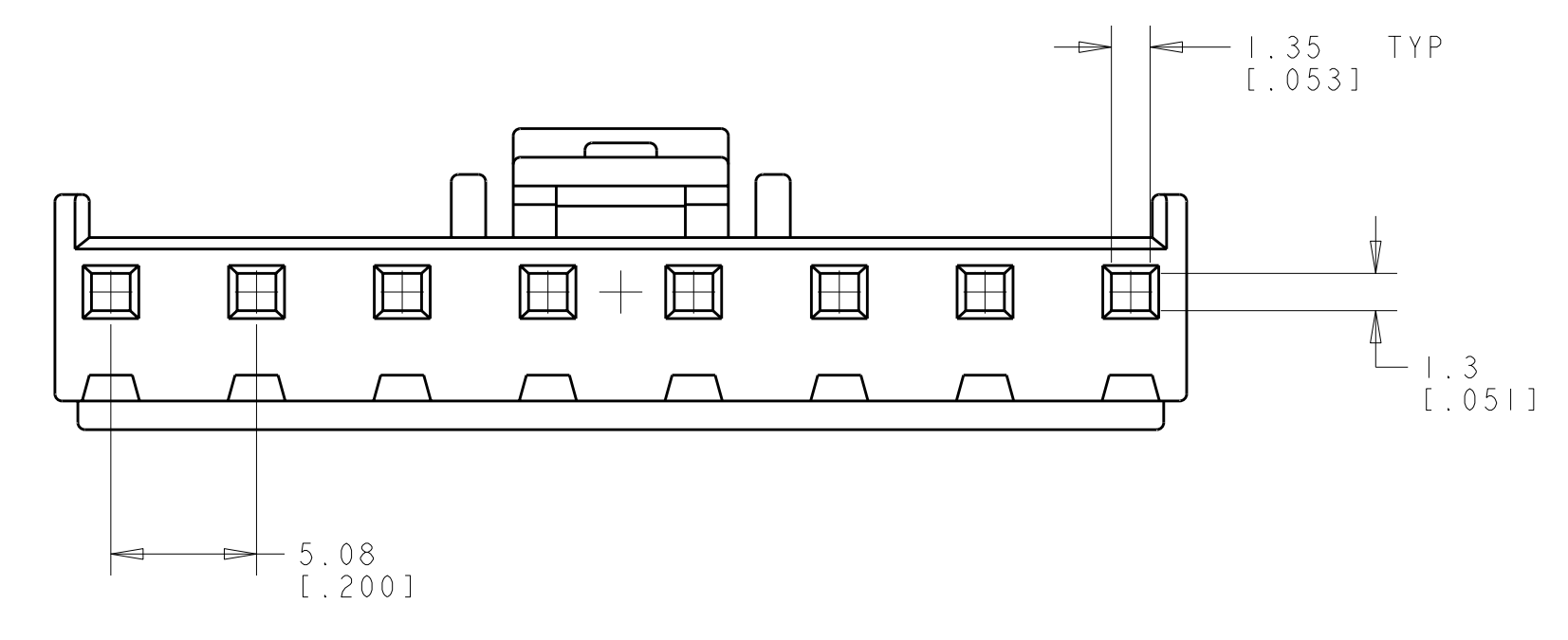
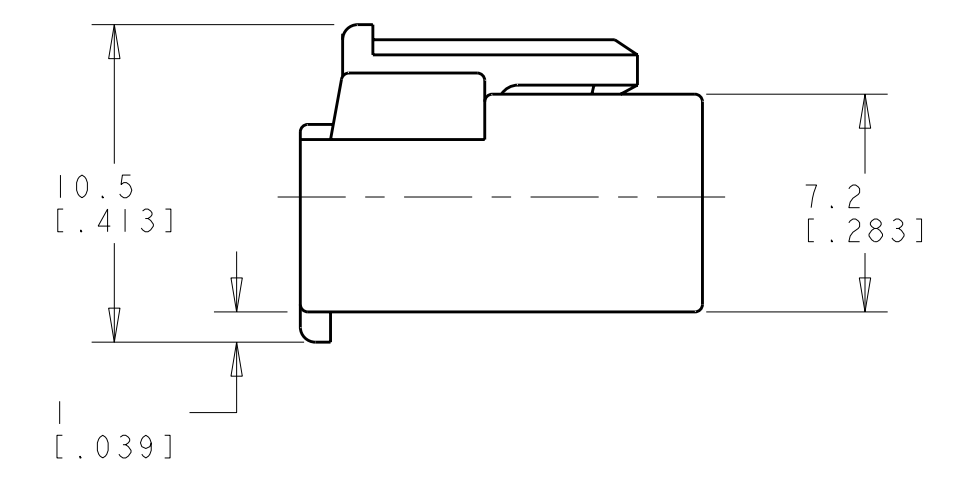
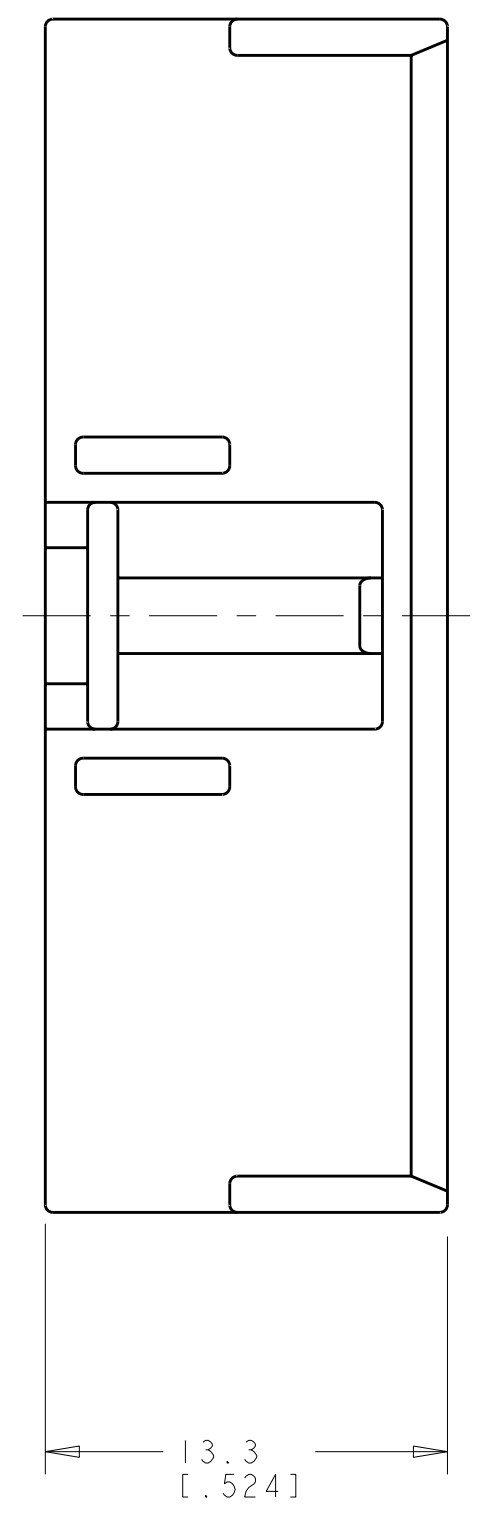
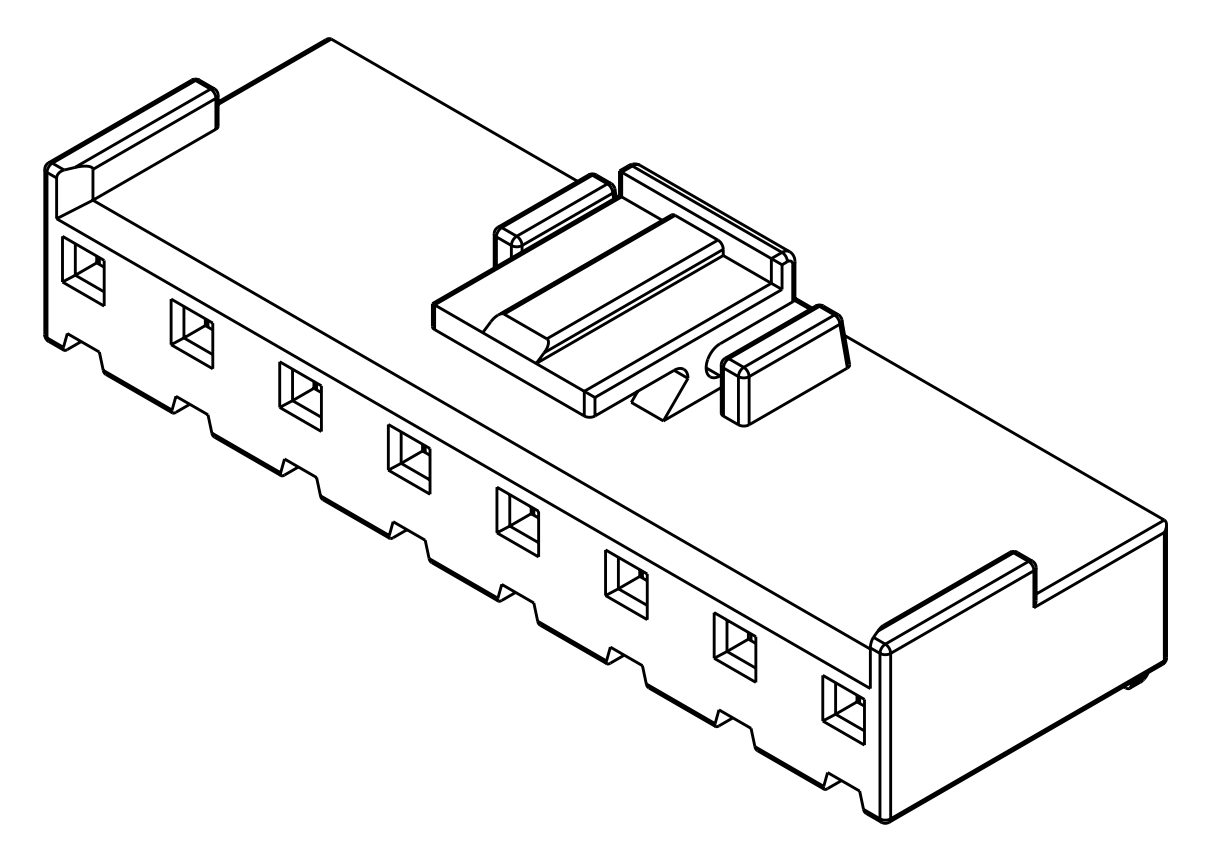


LOC	DIST	REVISIONS			
CM	00	REV	DATE	BY	APPD
		P	11MAR2011	RK	HMR
		REVIS PER ECO-11-004820			



CIRCUIT NO 1



57.38 [2.259]	59.78 [2.354]	12	1-1744036-2
52.28 [2.058]	54.7 [2.154]	11	1-1744036-1
47.22 [1.859]	49.62 [1.954]	10	1-1744036-0
42.14 [1.659]	44.54 [1.754]	9	1744036-9
37.06 [1.459]	39.46 [1.554]	8	1744036-8
31.98 [1.259]	34.38 [1.354]	7	1744036-7
26.9 [1.059]	29.3 [1.154]	6	1744036-6
21.82 [0.859]	24.22 [0.954]	5	1744036-5
16.74 [0.659]	19.14 [0.754]	4	1744036-4
11.66 [0.459]	14.06 [0.554]	3	1744036-3
6.58 [0.259]	8.98 [0.354]	2	1744036-2
DIM B	DIM A	CKT	PART NO.



THIS DRAWING IS A CONTROLLED DOCUMENT.

DWN: R. WHITAKER 07OCT2004  
 CHK: D. BOSSI 07OCT2004  
 APVD: D. BOSSI 07OCT2004

**STE** TE Connectivity

NAME: RECEPTACLE, ECONOMY POWER, .200 CENTERLINE

SIZE: A100779 C=1744036

MATERIAL: NYLON, UL 94V-0 NATURAL

FINISH: -

WEIGHT: -

CUSTOMER DRAWING

SCALE: 4:1 SHEET 1 OF 1 REV P