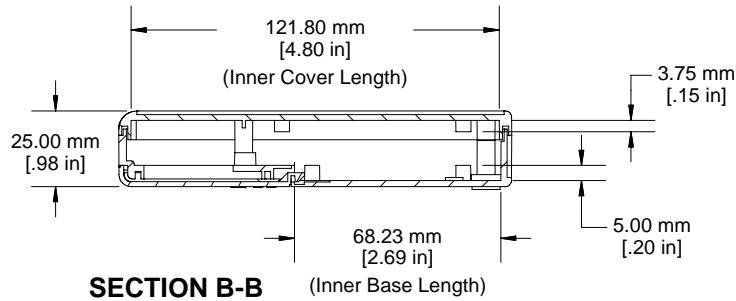
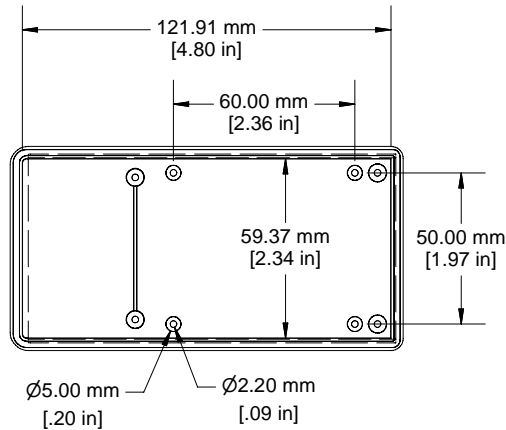
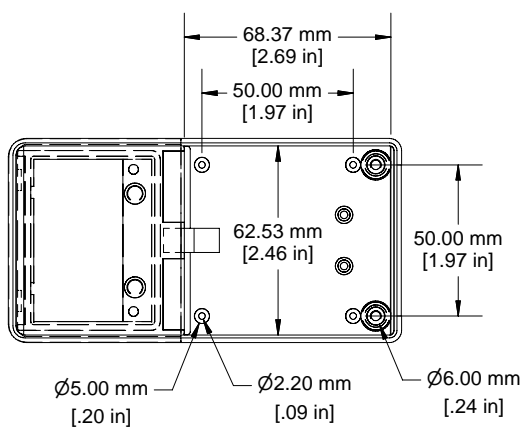
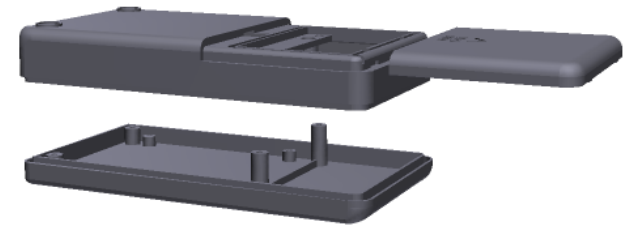


**SECTION A-A**



**SECTION B-B** (Inner Base Length)



Enclosures can be Factory Modified ( Milling, Drilling, Printing etc. )  
 Contact Factory [mjm@hammondmfg.com](mailto:mjm@hammondmfg.com) for quotes  
 Solid models of this enclosure available in STEP or IGES.

PART NUMBERS	
RH3015 Enclosure	
Material: ABS (UL94-HB), Light Gray color	RH3015
Material: ABS (UL94-HB), Black color	RH3011BK
ACCESSORIES	
Lid Screws: M3 x 18	
Circuit Board Screws, 4 Supplied (M2.6 self tap)	
Suggested Lid Screw Torque: 30 ozf-in (21 cN-m)	

**HAMMOND**  
**MANUFACTURING™**  
**RH3015**  
[www.hammondmfg.com](http://www.hammondmfg.com)