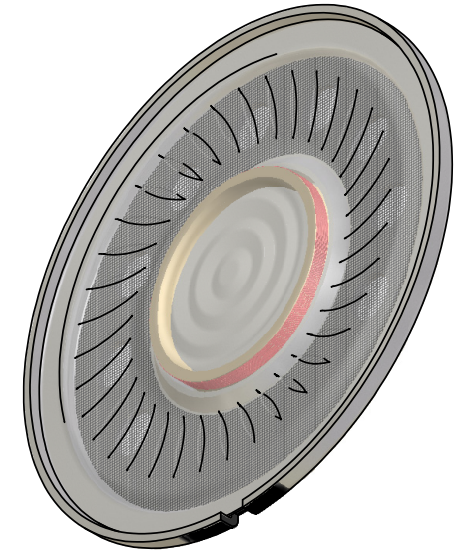
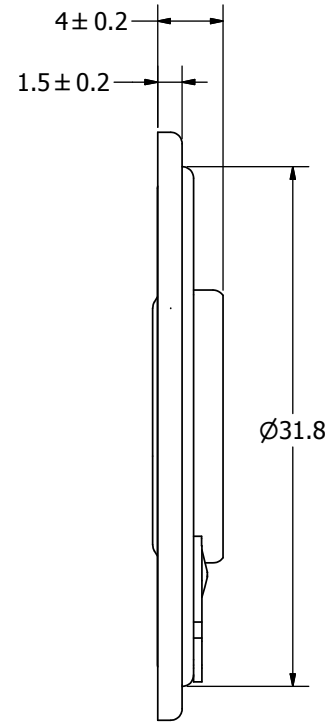
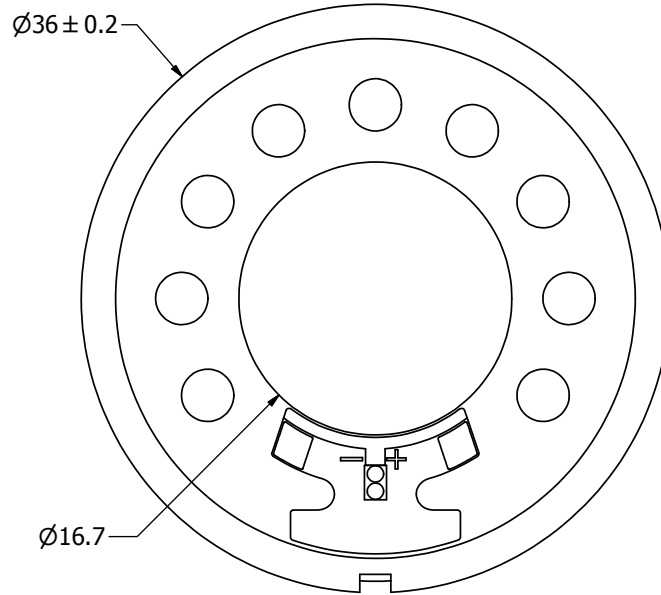


| SPECIFICATIONS | | |
|--------------------------------------|------------|-------|
| PARAMETERS | VALUES | UNITS |
| RATED INPUT POWER | 1 | W |
| MAX INPUT POWER | 1.5 | W |
| IMPEDANCE | 4 ± 15% | OHM |
| OUTPUT SPL @ 1W/0.5M (AT 1.0 kHz) | 83 ± 3 | dBA |
| DISTORTION (MAX.) | 5% | - |
| RESONANT FREQUENCY | 600 ± 20% | Hz |
| FREQUENCY RANGE | 600 ~ 4500 | Hz |
| HOUSING MATERIAL | METAL | - |
| CONE MATERIAL | MYLAR | - |
| MAGNET MATERIAL | Nd-Fe-B | - |
| OPERATING TEMPERATURE | -25 ~ +100 | °C |
| WEIGHT | 5.2 | grams |

THIS DOCUMENT CONTAINS DATA PROPRIETARY TO PROJECTS UNLIMITED, INC. ANY USE OR REPRODUCTION, IN ANY FORM, WITHOUT PRIOR WRITTEN PERMISSION OF PROJECTS UNLIMITED, INC. IS PROHIBITED.
©2003, Projects Unlimited Inc.

| REVISION HISTORY | | | |
|------------------|--|------------|----------|
| LTR | DESCRIPTION | DATE | APPROVED |
| - | RELEASED FROM ENGINEERING | 4/18/2007 | |
| A | REVISED TO INVENTOR 3-D DRAWING TEMPLATE | 11/26/2008 | B.R. |



NOTES:

1. ALL DIMENSIONS ARE IN MILLIMETERS.
2. SPECIFICATIONS SUBJECT TO CHANGE OR WITHDRAWL WITHOUT NOTICE.
3. THIS PART IS RoHS 2002/95/EC COMPLIANT.

| | | | | | | | | | |
|--|-------------------|--|-----------|------------|--|-------------|----------|------------|-------|
| UNLESS OTHERWISE SPECIFIED: DIMENSIONS ARE IN MILLIMETERS, TOLERANCES ARE ±0.5 AND ANGLES ARE ±3°. | SIZE A3 | Designed by | Date | Checked by | Date | Approved by | Date | Drawn Date | |
| | | J.D. | 4/18/2007 | D.F. | 5/1/2007 | R.W. | 5/1/2007 | 11/26/2008 | |
| AS03604MR-R.idw | | <p>pui audio A Division of Projects Unlimited</p> | | | <p>AS03604MR-R</p> <p>Speaker</p> | | | Edition | Sheet |
| | | | | | | | | - | 1 / 1 |